

WARING COMMERCIAL BHL120

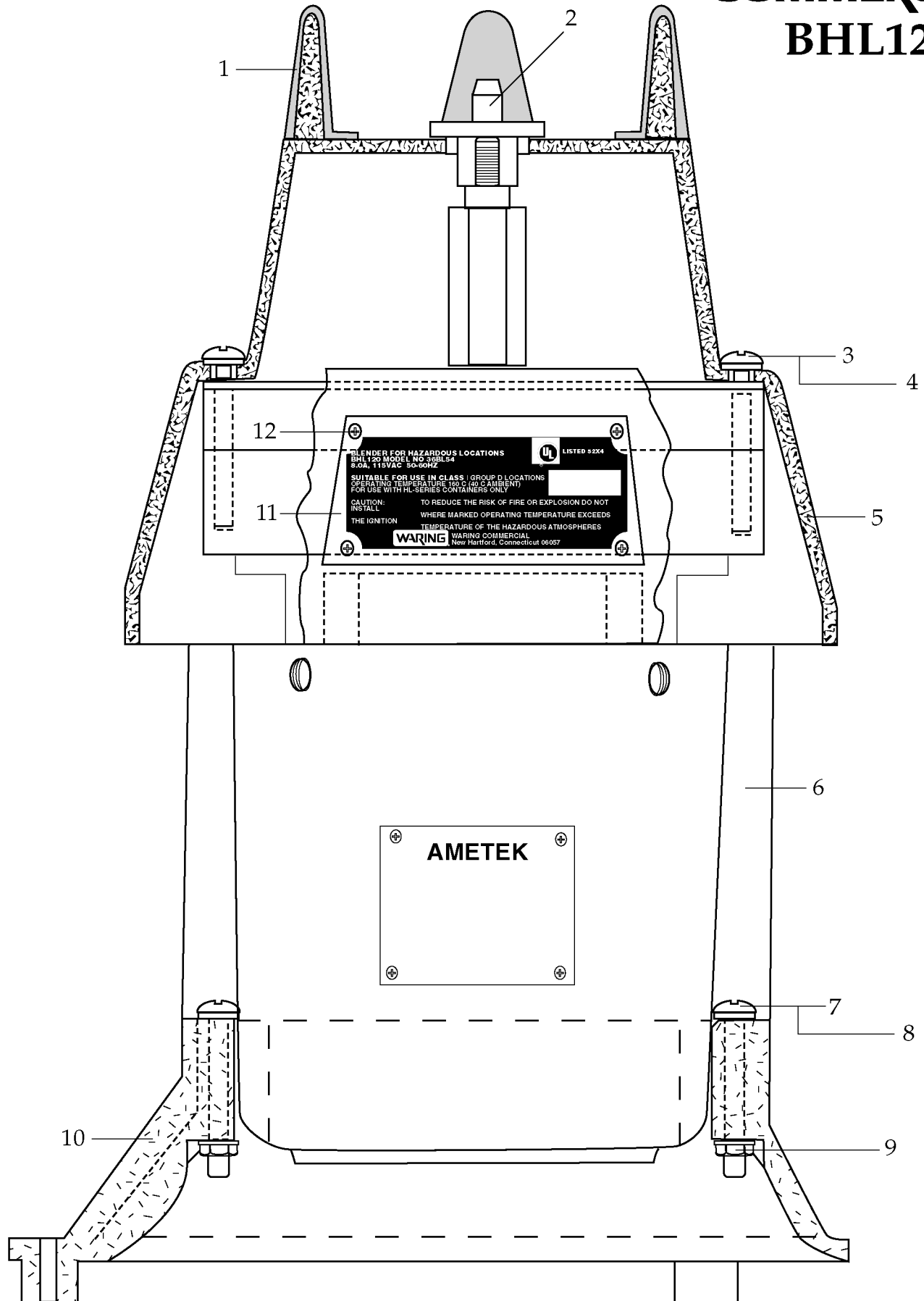
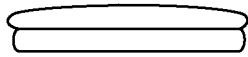


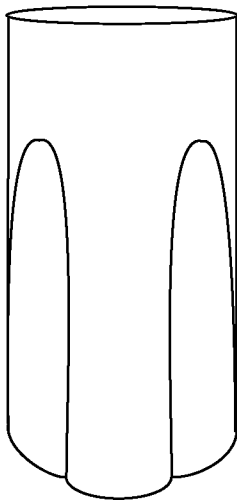
Illustration #	Part #	Description
1	003498	Jar Pad 4 Req.'d
2	501686	Drive Coupling Assy.
3	017202	Washer 4 Req.'d
4	017201	Screw 4 Req.'d
5	017185	Jar Holder Housing
6	017296	Motor
7	017199	Washer 4 Req.'d
8	017200	Screw 4 Req.'d
9	012369	Keps Nut 4 Req.'d
10	017187	Base
11	017224	Name Plate
12	002910	Screw

Parts of 501686 Drive Coupling Assy.
(can be purchased separately)

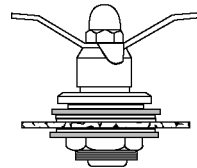
- 003515 - Square Drive Stud
- 003507 - Washer / stainless steel
- 003514 - Slinger
- 017272 - Coupling



003541
 Stainless Steel Lid



HL515
 Container Complete with Lid
 and Blending Assy.



501580
 Blending Assy.

Parts of 501580 Blending Assy.
(can be purchased separately)

- 003504 - Cap Nut
- 003540 - Blade
- 003503 - Bearing Cap
- 005321 - Washer / teflon
- 010012 - Bearing Holder
- 003510 - Washer / fiber
- 003500 - Socket Head Drive Shaft
- 003537 - Washer / stainless steel 3 Req.'d
- 005320 - Washer / teflon 2 Req.'d
- 009724 - Washer / nylon
- 009780 - Hex Nut