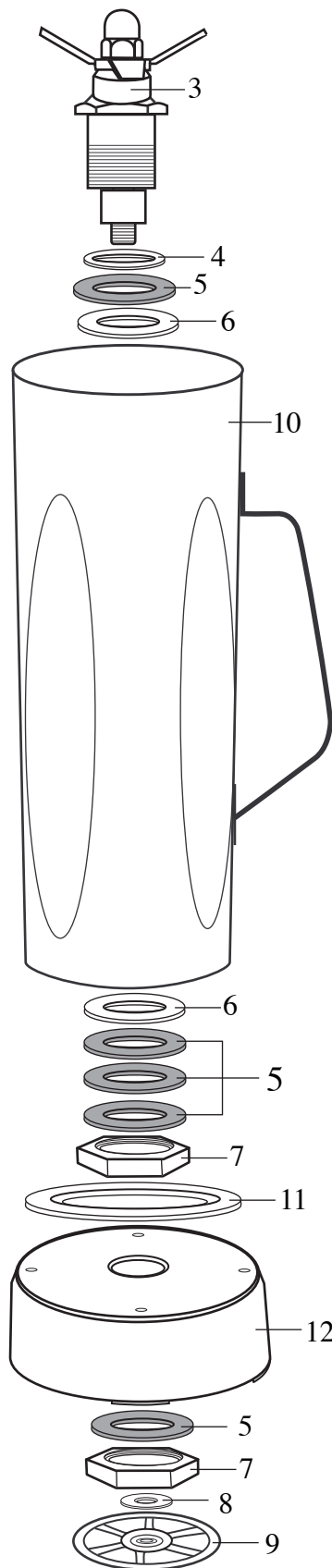


WARING COMMERCIAL[®] CAC31

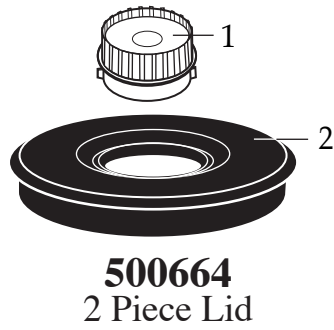
64 Ounce Stainless Steel Container Complete
with Blending Assembly and Lid



503119
Blending Assy.

503079
64 oz. S.S. Container with
Blending Assy.

701402 (older units)
64 oz. S.S. Container with
Blending Assy. & Lid



500664
2 Piece Lid

Illustration #	Part #	Description
1	011700	Center Lid
2	013442	Outer Lid
3	503077	Blade Assy.
4	009724	Washer / nylon
5	003537	Washer / stainless steel 5 Req.'d
6	003509	Washer / neoprene (rubber) 2 Req.'d
7	009780	Hex Nut / left handed thread 2 Req.d
8	003507	Washer / stainless steel
9	014014	Drive Coupling (wagon wheel)
10	007540	Container / 64 oz. stainless steel
11	014915	Base Gasket
12	014914	Container Base