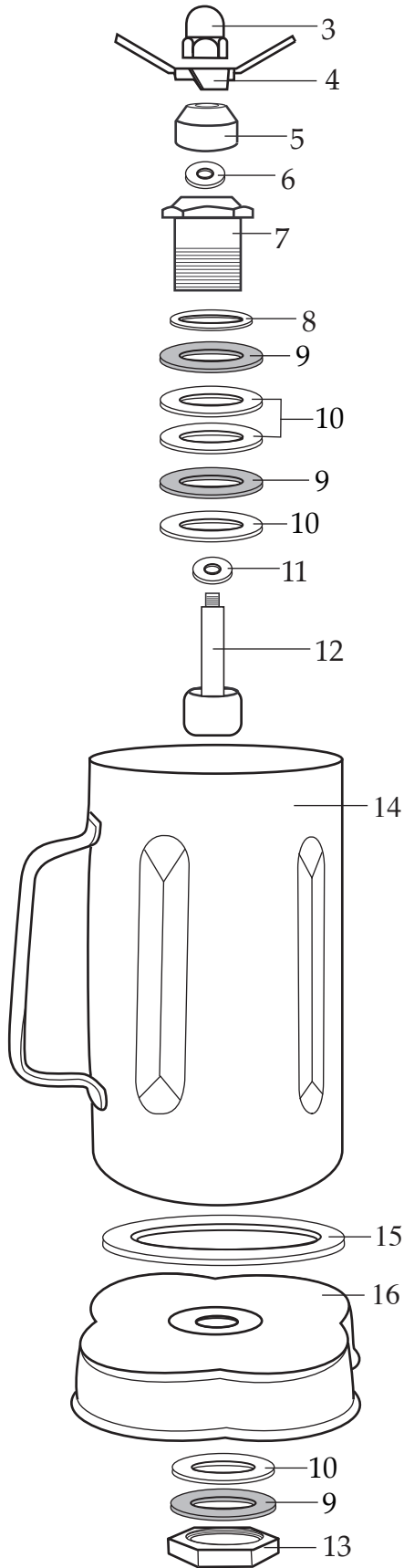
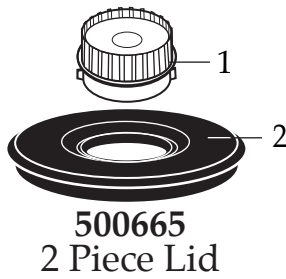


# WARING COMMERCIAL CAC33

32 Ounce Stainless Steel Container Complete  
with Square Drive Blending Assembly and Lid



**500339**  
Stainless Steel Container  
with Blending Assy.

**500778**  
Blending Assy.

Illustration #	Part #	Description
1	011700	Center Lid
2	013443	Outer Lid
3	003504	Cap Nut
4	024224	Blade
5	003503	Bearing Cap
6	003508	Washer / fairprene
7	010012	Bearing Holder
8	009724	Washer / nylon
9	003537	Washer / stainless steel 3 Req.'d
10	003509	Washer / neoprene (rubber) 4 Req.'d
11	003510	Washer / bakelite
12	003500	Drive Shaft
13	009780	Hex Nut
14	012860	Stainless Steel Container
15	009762	Gasket
16	015055	Container Adapter