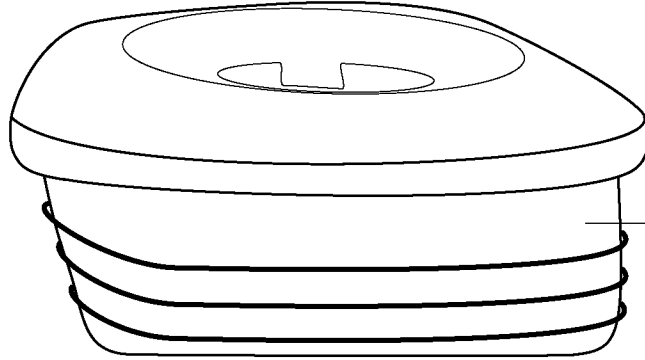
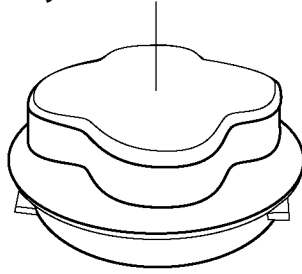


WARING
COMMERCIAL

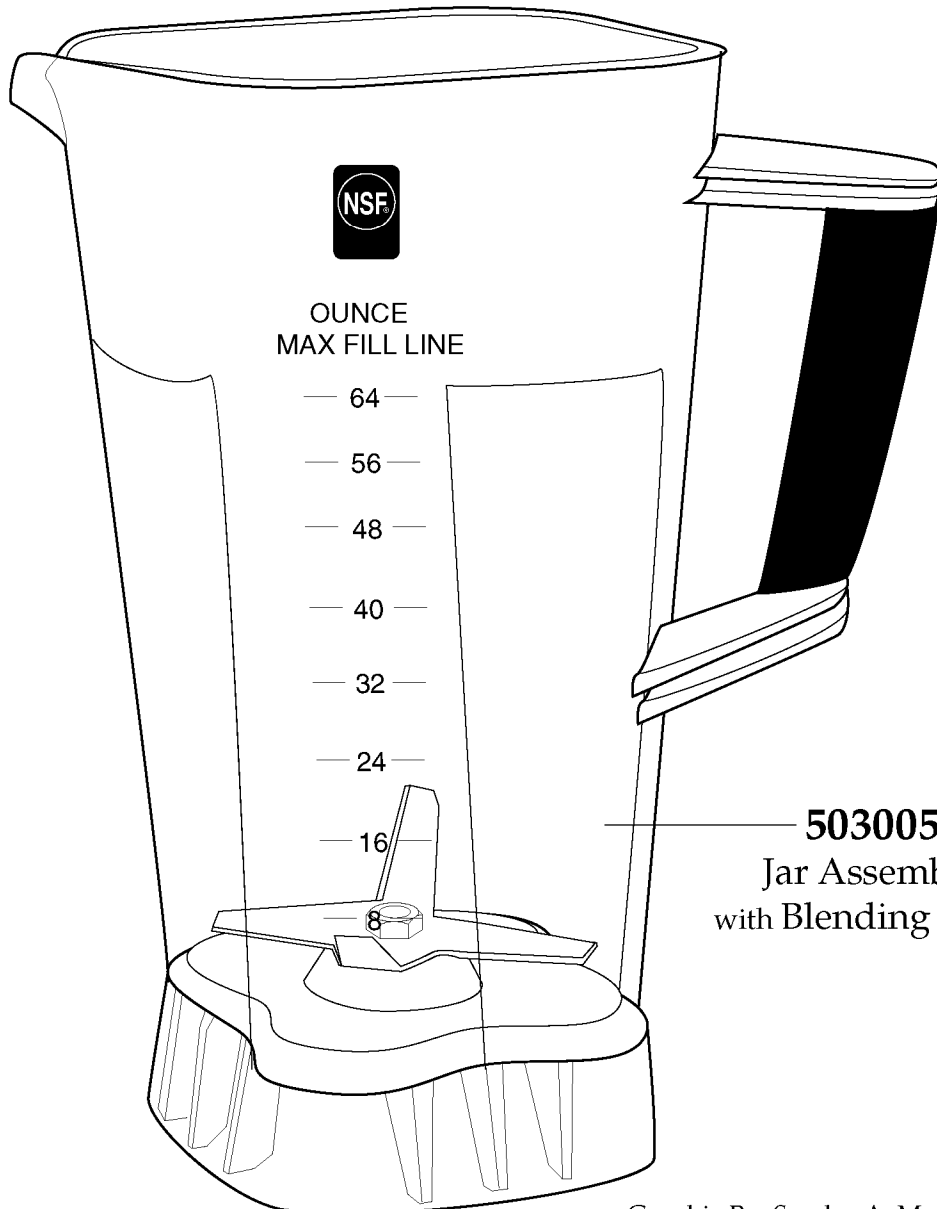
CAC89

64 Ounce Polycarbonate Container with Lid
for MX Series Blenders

026425
Jar Lid Cover



026424
Jar Lid



503005
Jar Assembly
with Blending Assy.

NSF
OUNCE
MAX FILL LINE

— 64 —
— 56 —
— 48 —
— 40 —
— 32 —
— 24 —
— 16 —
— 8 —