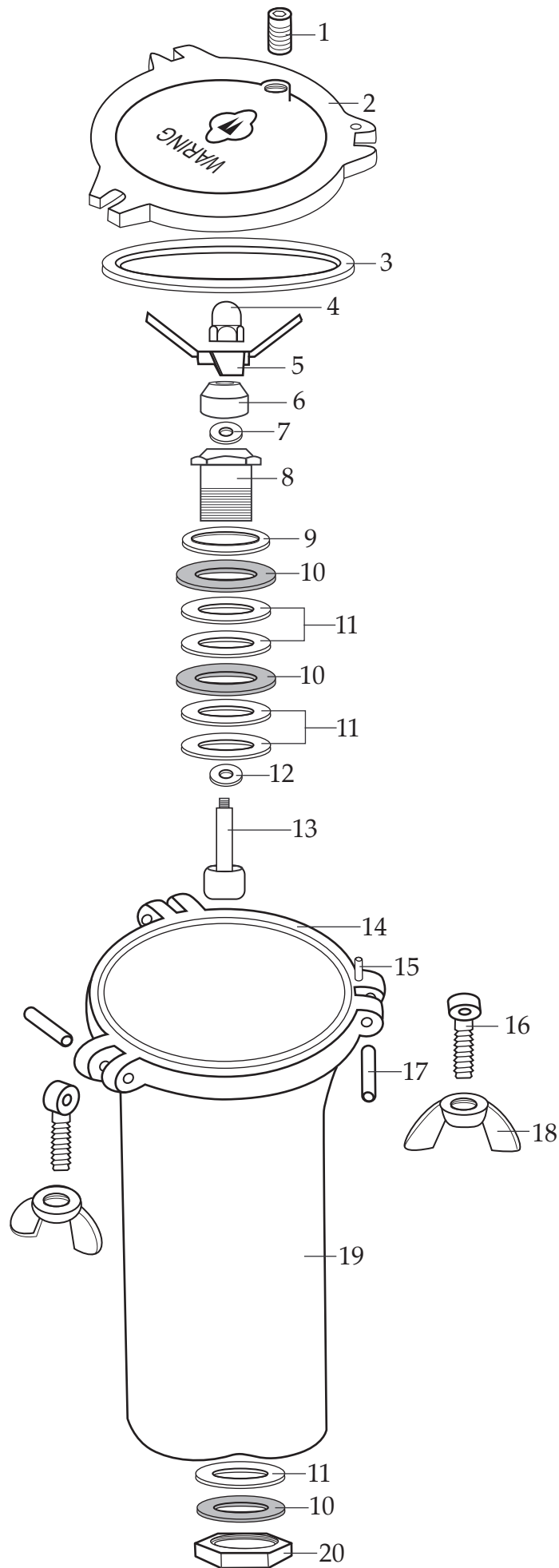


**WARING**  
**COMMERCIAL**

**SS510S**

1 Liter Sealed Cover Container



| <b>Illustration #</b> | <b>Part #</b> | <b>Description</b>               |
|-----------------------|---------------|----------------------------------|
| 1                     | 003417        | Pipe Plug                        |
| 2                     | 011516        | Cover                            |
| 3                     | 003416        | Sealing Ring (gasket)            |
| 4                     | 003504        | Cap Nut                          |
| 5                     | 003540        | Blade                            |
| 6                     | 003503        | Bearing Cap                      |
| 7                     | 003508        | Washer /nitrile                  |
| 8                     | 010012        | Bearing Holder                   |
| 9                     | 009724        | Washer /nylon                    |
| 10                    | 003537        | Washer /stainless steel 3 Req.'d |
| 11                    | 003509        | Washer /neoprene 5 Req.'d        |
| 12                    | 003510        | Washer                           |
| 13                    | 003500        | Shaft                            |
| 14                    | 011518        | Stainless Steel Container Collar |
| 15                    | 003434W       | Locating Pin                     |
| 16                    | 003415        | Eye Bolt 3 Req.'d                |
| 17                    | 003414        | Hinge Pin 3 Req.'d               |
| 18                    | 003413        | Wing Nut 3 Req.'d                |
| 19                    | 019820        | One Quart Container              |
| 20                    | 009780        | Hex Nut                          |

### **Assembly**

4 - 13 and 20      003548      Blending Assy.