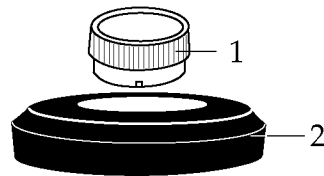


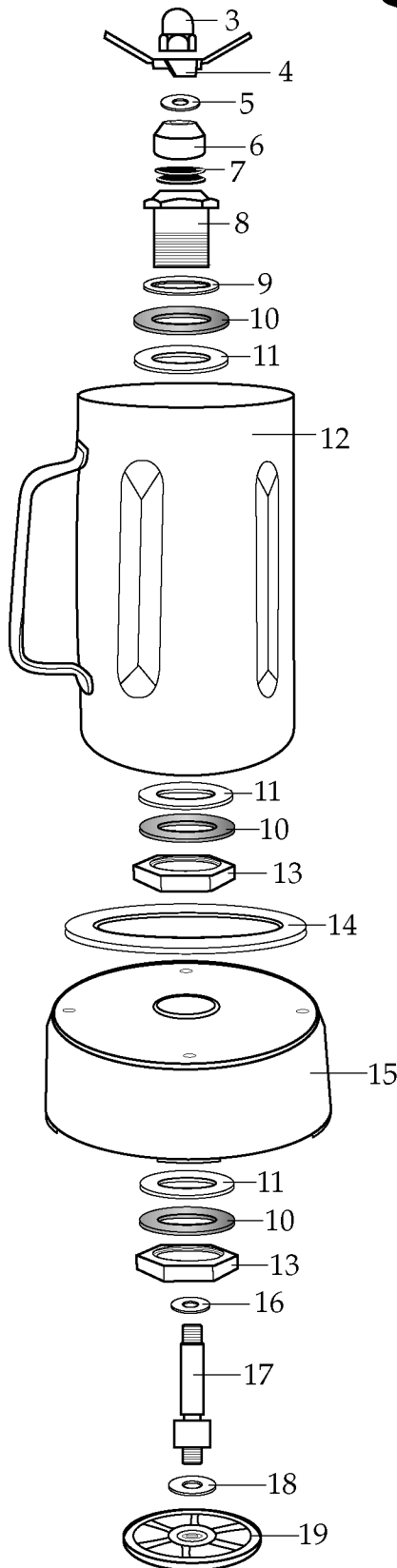


SS715

32 Ounce Stainless Steel Container for HGB Base
Complete with Blending Assy. and Lid



500665
2 Piece Lid



503109 (current production)
Blending Assy.

501183 (older units)
Blending Assy.

Illustration#	Part#	Description
1	011700	Center Lid
2	013443	Outer Lid
3	027862	Cap Nut (current production)
	003504	Cap Nut (older units)
4	024203	Blade
5	003609	Washer /stainless steel
6	027859	Bearing Cap (current production)
	013405	Bearing Cap (older units)
7	027716	V Seal (current production)
	002903	Washer (older units)
8	503073	Bearing Holder (current production)
	500581	Bearing Holder (older units)
9	009724	Washer /nylon
10	003537	Washer /stainless steel
11	003509	Washer /neoprene (rubber)
12	012860	Stainless Steel Container
13	009780	Hex Nut
14	009762	Gasket
15	014914	Container Base
16	003526	Washer /phenolic
17	027858	Drive Shaft (current production)
	014013	Drive Shaft (older units)
18	003507	Washer /stainless steel
19	014014	Drive Coupling (wagon wheel)