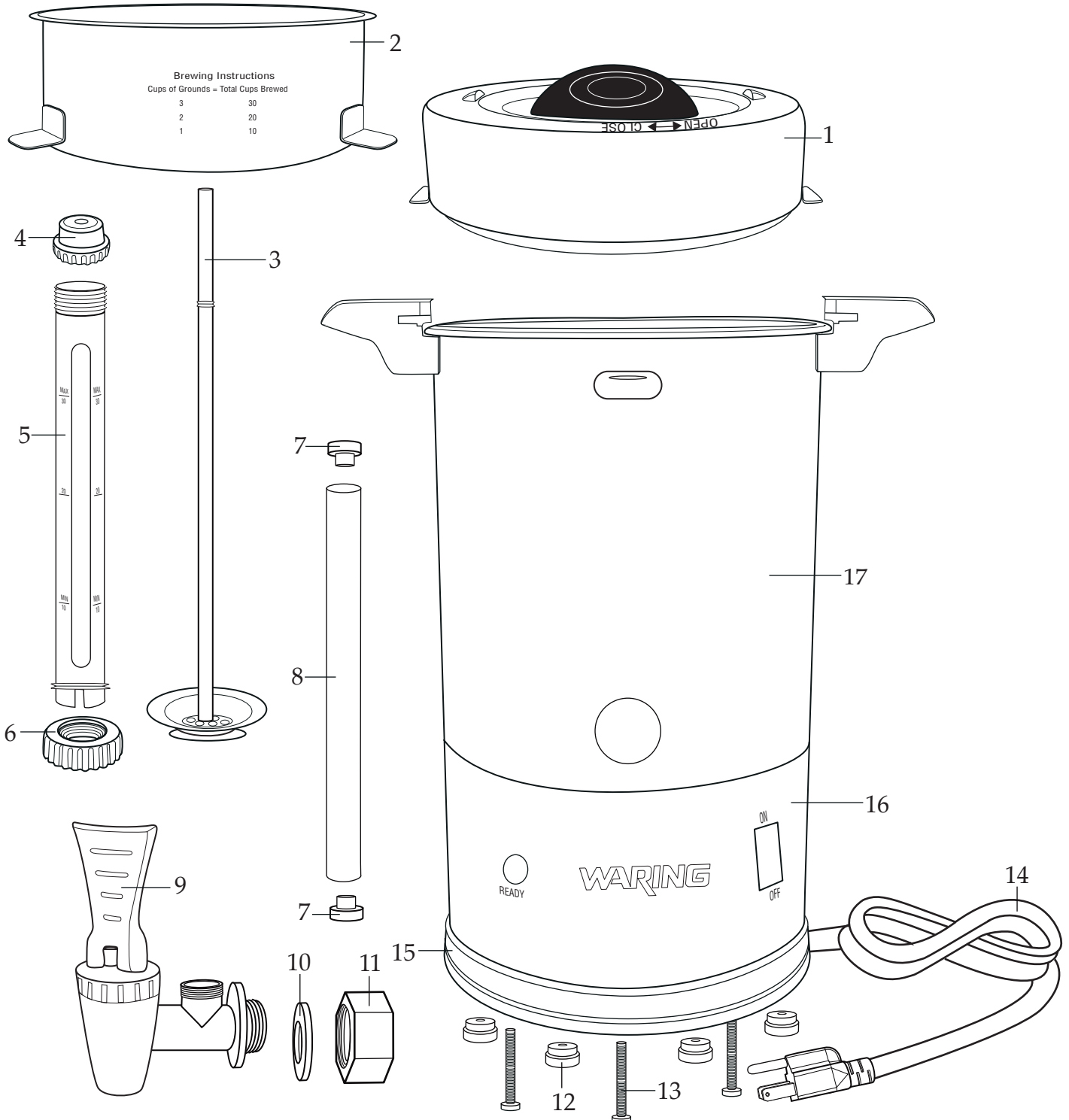


Unit Information

120 volts - 1500 watts

Dual heater system for brewing and keep warm at optimal temperatures

Boil dry protection with auto reset

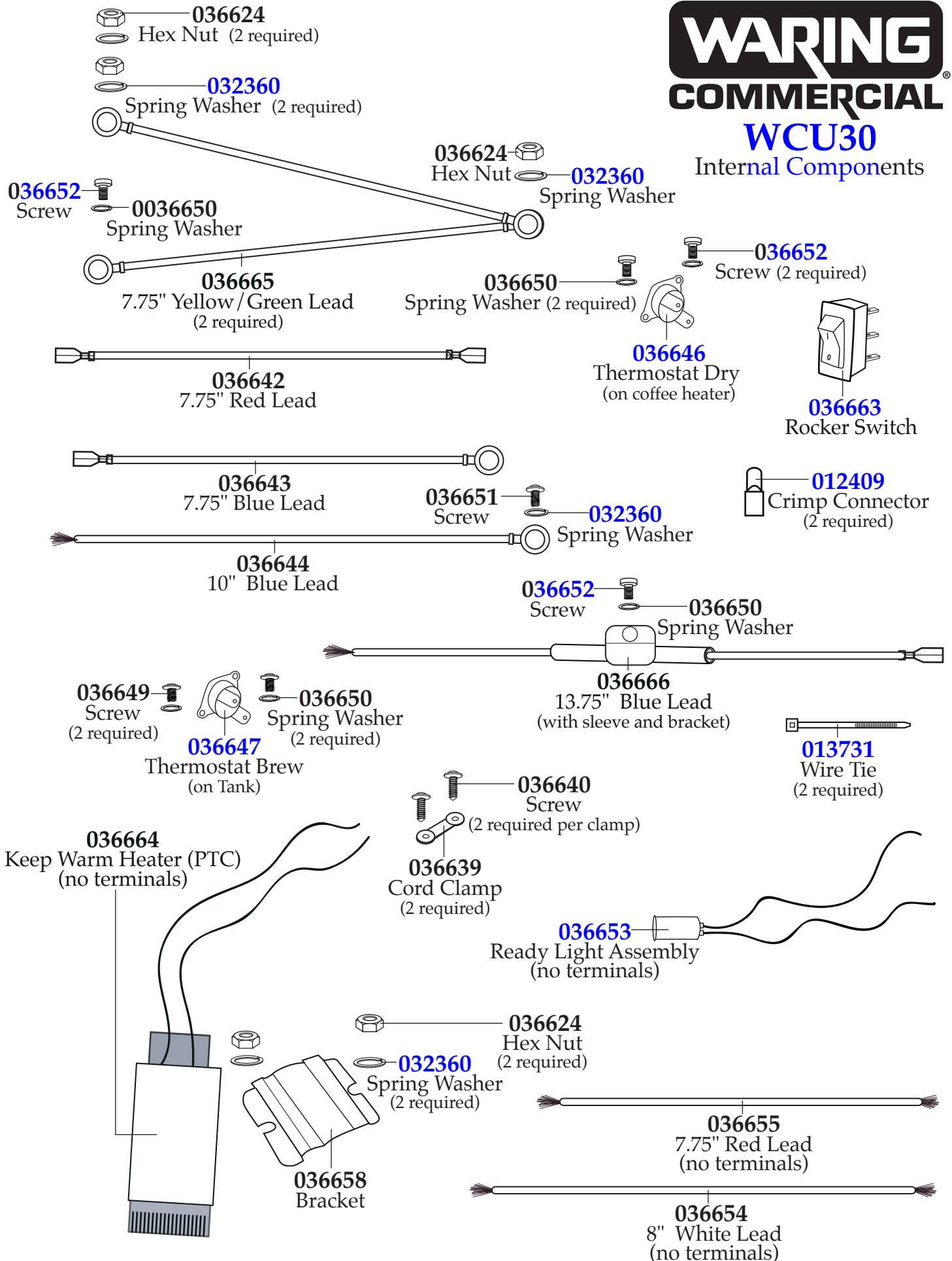


036421
WCU30 Unit

WARING COMMERCIAL

WCU30

Internal Components



Illustration#	Part#	Description
1	036410	Cover
2	036411	Coffee Basket
3	036412	Percolator Tube
4	036413	Water Gauge Cover
5	036414	Water Gauge Tube
6	036422	Water Gauge Tube Collar
7	036415	Glass Tube Seal (2 required)
8	036416	Glass Tube
9	036417	Spigot
10	036418	Spigot Seal
11	036419	Spigot Nut
12	036420	Feet (4 required)
13	036635	Screw (3 required)
14	036638	Cord
15	036661	Tank Base
16	036662	Tank Skirt
17	036660	Tank (comes with coffee heater, handles and sight glass bracket)

Note: Use Thermal Grease with Thermostat (dry),
Thermostat (brew) and Keep Warm Heater.