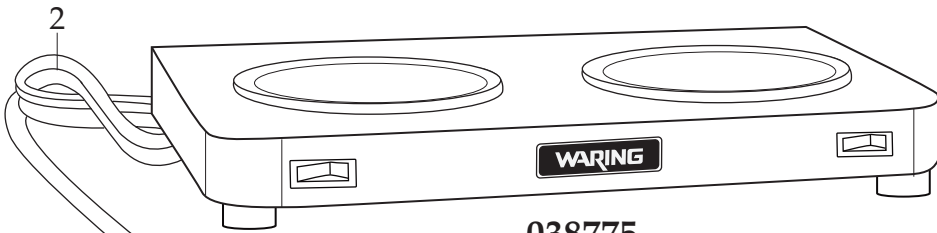
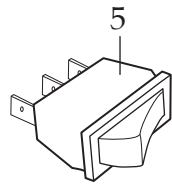
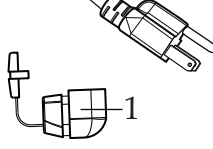




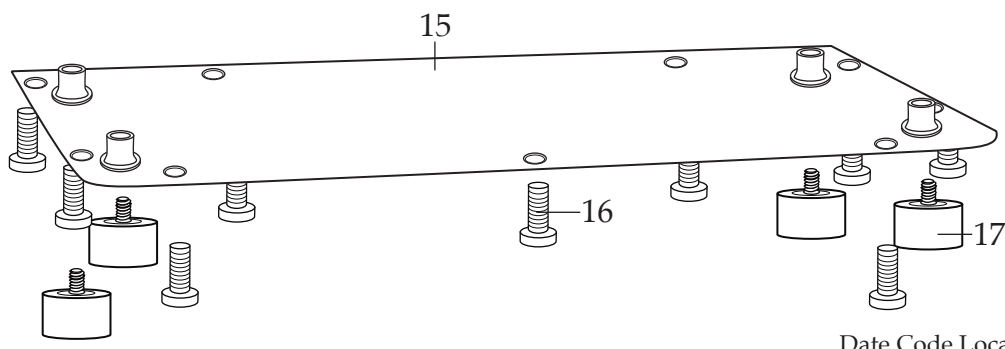
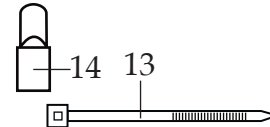
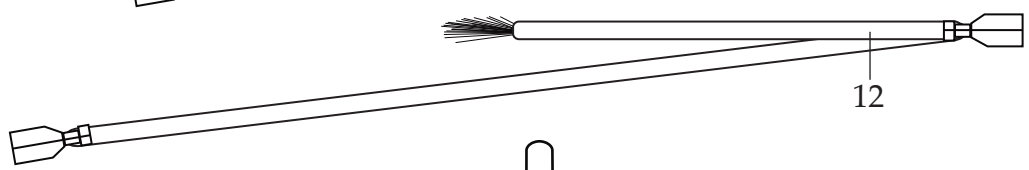
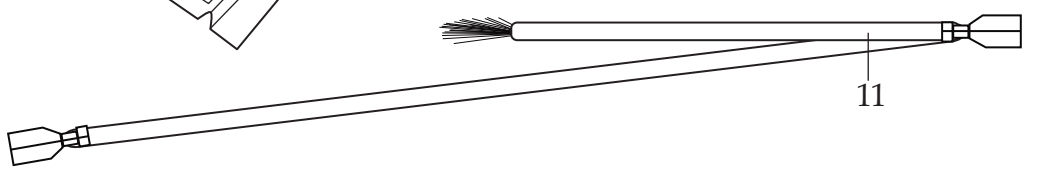
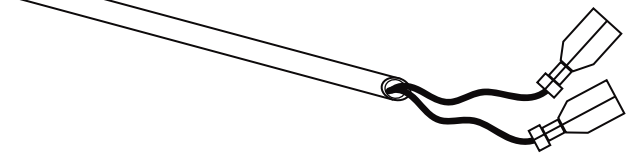
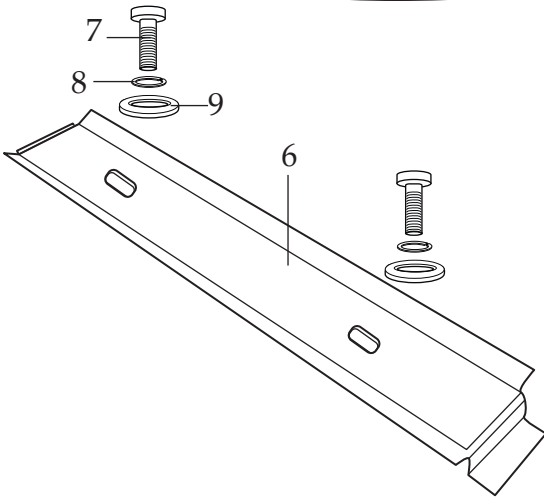
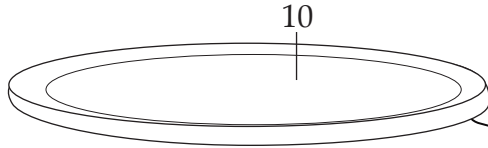
Double Burner Coffee Warmer WCW20



038775
WCW20 Unit



Unit Information		
120 volts	60Hz	140 watts
Self regulating warmers to prevent overheating		
Warranty 2 years parts and 1 year labor		



WARING COMMERCIAL	
TORRINGTON, CT 06790	
DOUBLE BURNER COFFEE WARMER /	
PLAQUE CHAUFFANTE DOUBLE POUR CAFETIÈRE	
MODEL / MODÈLE: WCW20	
120VAC 60Hz 140W	
MADE IN CHINA / FABRIQUÉ EN CHINE	
APPROVED FOR COMMERCIAL USE /	
USAGE COMMERCIAL AUTORISÉ	
CAUTION: DO NOT IMMERSE IN LIQUID /	
ATTENTION: NE PAS PLONGER DANS L'EAU	
D/C: WWYY	

Date Code Location →
WWYY
(week week year year)

Illustration#	Part#	Description
1	037950	Strain Relief
2	037949	Cord
3	037945	Lock Washer
4	037944	Hex Nut
5	037948	Rocker Switch (2 required)
6	037938	Bracket (2 required)
7	037941	Screw (2 required per each bracket)
8	037946	Spring Washer (2 required per each bracket)
9	037947	Washer (2 required per each bracket)
10	038780	Heating Plate (2 required)
11	037939	16" Brown Lead Assembly
12	037940	16" Blue Lead Assembly
13	013731	Wire Ties (2 required)
14	012409	Crimp Connector (2 required)
15	038779	Bottom Plate
16	037941	Screw (9 required)
17	037942	Foot (4 required)