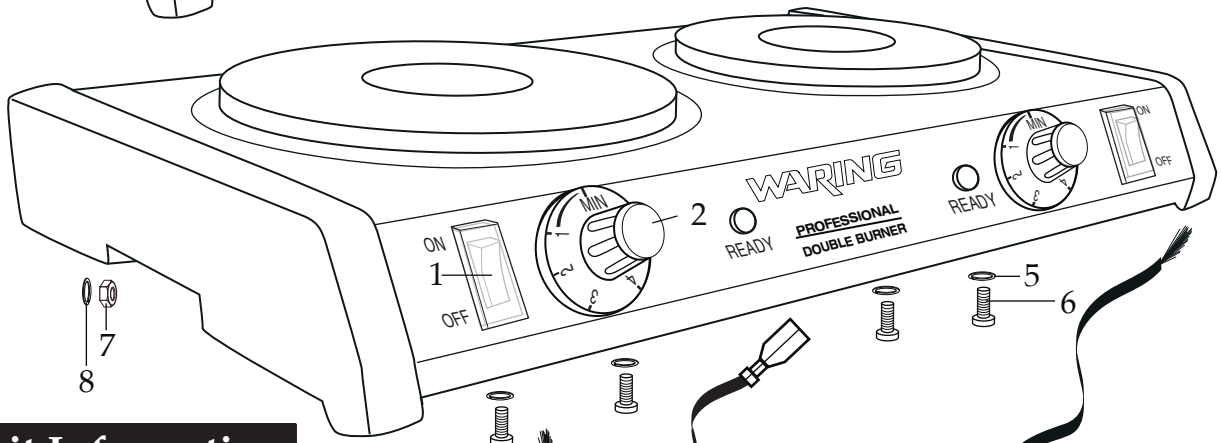


# WARING COMMERCIAL

## Double Burner with Toggle Switch WDB600



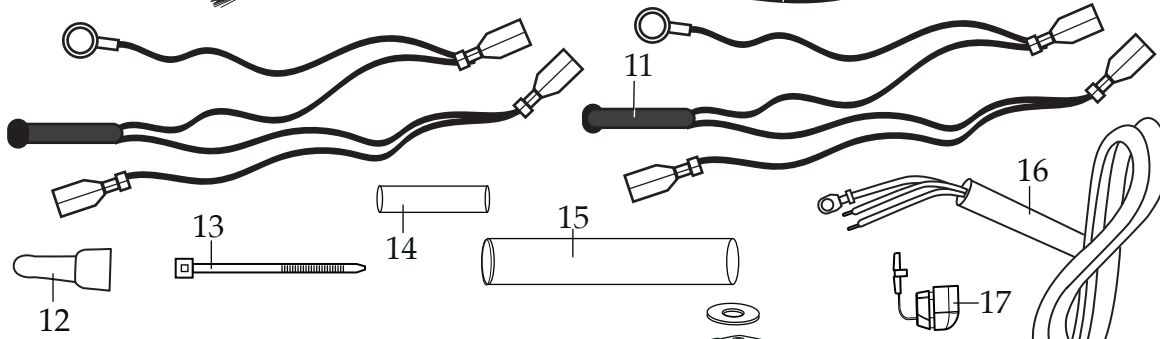
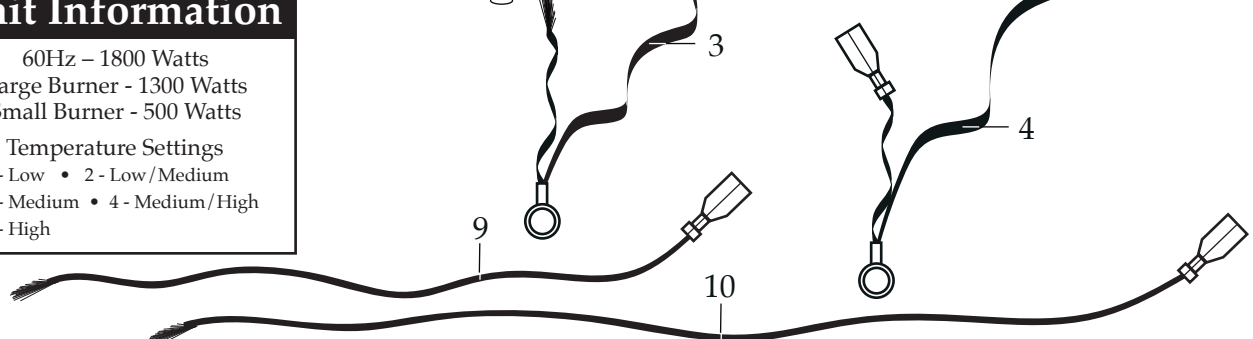
**037479**  
WDB600 Base Unit



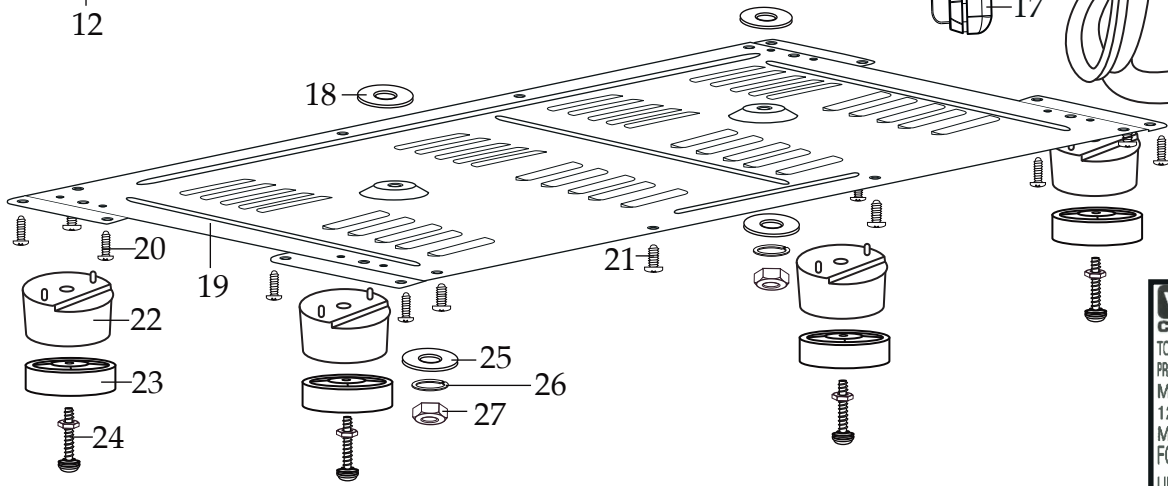
**Unit Information**

60Hz - 1800 Watts  
 Large Burner - 1300 Watts  
 Small Burner - 500 Watts

Temperature Settings  
 1 - Low • 2 - Low/Medium  
 3 - Medium • 4 - Medium/High  
 5 - High



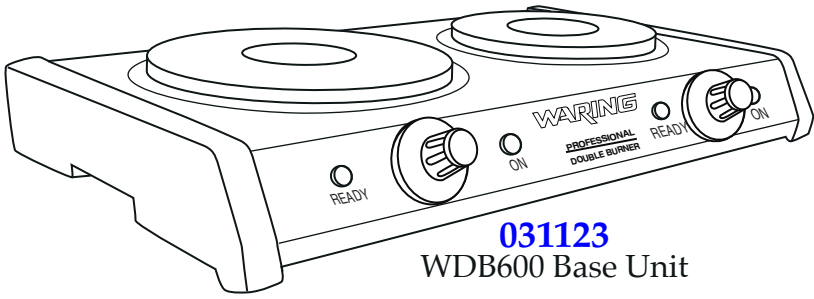
NEMA 5-15



Date Code Location  
 YY|MM|DD  
 year|year|month|month|day|day

**WARING COMMERCIAL** **LISTED**  
 TORRINGTON, CT 06790  
 PROFESSIONAL DOUBLE BURNER 4H03  
 MODEL : WDB600  
 120V AC 60Hz 1800W  
 MADE IN CHINA  
 FOR COMMERCIAL USE ONLY  
 UNPLUG BEFORE CLEANING  
 DO NOT IMMERSE IN WATER

<b>Illustration#</b>	<b>Part#</b>	<b>Description</b>
1	037470	Toggle Switch (2 required)
2	037471	Knob (2 required)
3	037472	14" Blue Double Lead Assembly
4	037473	26" Blue Double Lead Assembly
5	031118	Heating Element Spring Washer (4 required)
6	031117	Heating Element Screw (4 required)
7	031115	Ground Lead Nut
8	031116	Ground Lead Spring Washer
9	037474	12.25" Brown Lead Assembly
10	037475	27.5" Brown Lead Assembly
11	037476	Green Ready Light with White Lead Assembly (2 required)
12	019123	Crimp Connector (2 required)
13	013731	Wire Ties (5 required)
14	037477	Small Rubber Sleeve (7 required)
15	037478	Large Rubber Sleeve
16	031104	Cord
17	031103	Strain Relief
18	031112	Center Burner Shaft Washer (2 required before bottom plate)
19	031129	Bottom Plate
20	031108	Screw (8 required)
21	031109	Screw (8 required)
22	031120	Plastic Feet (4 required)
23	031106	Rubber Feet (4 required)
24	031107	Screw & Washer Set (4 required comes with screw, 3 washers, 1 spring washer and 1 nut)
23	031112	Center Burner Shaft Washer (2 required after bottom plate)
24	031111	Center Burner Shaft Spring Washer (2 required after bottom plate)
25	031110	Center Burner Shaft Nut (2 required after bottom plate)



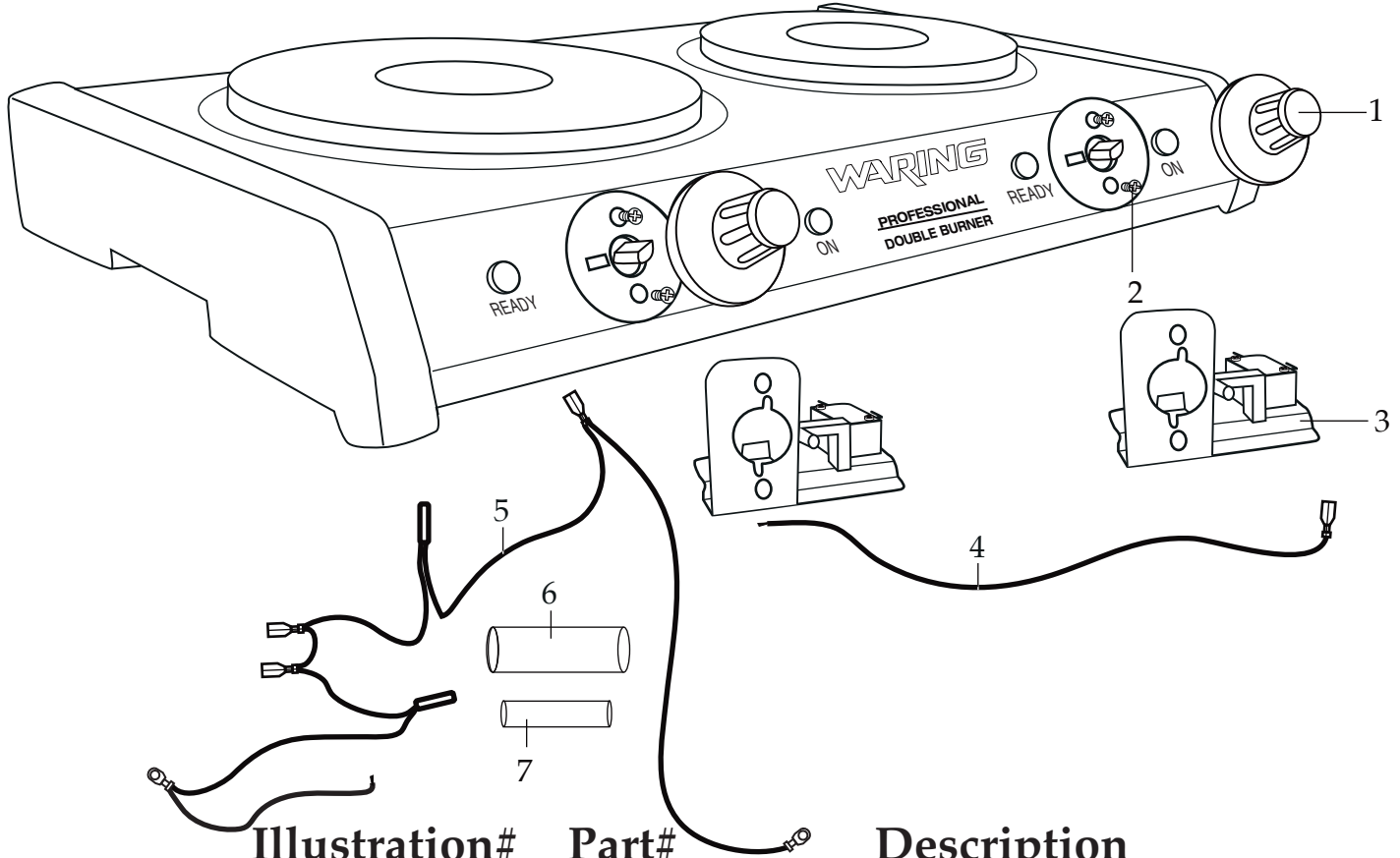
**031123**  
WDB600 Base Unit



Double Burner with Green Ready Light  
and Red On Light

**WDB600**

(parts listed below are different from the current model)



Illustration#	Part#	Description
1	031098	Knob (2 required)
2	031109	Screw (4 required)
3	031100	Bracket with Micro Switch (2 required)
4	031125 031126	22" Red Lead (small burner side) 14" Red Lead (large burner side)
9	031127 031128	7 Lead Set (small burner side) 7 Lead Set (large burner side)
10	031124	Connector Sleeve (2 required)
11	031113	Lead Sleeve (4 required)

Wiring Diagram  
(for the Above Unit)

