

Unit Information

Limited 1 Year Warranty

50-60Hz – 800 Watts – 6 Amps.

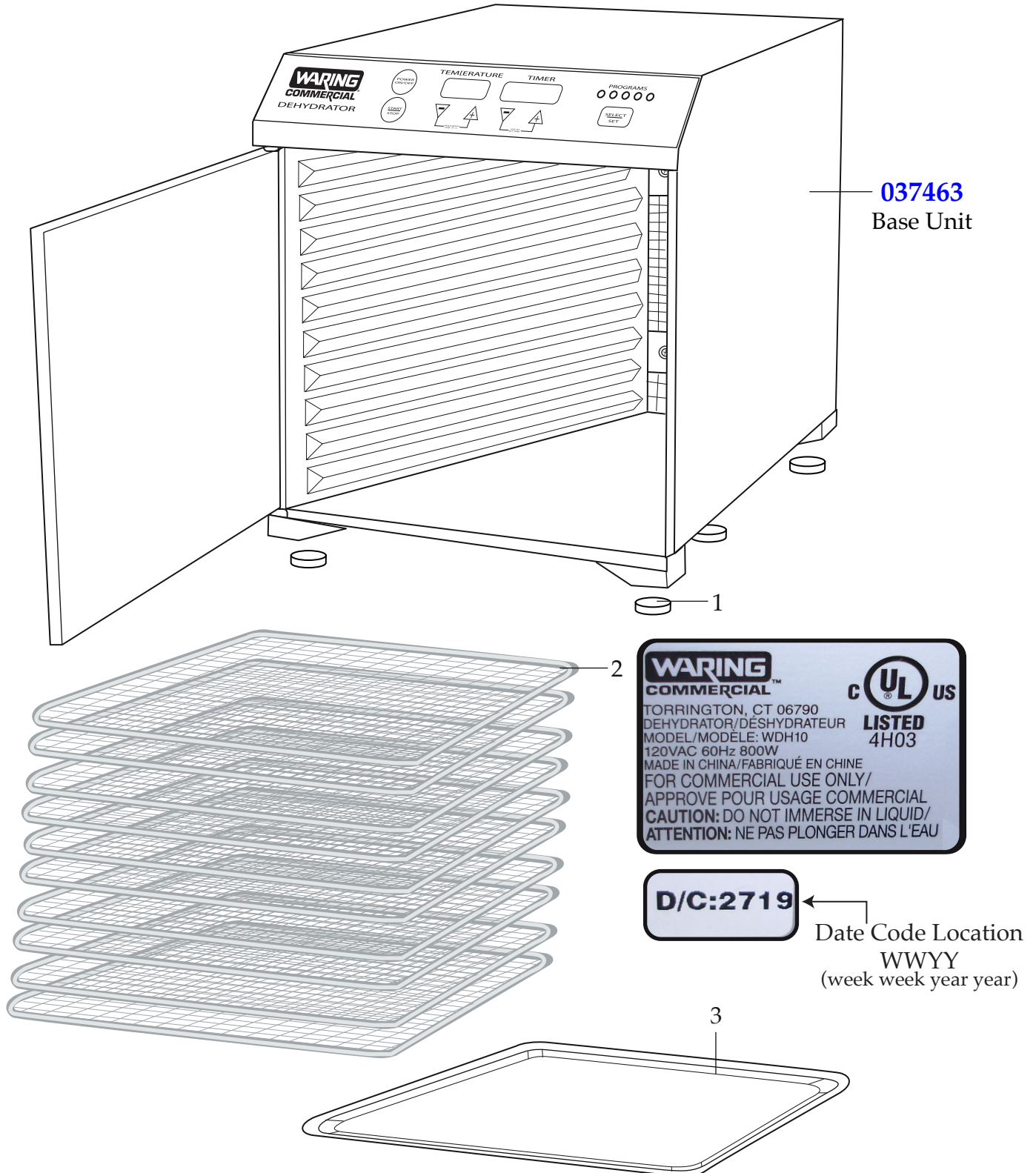
Adjustable Temperature Range
90°F - 176°F (32°C - 80°C)

Timer Up To 40 Hours

WARING COMMERCIAL

10 Tray Food Dehydrator

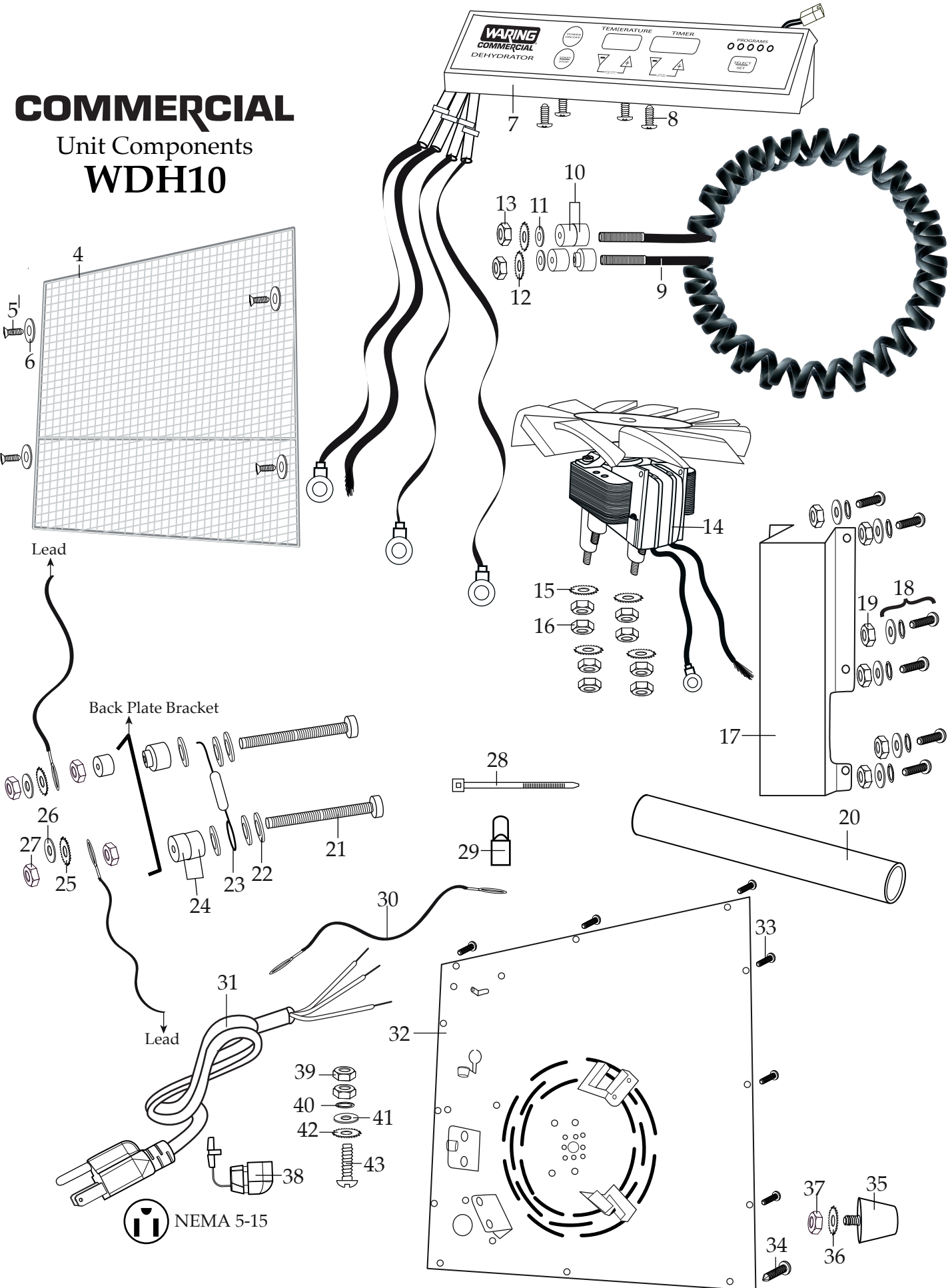
WDH10



COMMERCIAL

Unit Components

WDH10



| Illustration# | Part# | Description |
|----------------------|--------------|--|
| 1 | 037448 | Foot (4 required) |
| 2 | 037462 | Drying Tray (10 required) |
| 3 | 037461 | Drip Tray |
| 4 | 037441 | Rear Screen |
| 5 | 037449 | Screw (4 required) |
| 6 | 003507 | Washer (4 required) |
| 7 | 037439 | Control Panel Assembly |
| 8 | 037440 | Screw (4 required) |
| 9 | 038300 | Heater |
| 10 | 037455 | Ceramic Insulator Set (2 required) |
| 11 | 037458 | Washer (2 required) |
| 12 | 037454 | Lock Washer (2 required) |
| 13 | 037453 | Hex Nut (2 required) |
| 14 | 038299 | Motor |
| 15 | 037454 | Lock Washer (4 required) |
| 16 | 037453 | Hex Nut (8 required) |
| 17 | 037442 | Wiring Cover |
| 18 | 037443 | Screw, Washer and Spring Washer (6 required) |
| 19 | 037453 | Hex Nut (6 required) |
| 20 | 037446 | 6" Rubber Sleeve |
| 21 | 037457 | Screw (2 required) |
| 22 | 037458 | Washer (6 required) |
| 23 | 038303 | Thermal Cut Off |
| 24 | 037455 | Ceramic Insulator Set (2 required) |
| 25 | 037454 | Lock Washer (2 required) |
| 26 | 037458 | Washer (2 required) |
| 27 | 037453 | Hex Nut (4 required) |
| 28 | 013731 | Wire Ties (5 required) |
| 29 | 012409 | Small Crimp Connector |
| 30 | 038302 | Blue Lead Assembly |
| 31 | 037460 | Cord |

| Illustration# | Part# | Description |
|----------------------|------------------------|----------------------|
| 32 | 037464 | Back Plate Assembly |
| 33 | 037452 | Screw (9 required) |
| 34 | 037451 | Screw (3 required) |
| 35 | 037447 | Counter Stop |
| 36 | 037454 | Lock Washer |
| 37 | 037453 | Hex Nut |
| 38 | 035476 | Strain Relief |
| 39 | 037453 | Hex Nut (2 required) |
| 40 | 037444 | Spring Washer |
| 41 | 037458 | Washer |
| 42 | 037454 | Lock Washer |
| 43 | 038304 | Ground Screw |