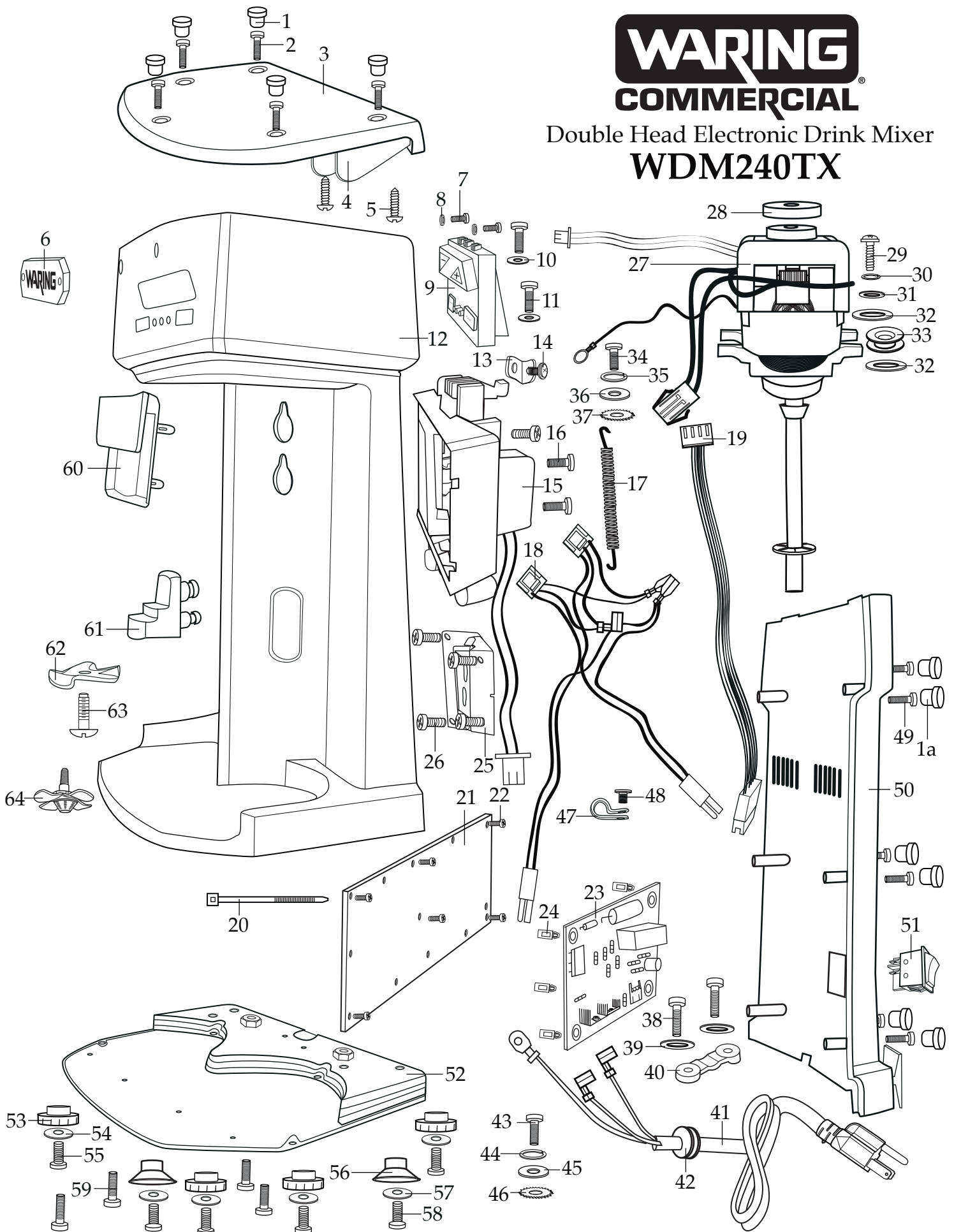


# WARING COMMERCIAL

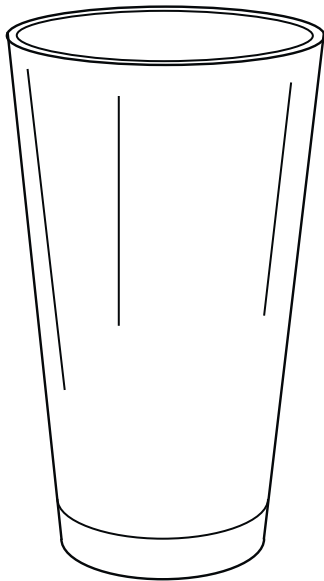
## Double Head Electronic Drink Mixer WDM240TX



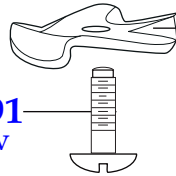
Illustration#	Part#	Description
1	037532	Hole Plugs (4 required)
1a	037532	Hole Plugs (6 required)
2	033901	Screw (4 required)
3	037644	Top Cover with Air Guards
4	037126	Air Guards (2 required per unit)
5	033886	Screw (2 required per air guard)
6	030689	Name Plate
7	030691	Screw (2 required)
8	030690	Washer (2 required)
9	037535	Control Panel (2 required)
10	037536	Fiber Washer (2 required per control panel)
11	030706	Screw (2 required per control panel)
12	037645	Housing with Name Plate
13	037654	Bracket
14	037655	Screw
15	037648	Actuator Switch Assembly (2 required)
15a	037649	Actuator Switch Bracket (2 required)
16	030706	Screw (3 required per switch assembly)
17	037539	Spring (1 required per switch assembly)
18	037647	Lead Harness
19	037540	Lead Tape (2 required)
20	013791	Wire Ties (6 required)
21	037542	Power Board Holder (2 required)
22	037543	Screw (6 required per power board holder)
23	037544	Power Board (2 required)
24	033881	Press Lock Stand Offs (4 required per power board)
25	037650	Cup Support Bracket (2 required)
25a	037651	Cup Support Locking Assembly (2 required)
26	030706	Screw (4 required per cup support locking assembly)
27	037547	Motor (2 required)
28	030694	Top Motor Mount (1 per motor)
29	037548	Screw - sems (2 required per motor)

<b>Illustration#</b>	<b>Part#</b>	<b>Description</b>
30	030714	Spring Washer (2 required per motor)
31	030696	Washer (2 required per motor)
32	033697	Large Washer (4 required per motor)
33	030697	Side Motor Mounts (2 required per motor)
34	030706	Screw (1 required per motor)
35	030714	Spring Washer (1 required per motor)
36	037549	Washer (1 required per motor)
37	030707	Lock Washer (1 required per motor)
38	037550	Screw (2 required)
39	030696	Washer (2 required)
40	033666	Cord Clamp
41	037551	Cord
42	031984	Strain Relief
43	033901	Screw (cord ground)
44	030714	Spring Washer
45	030696	Washer
46	030707	Lock Washer
47	036039	Lead Clamp (2 required)
48	037653	Screw (2 required)
49	033901	Screw (6 required)
50	037652	Back Plate
51	037553	On/Off Rocker Switch
52	037646	Bottom Plate with Weights
53	030046	Feet (4 required)
54	030696	Washer (4 required)
55	030706	Screw (4 required)
56	030719	Suction Cup Feet (2 required)
57	030696	Washer (2 required)
58	030706	Screw (2 required)
59	033901	Screw (4 required)
60	037555	Cup Actuator (2 required)
61	037556	Cup Support (2 required)

Illustration#	Part#	Description
62	030716	Solid Disk Agitator
63	029291	Screw
64	029292	Butterfly Agitator

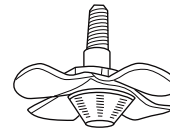


**030883**  
Container

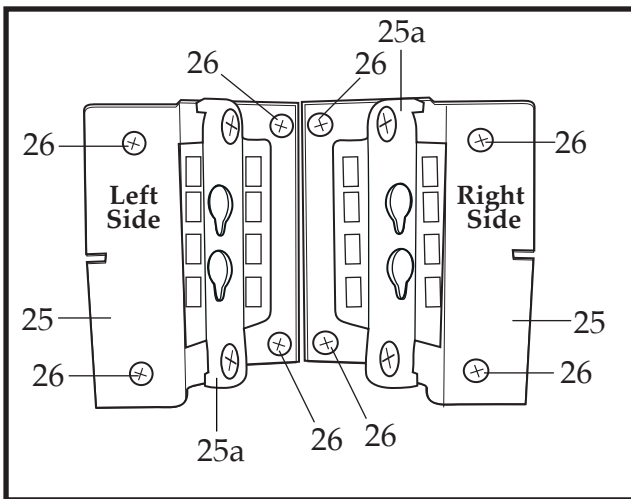


**030716**  
Solid Agitator  
(hard ice cream)

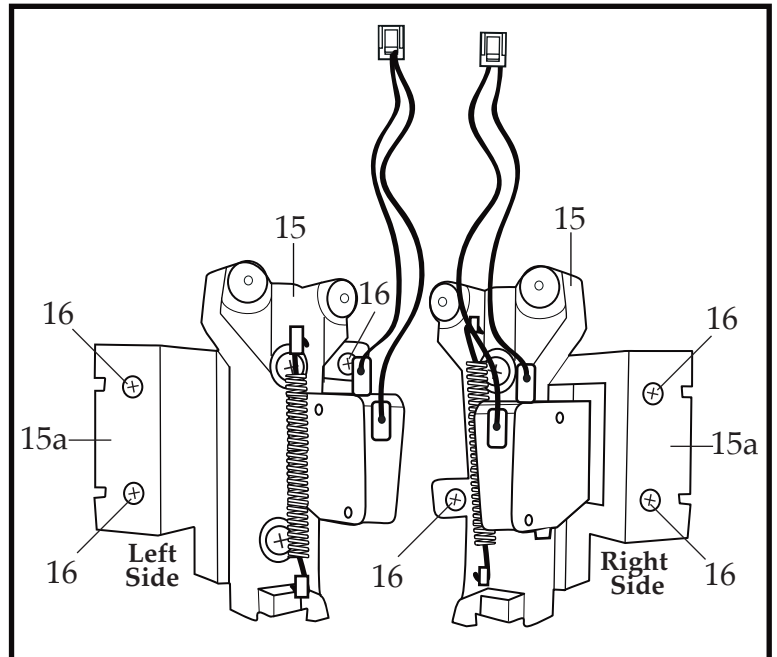
**029291**  
Screw



**029292**  
Butterfly Agitator  
(soft ice cream)



Looking into unit with back cover off  
at cup support locking assemblies.



Looking into unit with back cover off  
at the actuator switch assemblies.