

WARING
COMMERCIAL

4 Qt. Sealed Batch Bowl Food Processor

WFP16S

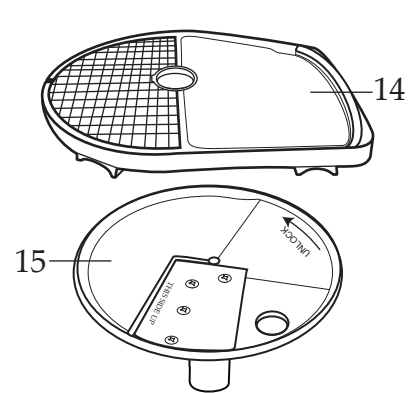
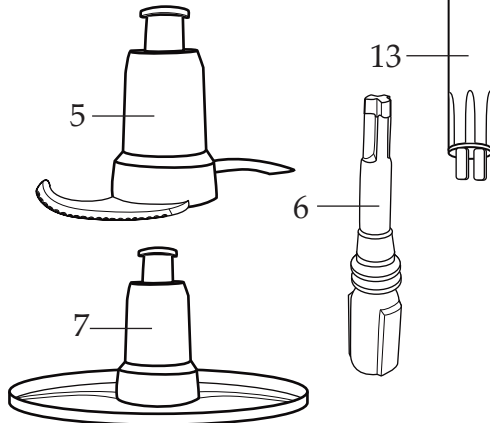
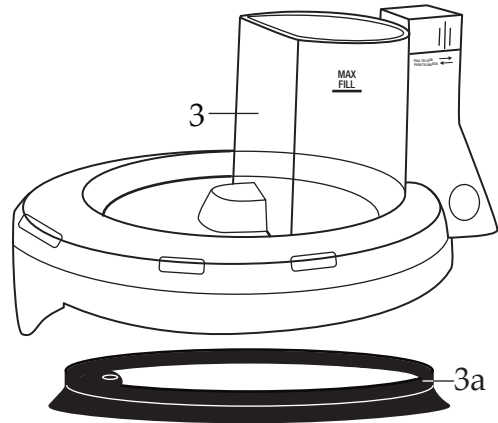
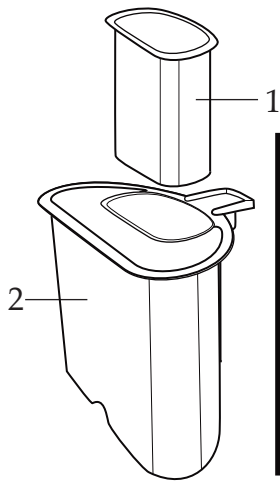
4 Qt. Sealed Batch Bowl and
Continuous-Feed Food Processor

WFP16SCD



033648
Brush

Unit Information	
120 volts - 60 Hz - Max. 7 Amps	
2 Year Limited Warranty	
5 Year Full Motor Warranty	
4 1/2 Cup, 11 Cup and 14 Cup Work Bowls	
1000 Watt Peak Power Motor	
SealTight™ Lid and Blade Assembly	



033643

10mm Dicing Assembly (WFP16S13)

035682 (after 9/21/2015)

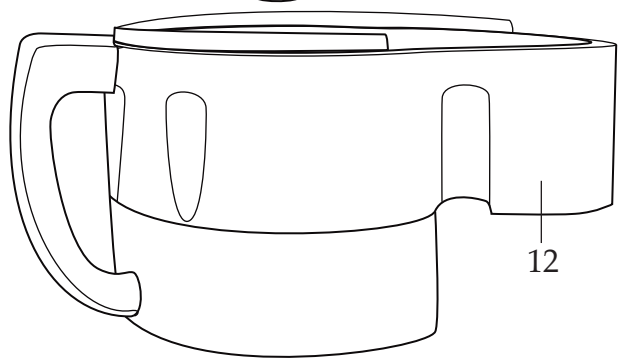
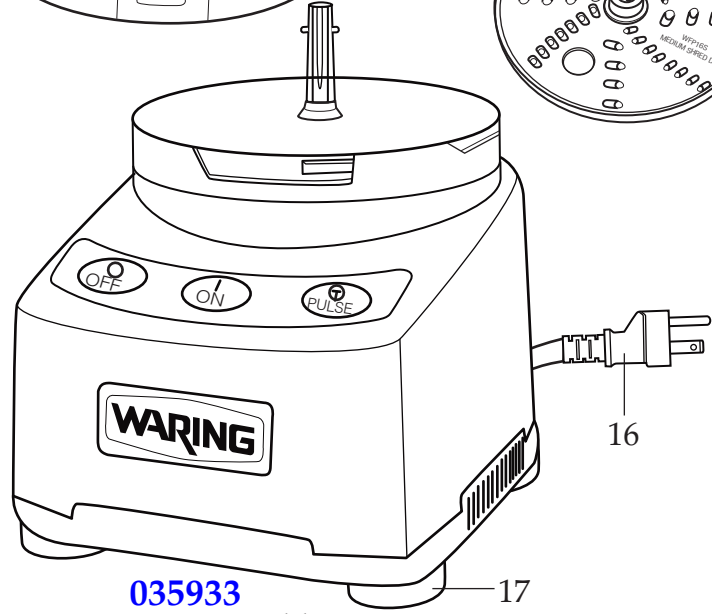
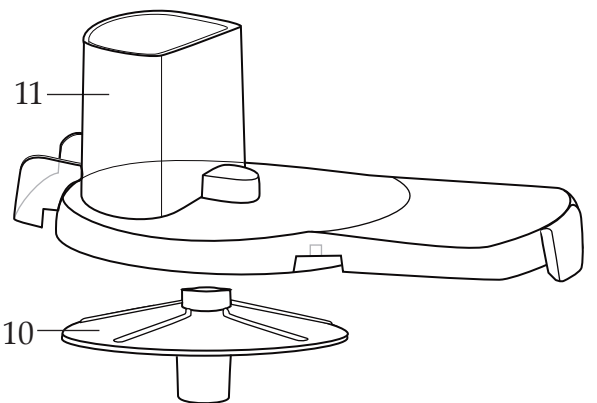
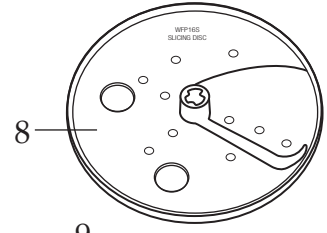
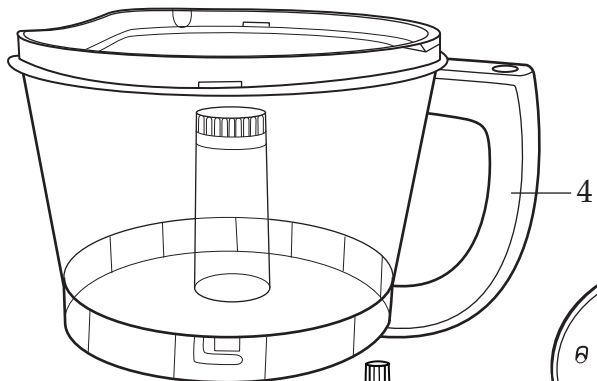
8mm Dicing Assembly (WFP16S25)

035683 (after 9/21/2015)

10mm Dicing Assembly (WFP16S26)

035684 (after 9/21/2015)

12mm Dicing Assembly (WFP16S27)

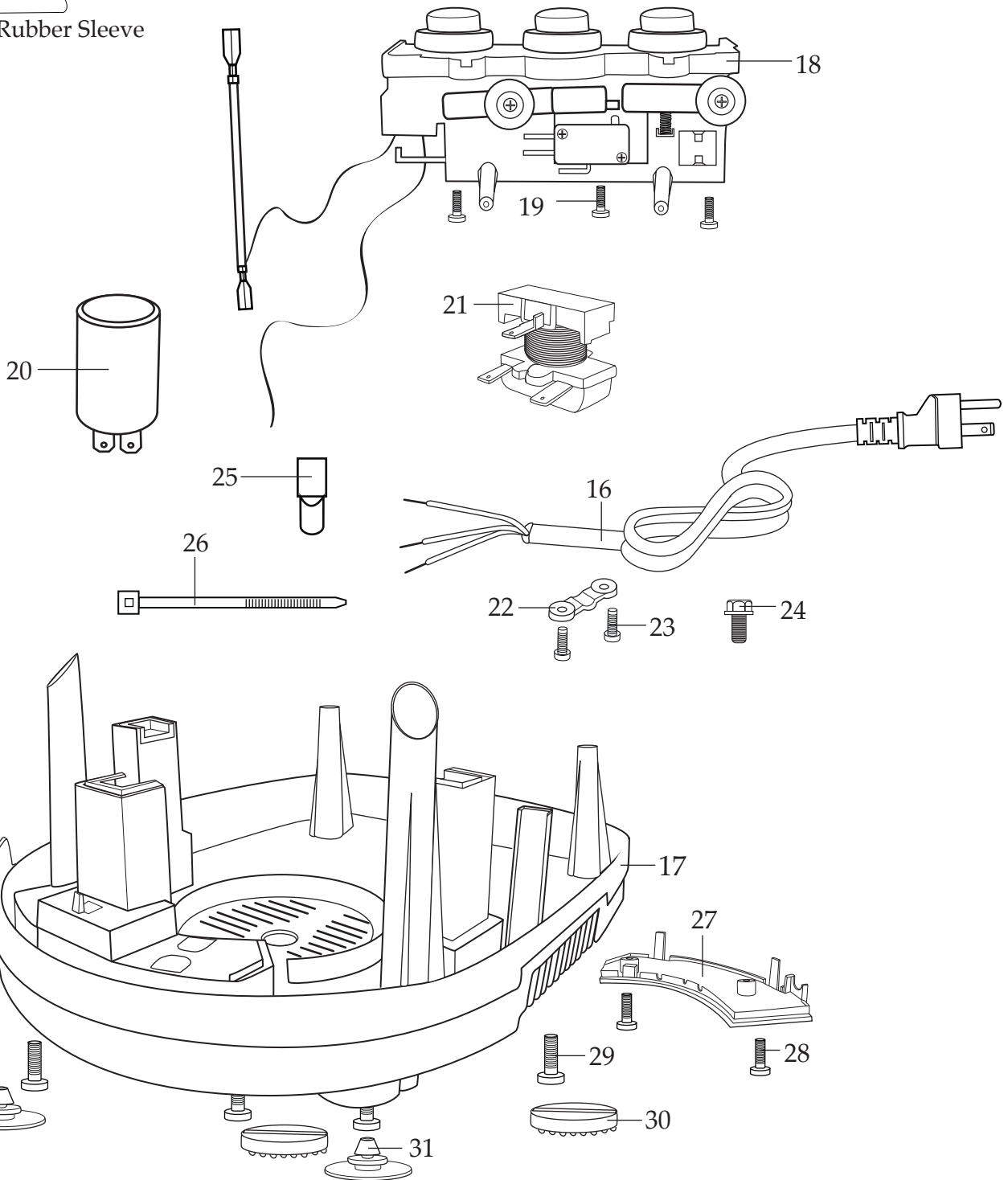
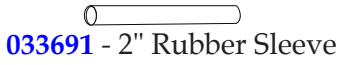
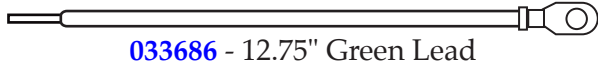
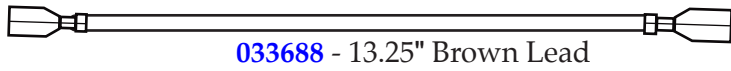


035933

Base Unit Assembly

WARING COMMERCIAL

WFP16S WFP16SCD Base Unit Components



Catalog/Model

WFP16S
WFP16SCD



Illustration #	Part #	Description
1	033637	Small Pusher
2	033692	Large Pusher
3	033693	Batch Bowl Cover
3a	035672	Lid Gasket <i>(after 9/21/2015)</i>
4	033632	Batch Bowl
5	033631	S Blade (comes with WFP16S and WFG16SCD)
6	033639	Disc Stem
7	033641	Sealed Whipping Disc (comes with WFP16S and WFP16SCD)
8	033640	Adjustable Slicing Disc (comes with WFP16S and WFP16SCD)
9	033642	Reversible Shredding Disc (comes with WFP16S and WFP16SCD)
10	033638	Slinger
11	034610	Continuous-Feed Cover
12	034609	Continuous-Feed Chute
13	027166	Dicing Cleaning Tool
14	035674	8mm - 5/16" Dicing Grid ONLY <i>(after 9/21/2015)</i>
	035677	10mm - 3/8" Dicing Grid ONLY <i>(after 9/21/2015)</i> comes with WFP16SCD)
	033649	10mm - 3/8" Dicing Grid ONLY (comes with WFP16SCD)
	035680	12mm - 15/32" Dicing Grid ONLY <i>(after 9/21/2015)</i>
15	035673	8mm - 5/16" Slicing Disc ONLY <i>(after 9/21/2015)</i>
	035676	10mm - 3/8" Slicing Disc ONLY <i>(after 9/21/2015)</i> comes with WFP16SCD)
	033650	10mm - 3/8" Slicing Disc ONLY (comes with WFP16SCD)
	035679	12mm - 15/32" Slicing Disc ONLY <i>(after 9/21/2015)</i>
16	024782	Cord
17	033651	Bottom Housing with Rubber Mounts
18	033684	Main Switch Holder Assembly with Switch (033659)
19	033660	Screw (3 required)
20	033661	Start Capacitor
21	033662	Relay
22	033666	Cord Clamp
23	033654	Screw (2 required)
24	033675	Bolt for ground leads
25	012409	Crimp Connector (4 required)

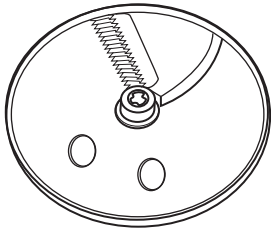
Catalog/Model

WFP16S
WFP16SCD

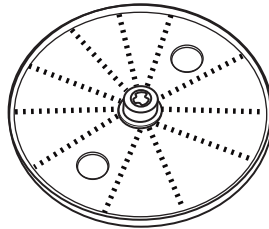
Waring Factory Service Center
314 Ella T. Grasso Ave.
Torrington, CT 06790
Tele. 1-800-269-6640

WFP16S
Fax 860-496-9017
www.waringcommercialproducts.com

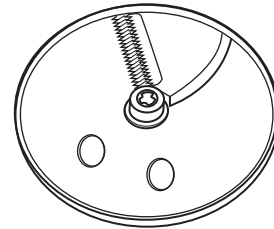
Illustration #	Part #	Description
26	013731	Wire Ties (7 required)
27	033652	Lower Housing Cover
28	001843	Screw (2 required)
29	033653	Screw (4 required)
30	033655	Front Foot (2 required)
31	033656	Back Foot (2 required)



033645
French Fry Disc
(WFP16S15)

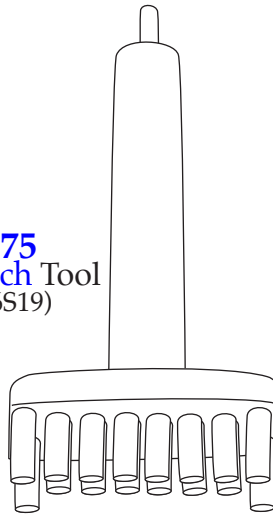
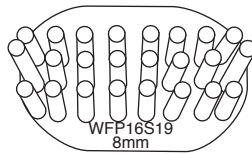


033646
Grating Disc
(WFP16S16)

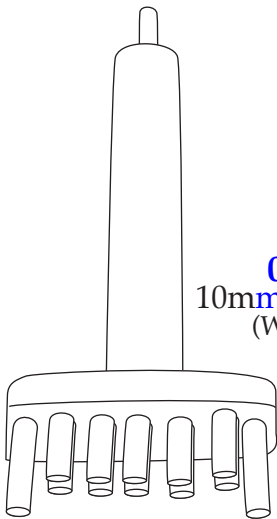
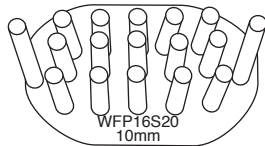


033644
Julienne Disc
(WFP16S14)

035675
8mm Punch Tool
(WFP16S19)



035678
10mm Punch Tool
(WFP16S20)



035681
12mm Punch Tool
(WFP16S21)

