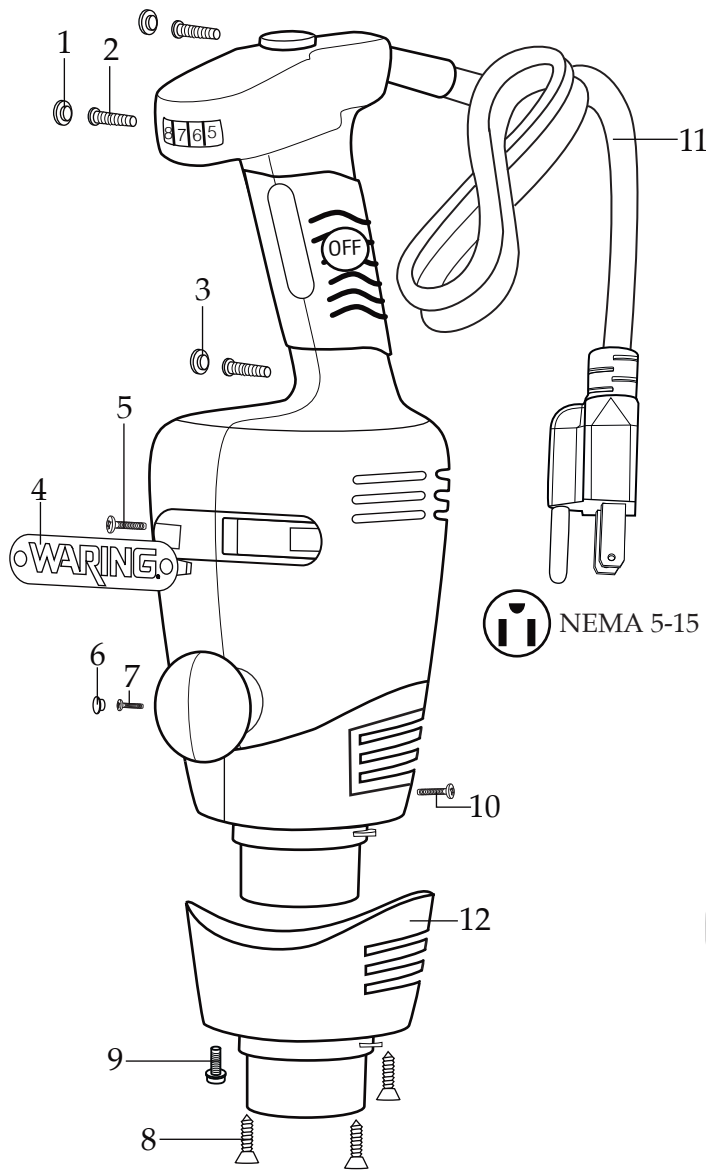
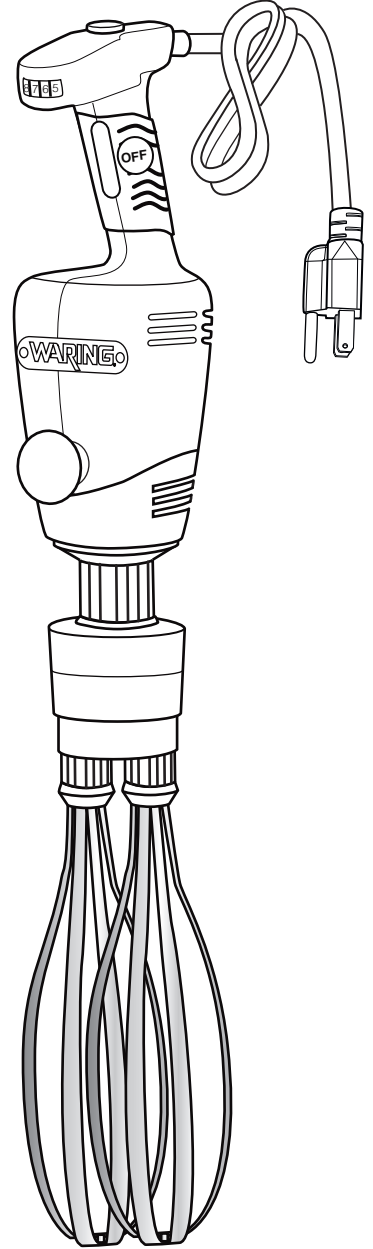
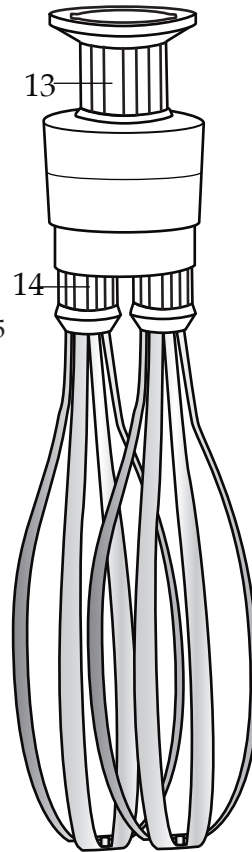


WARING COMMERCIAL

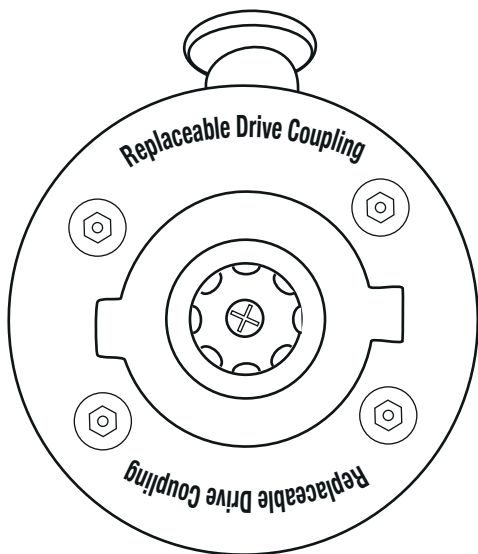
10" Big Stik® Whisk WSBPPW



 NEMA 5-15



502955 - WSB Power Pack



To use the **503357** kit the bottom of your Power Pack must look like this.

Unit Information

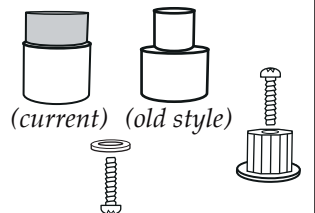
6.25 Amps
750 Watts
1 HP Motor
Max RPM's - 1600

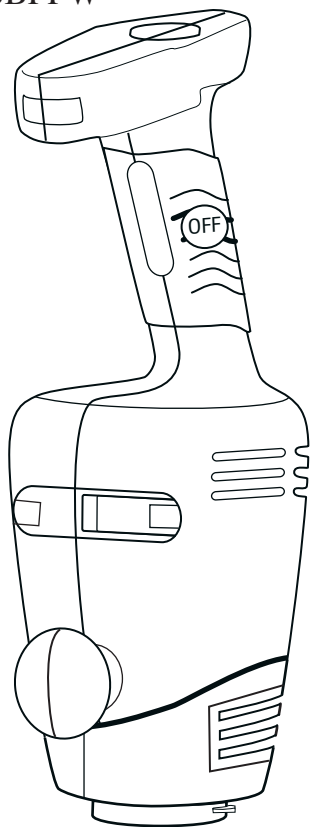
503357 Kit Parts Included *(part changed in 2007)*

Power Pack Coupling Tool



Shaft Coupling Tool





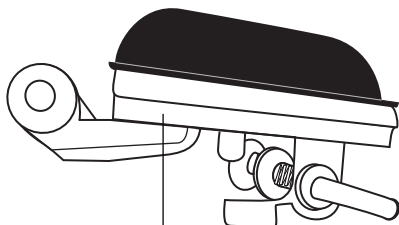
037435
Housing Kit



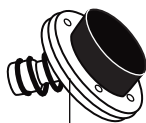
032650
Speed Control Knob



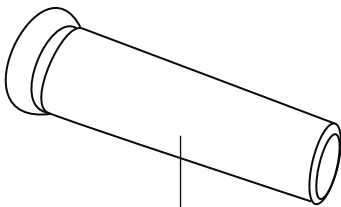
030443
PCB Board Assembly



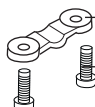
038173 - Trigger Assembly



038174 - Button Assembly

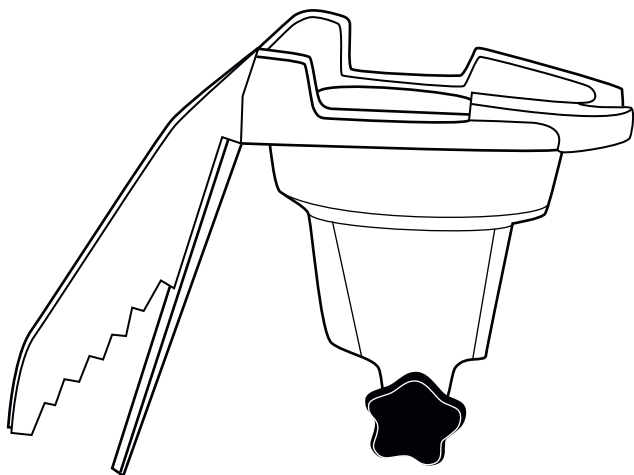


037922 - Cord Bushing

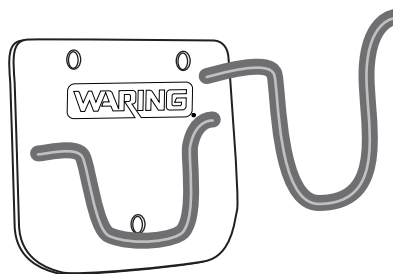


033666 - Cord Clamp

033654 - Screws (2 required)



033016 (WSBBC)
Bowl Clamp



033017 (WSB01)
Wall Hanger

Illustration#	Part#	Description
1	029839	Hole Plug (2 required)
2	029840	Screw (3 required)
3	029905	Hole Plug
4	029841	Name Plate Panel
5	029842	Screw
6	029843	Hole Plug
7	029844	Screw
8	029845	Screw (3 required)
9	029846	Screw
10	029844	Screw
11	030442	Cord Set
12	030440	Housing Cover
13	029006	Base
14	029007	Beater (set)