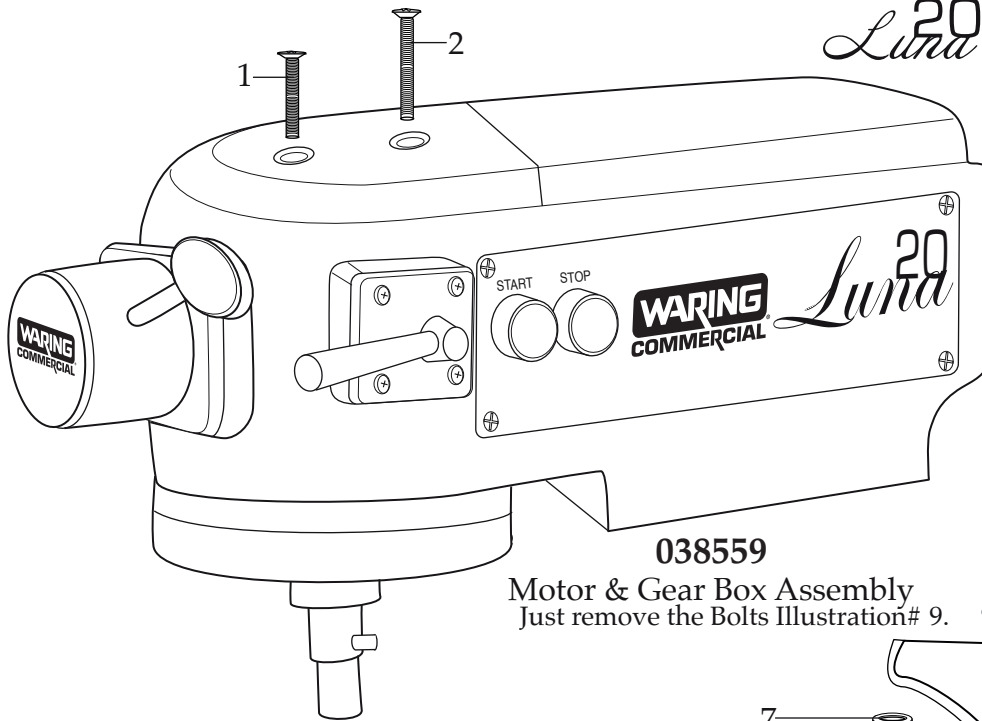
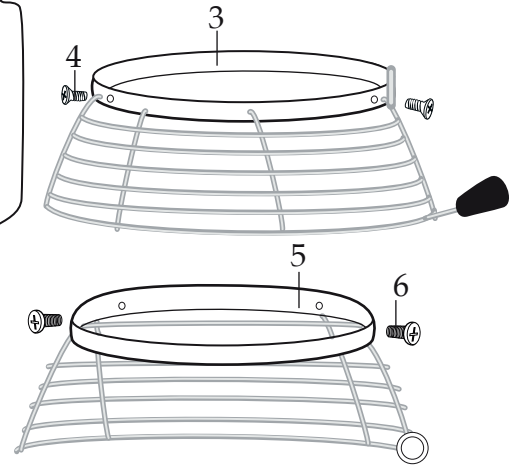


*Luna* 20 Planetary Stand Mixer 20 Qt.  
**WSM20L**



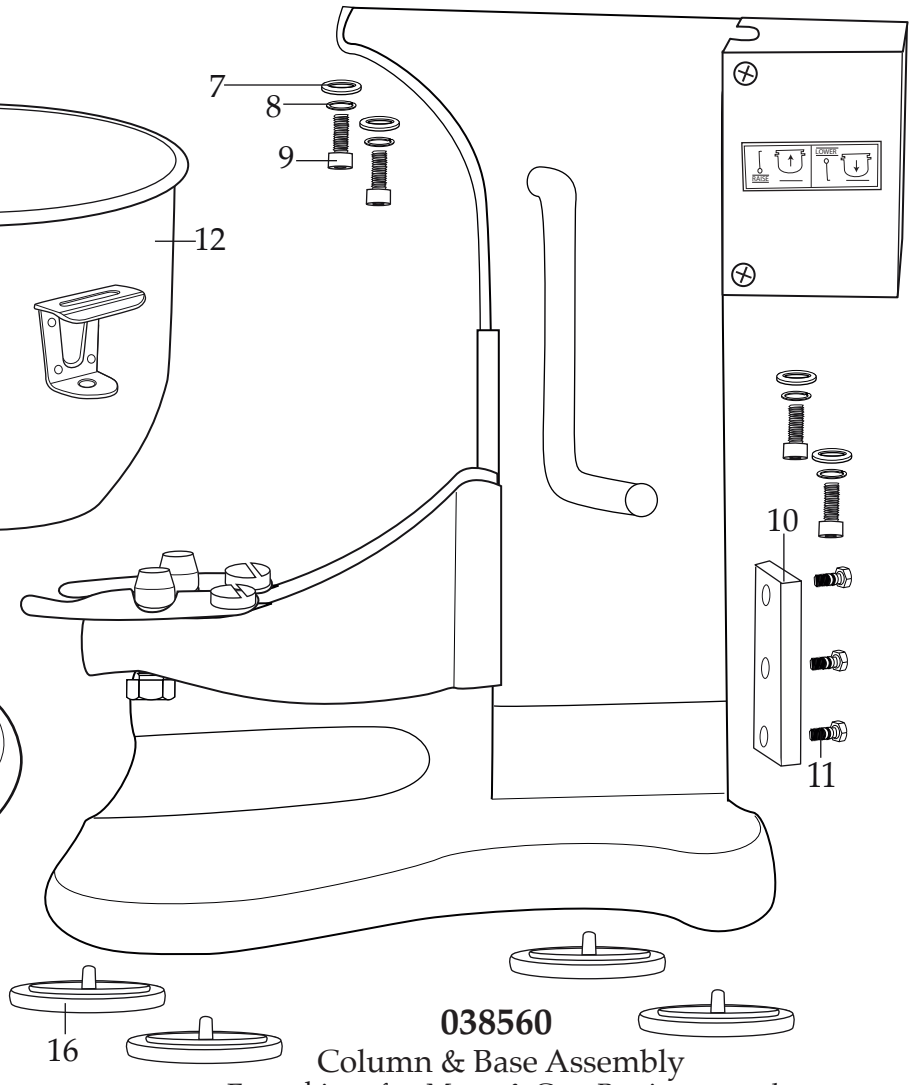
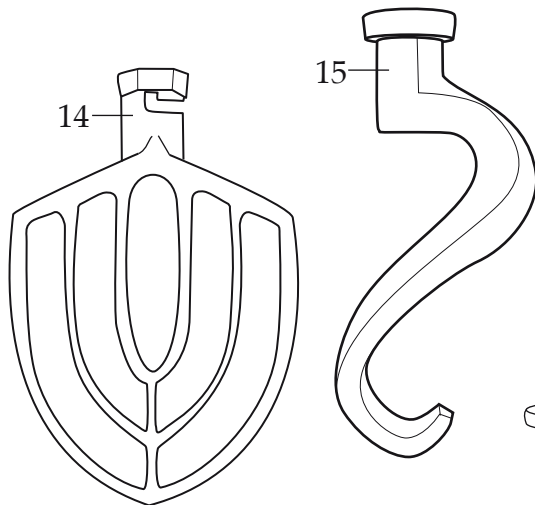
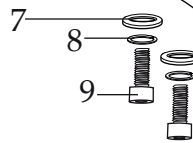
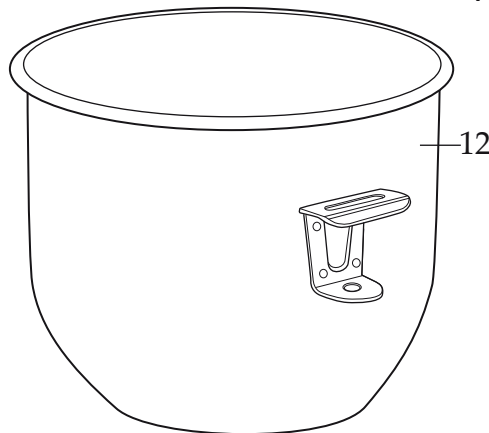
**038559**

Motor & Gear Box Assembly  
Just remove the Bolts Illustration# 9.



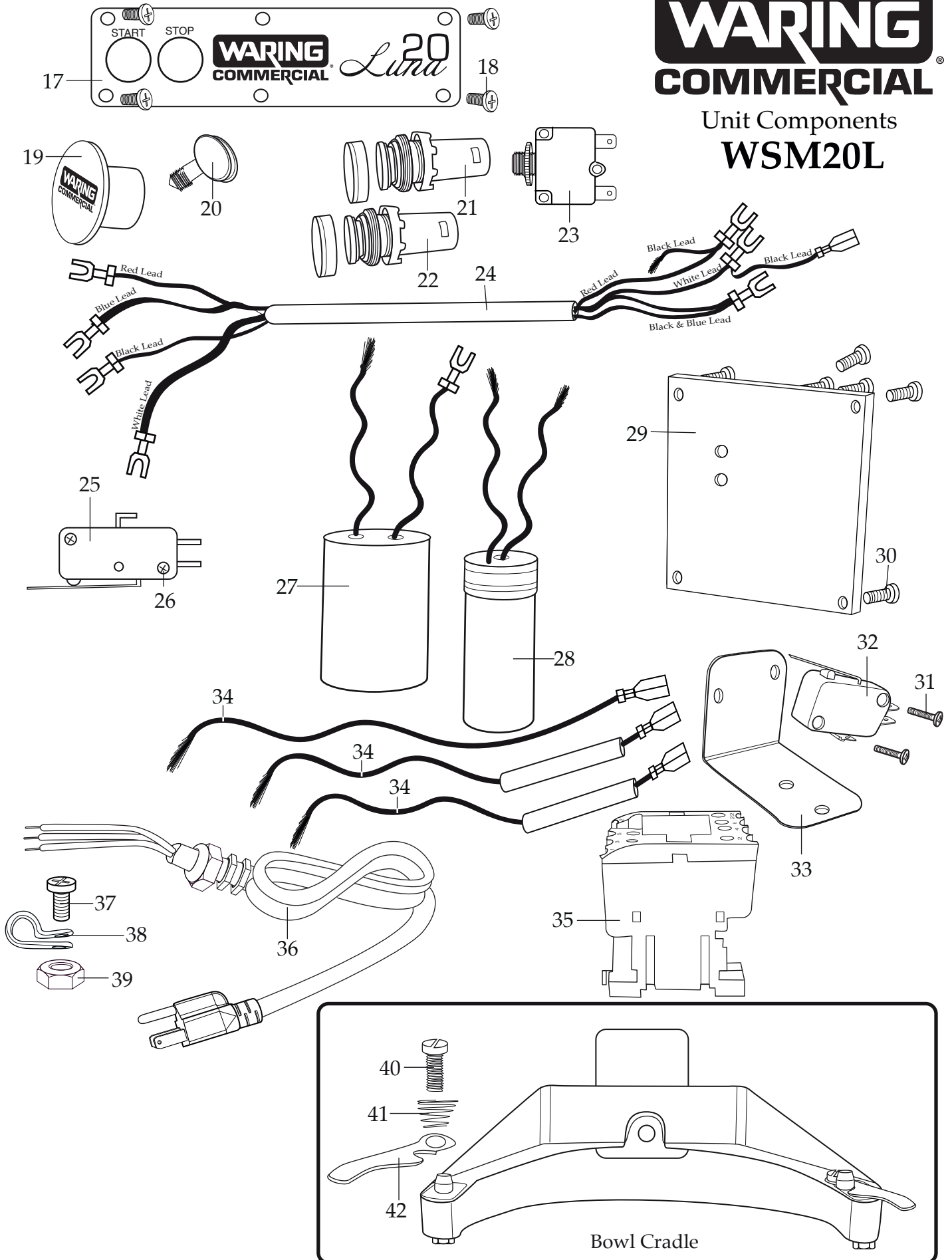
**038560**

Column & Base Assembly  
Everything after Motor & Gear Box is removed.



# WARING COMMERCIAL

## Unit Components WSM20L



| <b>Illustration#</b> | <b>Part#</b>           | <b>Description</b>                                     |
|----------------------|------------------------|--------------------------------------------------------|
| 1                    | 037379                 | Screw /top front plate                                 |
| 2                    | 037380                 | Screw /top front plate                                 |
| 3                    | 038561                 | Top Guard (with handle)                                |
| 4                    | 037382                 | Top Bowl Guard Screw (2 required)                      |
| 5                    | <a href="#">038562</a> | Bottom Guard (no handle)                               |
| 6                    | 037384                 | Bottom/Bowl Guard Screw (2 required)                   |
| 7                    | 037390                 | Washer (4 required)                                    |
| 8                    | 037389                 | Spring Washer (4 required)                             |
| 9                    | 037388                 | Bolt (4 required)                                      |
| 10                   | 037392                 | Cradle Plate (2 required one for each side)            |
| 11                   | 037391                 | Hex Head Bolt with Spring Washer & Washer (6 required) |
| 12                   | 038563                 | 20 Quart Bowl (WSM20LBL)                               |
| 13                   | 038564                 | Whisk (WSM20LW)                                        |
| 14                   | 038565                 | Mixing Paddle (WSM20LMP)                               |
| 15                   | 038566                 | Dough Hook (WSM20LDH)                                  |
| 16                   | 037393                 | Foot (4 required)                                      |
| 17                   | 038567                 | Name Plate                                             |
| 18                   | 037411                 | Screw (4 required)                                     |
| 19                   | 037401                 | Attachment Hub Cover                                   |
| 20                   | 037402                 | Attachment Hub Screw                                   |
| 21                   | <a href="#">037399</a> | Start Switch (green)                                   |
| 22                   | 037400                 | Stop Switch (red)                                      |
| 23                   | <a href="#">037404</a> | Reset Switch                                           |
| 24                   | 038568                 | Interlock Leads                                        |
| 25                   | <a href="#">037413</a> | Cradle Interlock                                       |
| 26                   | 037415                 | Screw (2 required)                                     |
| 27                   | 038569                 | Run Capacitor with Leads                               |
| 28                   | 038570                 | Start Capacitor with Leads                             |
| 29                   | <a href="#">038571</a> | Metal Plate                                            |
| 30                   | 037412                 | Screw (6 required)                                     |
| 31                   | 037415                 | Screw (2 required each side)                           |

| <b>Illustration#</b> | <b>Part#</b> | <b>Description</b>                          |
|----------------------|--------------|---------------------------------------------|
| 32                   | 037413       | Cradle Interlock                            |
| 33                   | 038575       | Bracket                                     |
| 34                   | 038574       | 9.25"-10"-13" Black Lead Assembly Kit       |
|                      | 038573       | 10" Black Lead Assembly                     |
|                      | 038572       | 13" Black Lead Assembly                     |
| 35                   | 037421       | Relay                                       |
| 36                   | 037405       | Cord                                        |
| 37                   | 037407       | Screw                                       |
| 38                   | 037406       | Cord Clamp                                  |
| 39                   | 037408       | Hex Nut                                     |
| 40                   | 037387       | Screw (2 required one for each side)        |
| 41                   | 037386       | Spring (2 required one for each side)       |
| 42                   | 037385       | Bowl Bracket (2 required one for each side) |