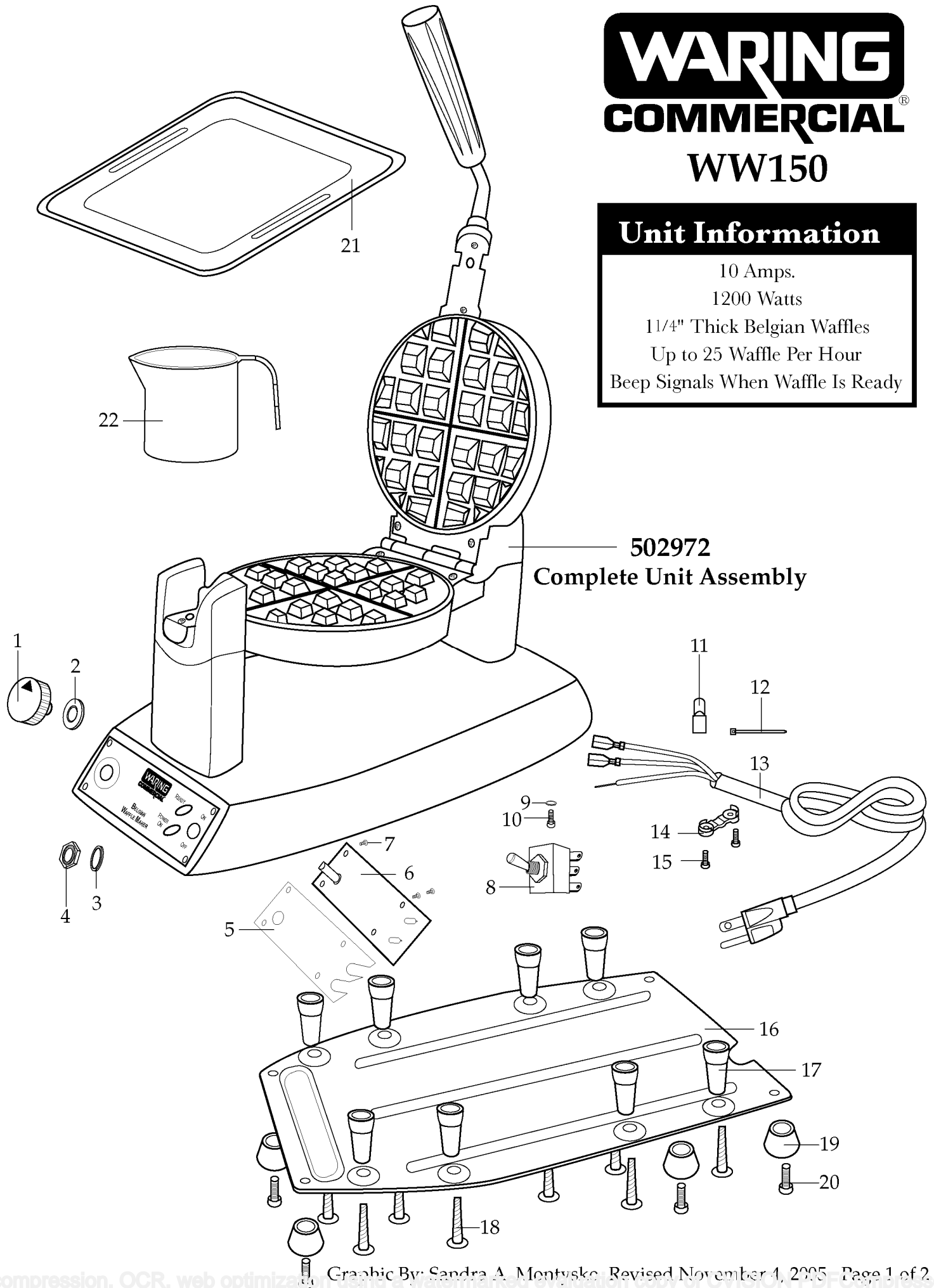


WARING COMMERCIAL[®] WW150

Unit Information

10 Amps.
1200 Watts
1 1/4" Thick Belgian Waffles
Up to 25 Waffle Per Hour
Beep Signals When Waffle Is Ready



Catalog Model
WW150 Same



Illustration #	Part #	Description
1	027515	Browning Control Knob
2	027065	Washer
3	014604	Washer
4	016236	Hex Nut
5	027066	PC Board Shield
6	027067	PC Board
7	027068	Screw 3 Req.'d
8	027069	On/Off Switch
9	027070	Lock Washer
10	027071	Screw
11	012409	Crimp Connector 3 Req.'d
12	013731	Wire Tie
13	027072	Cord Set
14	027073	Cord Clamp
15	027074	Screw 2 Req.'d
16	027516	Bottom Plate
17	027517	Spacer 8 Req.'d
18	027518	Screw 8 Req.'d
19	027519	Foot 4 Req.'d
20	027520	Screw 4 Req.'d
21	WMK300TRAY	Tray
22	WW150CUP	Measuring Cup

502972 - Complete Unit Assembly