

WARING COMMERCIAL®

Heavy-Duty Double Waffle Maker

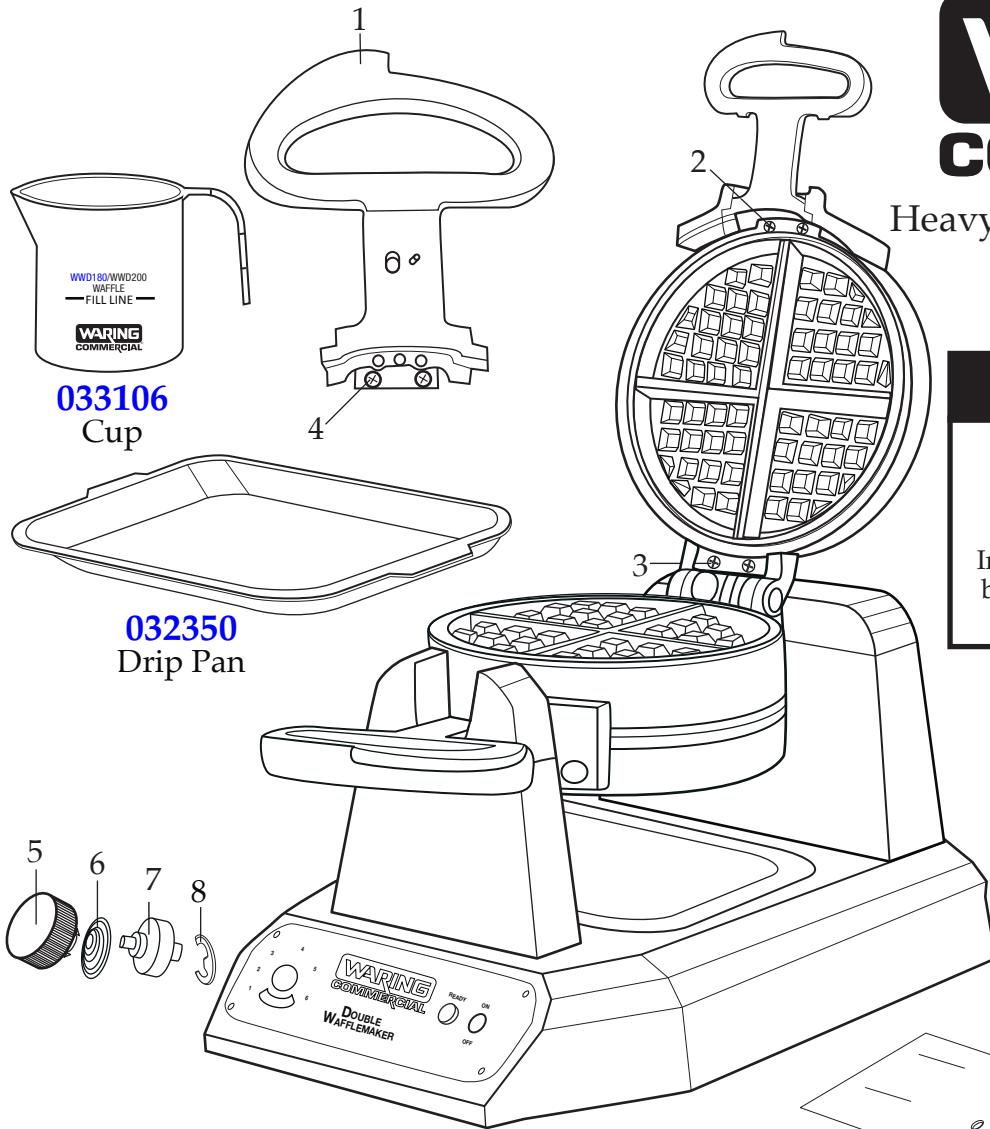
WWD200

Unit Information

1300 Watts – NEMA 5-15P

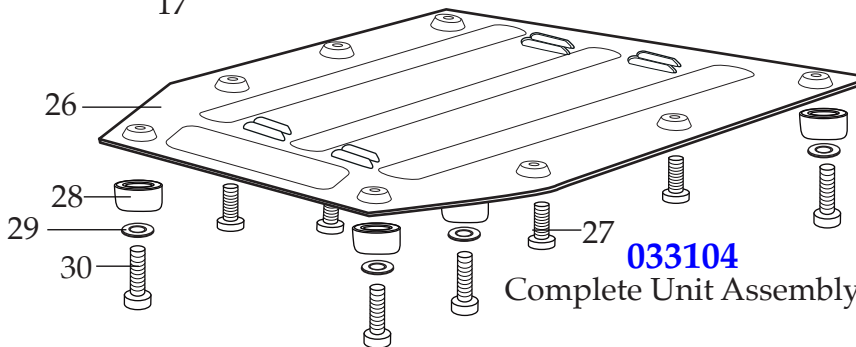
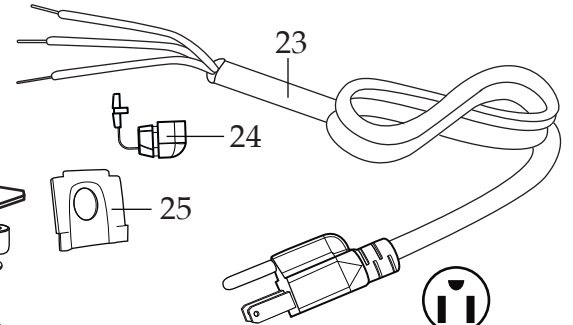
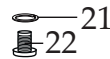
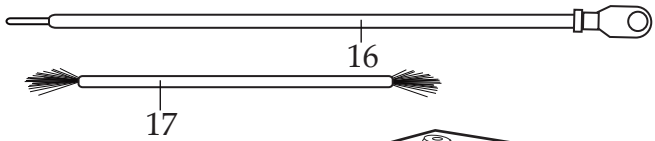
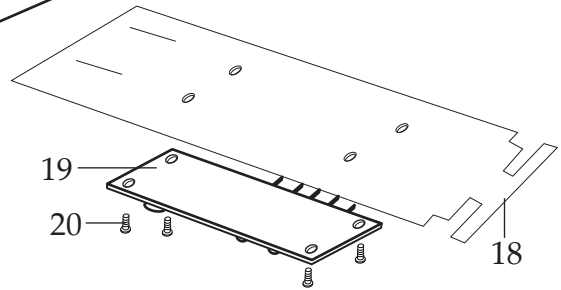
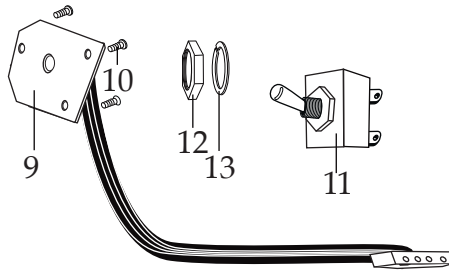
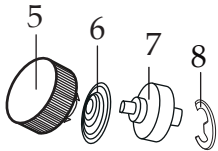
Delivers up to 60 $\frac{5}{8}$ "
waffles per hour

Independent ready lights and audio
beep signal when waffles are ready
to serve



033106
Cup

032350
Drip Pan



033104

Complete Unit Assembly



NEMA 5-15

Illustration#	Part#	Description
1	037968	Handle (2 required for top and bottom)
2	037970	Screw (2 required on both the top & bottom waffle plate)
3	037357	Screw (2 required on both the top & bottom waffle plate)
4	032359	Screw (2 required on both the top & bottom handle half)
5	032352	Browning Control Knob
6	034938	Spring Coil
7	034161	Connector Pole
8	032362	E Ring
9	032358	Darkness Control Panel w/ Long Lead Tape (thermostat)
10	032359	Screw (3 required)
11	032368	On-Off Toggle Switch
12	016236	Hex Nut
13	032356	Washer
14	013731	Wire Ties (7 required)
15	012409	Small Crimp Connector (3 required)
	019123	Large Crimp Connector (3 required)
16	034933	9.75" Green Ground Lead
17	038022	5.75" White Lead
18	030638	Power Board Shield
19	033103	PC Board
20	032359	Screw (4 required)
21	032360	Ground Spring Washer (2 required 1 for each ground screw)
22	035298	Ground Screw (2 required)
23	032363	Cord Set
24	032361	Strain Relief
25	032371	Cord Plate
26	032351	Bottom Plate

Catalog/Model

WWD200

WARING COMMERCIAL

314 Ella T. Grasso Ave.

Torrington, CT 06790

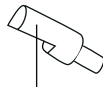
Tele. 1-800-269-6640

Fax 860-496-9017

www.waringcommercialproducts.com

Illustration#	Part#	Description
27	032750	Screw (4 required)
28	032353	Foot (4 required)
29	032354	Foot Washer (4 required)
30	032355	Foot Screw (4 required)

Part No Longer Used



034162

Connector Pole



Date Code Location

YY|MM|DD
year|year|month|month|day|day