

ITEM NO.	DESCRIPTION	MODEL 111	MODEL 1001	QTY. PER UNIT
MOUNT ASSEMBLY		.249C019S242	.249C019S242	.1
*1	.STOPPER	.174C068P01	.174C068P01	.1
*2	.SPLASH GUARD	.614C069P01	.614C069P01	.1
*3	.SINKFLANGE & CAP ASSEMBLY.	.249C014S35	.249C014S35	.1
*4	.RUBBER GASKET	.269C031P01	.269C031P01	.1
*5	.FIBER GASKET (WAXED)	.269C033P01	.269C033P01	.1
*6	.SUPPORT RING	.614C072P01	.614C072P01	.1
*7	.MOUNT RING	.614C059P02	.614C059P02	.1
*8	.CUSHION MOUNT RING	.469C004P02	.469C004P02	.1
9	.OUTLET SCREW	.636C017P03	.636C017P03	.2
10	.OUTLET FLANGE	.249C009P01	.249C009P01	.1
11	.OUTLET ELBOW	.673C015P01	.673C015P01	.1
12	.RUBBER OUTLET GASKET	.269C038P01	.269C038P01	.1
DRAIN HOUSING ASSEMBLY		.311C080S03	.311C080S03	.1
*13	.GRIND RING	.614C066P03	.614C066P03	.2
*14	.DRAIN HOUSING	.311C080P01	.311C080P01	.1
*15	.THRUST WASHER	.789C041P01	.789C041P01	.1
*16	.WATER SEAL	.645C006P01	.645C006P01	.1
*17	.SPACER SEAL	.102C005P01	.102C005P01	.1
18	.SLINGER	.789C034P04	.789C034P04	.1
19	.O-RING	.645C004P01	.645C004P01	.1
20	.TURNTABLE ASSEMBLY	.258C032S01	.258C032S01	.1
21	.HOPPER ASSEMBLY	.311C077S01	.311C077S01	.1
22	.HOPPER SCREW	.636C023P01	.636C023P01	.4
23	.WASHER	.789C035P02	.789C035P02	.1
24	.ARMATURE ASSEMBLY.	.626C035P02	.626C035P03	.1
25	.MOTOR STUD	.687C003P01	.687C003P01	.1
26	.MOTOR STUD	.687C003P02	.687C003P02	.1
27	.MOTOR SHELL ASSEMBLY.	.681C031S12	.681C031S12	.1
ENDBELL ASSEMBLY		.311C081S01	.311C081S02	.1
*28	.ENDBELL.	.311C081S53	.311C081S53	.1
*29	.MOTOR BRUSH & BRUSH SPRING ASSY	.027C029S02	.027C029S02	.2
30	.NUT	.479C019P01	.479C019P01	.2
31	.INSPECTION PLATE	.554C032P01	.554C032P01	.1
32	.NUT	.479C021P01	.479C021P01	.1
33	.SHELL SCREW	.636C029P02	.636C029P02	.3
34	.LOWER SHELL	.806C044P03	.806C044P03	.1

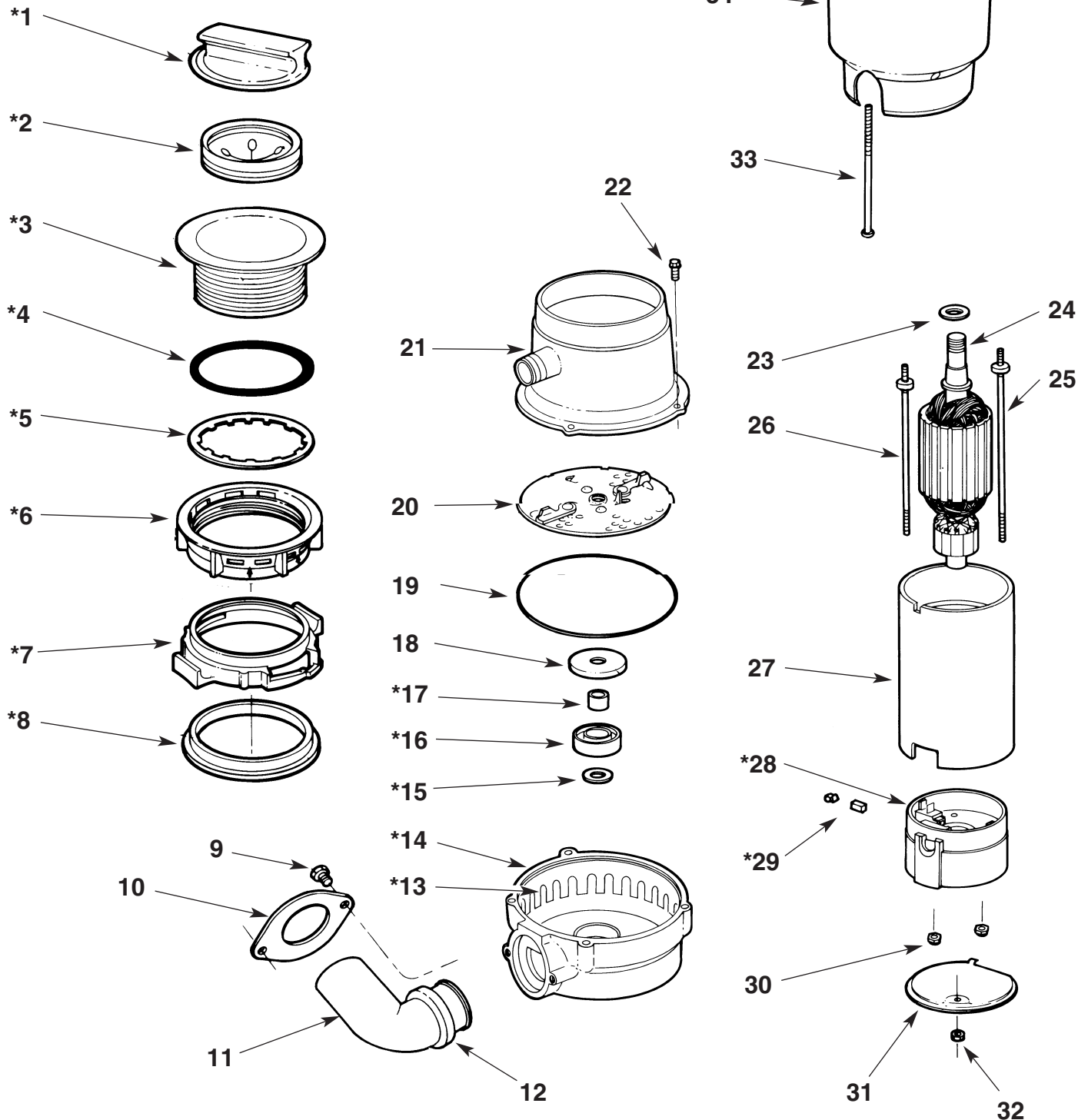
*PART OF AN ASSEMBLY, BUT CAN BE PURCHASED SEPARATELY.



Waste King Legend Series

by Anaheim Manufacturing Company

PARTS LIST MODELS 111 & 1001



P.O. BOX 4146
ANAHEIM, CA 92803 U.S.A.

* PART OF AN ASSEMBLY, BUT CAN BE PURCHASED SEPARATELY.

ITEM NO.	DESCRIPTION	MODEL L-2600	QTY. PER UNIT
MOUNT ASSEMBLY		.249C019S242	.1
*1	STOPPER	.174C067P01	.1
*2	SPLASH GUARD	.614C069P01	.1
*3	SINKFLANGE & CAP ASSEMBLY	.249C014S35	.1
*4	RUBBER GASKET	.269C031P01	.1
*5	FIBER GASKET (WAXED)	.269C033P01	.1
*6	SUPPORT RING	.614C072P01	.1
*7	MOUNT RING	.614C059P02	.1
*8	CUSHION MOUNT RING	.469C004P02	.1
9	OUTLET SCREW	.636C017P03	.2
10	OUTLET FLANGE	.249C009P01	.1
11	OUTLET ELBOW	.673C015P01	.1
12	RUBBER OUTLET GASKET	.269C038P01	.1
13	GRIND RING	.614C066P02	.2
DRAIN HOUSING ASSEMBLY		.311C080S02	.1
*14	DRAIN HOUSING	.311C080P02	.1
*15	THRUST WASHER	.789C041P01	.1
*16	WATER SEAL	.645C006P01	.1
*17	SPACER SEAL	.102C005P01	.1
TURNTABLE ASSEMBLY		.258C032S02	.1
*18	SLINGER	.789C034P03	.1
*19	O-RING	.645C004P01	.1
*20	TURNTABLE	.258C032P02	.1
21	HOPPER ASSEMBLY	.311C076P01	.1
22	HOPPER SCREW	.636C023P01	.4
23	WASHER	.789C035P02	.1
24	ARMATURE ASSEMBLY	.626C035P03	.1
25	STUD MOTOR	.687C003P01	.1
26	STUD MOTOR	.687C003P02	.1
27	MOTOR SHELL ASSEMBLY.	.681C031S12	.1
ENDBELL ASSEMBLY		.311C081S02	.1
*28	ENDBELL	.311C081P01	.1
*29	MOTOR BRUSH & BRUSH SPRING ASSEMBLY	.027C029S02	.1
30	NUT	.479C019P01	.2
31	INSPECTION PLATE	.554C032P01	.1
32	NUT	.479C021P01	.1
33	UPPER SHELL	.806C067P01	.1
34	LOWER SHELL	.806C068P01	.1
35	SHELL SCREW	.636C024P01	.3
†36	SINKFLANGE GASKET-WAXED (THICK)	.269C032P01	.1

†NOT SHOWN

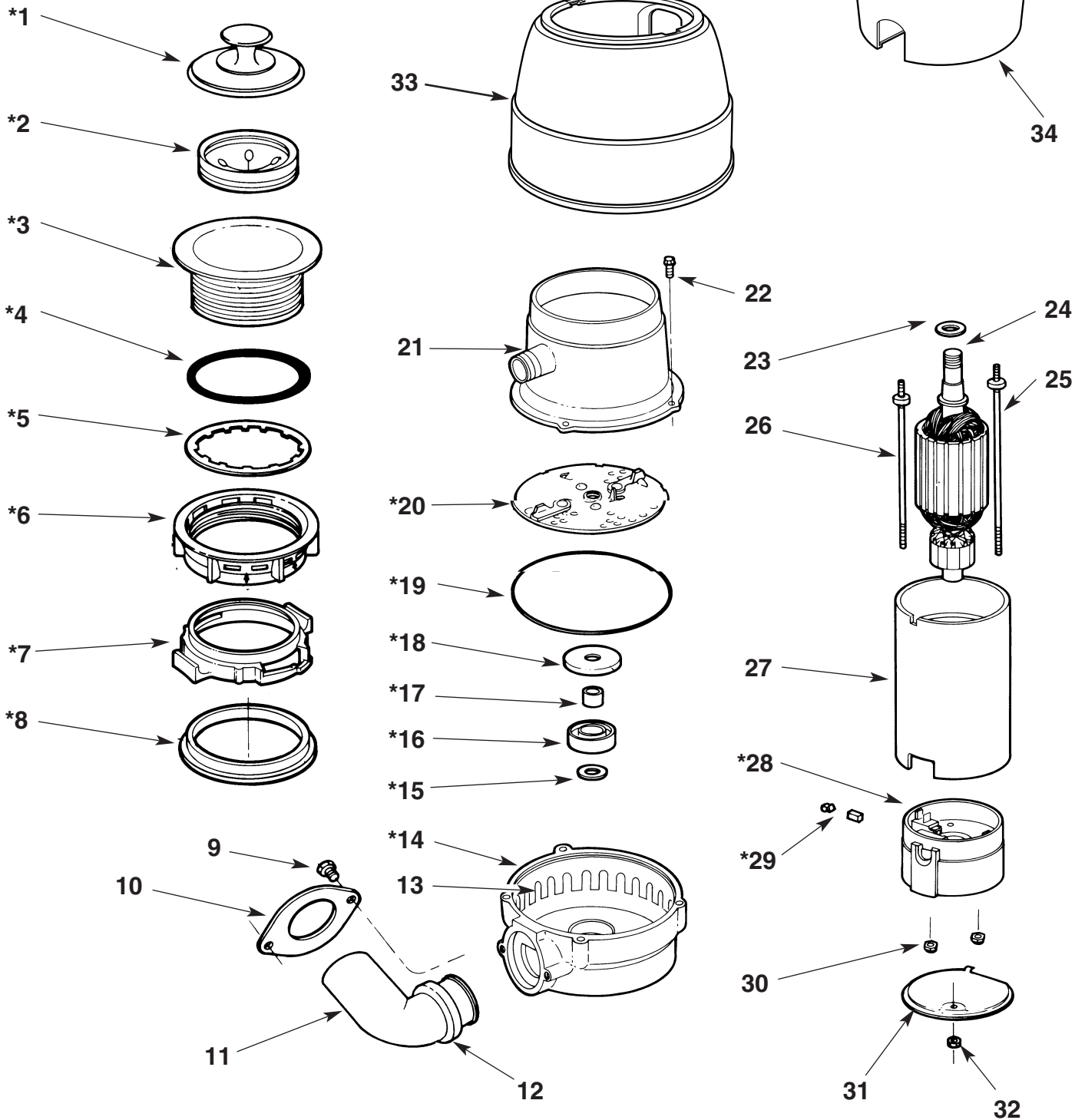
*PART OF AN ASSEMBLY, BUT CAN BE PURCHASED SEPARATELY.



Waste King Legend Series

by Anaheim Manufacturing Company

PARTS LIST MODEL 2600



P.O. BOX 4146
ANAHEIM, CA 92803 U.S.A.

* PART OF AN ASSEMBLY, BUT CAN BE PURCHASED SEPARATELY.

MODEL L-2600TC

ITEM #	DESCRIPTION	PART #	QTY	ITEM #	DESCRIPTION	PART #	QTY
	MOUNT ASSEMBLY	.249C019S242BF	..1	33	..NUT	.479C021P011
*1	..STOPPER	.174C066S021	34	..UPPER SHELL	.806C067P511
*2	..SINKFLANGE & CAP ASSY.	.249C014S351	35	..LOWER SHELL	.806C068P011
*3	..RUBBER GASKET	.269C031P011	36	..SHELL SCREW	.636C014P193
*4	..FIBER GASKET (WAXED)	.269C033P011	37	..PLUNGER BUTTON	.106C004P011
*5	..SUPPORT RING	.614C072P011	38	..”O” RING	.614C027P012
*6	..MOUNT RING	.614C059P021	39	..BUSHING	.102C003P021
*7	..CUSHION MOUNT RING	.469C004P021	40	..”O” RING	.614C028P011
8	..OUTLET SCREW	.636C017P032	41	..SCREW	.636C026P014
9	..OUTLET FLANGE	.249C009P011	42	..COLLAR	.154C005P021
10	..OUTLET ELBOW	.673C015P011	43	..SWITCH COVER	.174C021P011
11	..RUBBER OUTLET GASKET	.269C038P011	44	..SCREW	.636C014P033
12	..GRIND RING	.614C066P022	45	..SCREW	.636C019P012
	DRAIN HOUSING ASSEMBLY	.311C080S021	46	..CHERRY SWITCH	.695C003P021
*13	..DRAIN HOUSING	.311C080P011	47	..SWITCH BRACKET	.072C001P011
*14	..THRUST WASHER	.789C041P011	48	..JAM NUT	.479C010P011
*15	..WATER SEAL	.645C006P011	49	..SPRING	.675C001P011
*16	..SPACER SEAL	.102C005P011	50	..WASHER	.789C011P011
	TURNTABLE ASSEMBLY	.258C032S021	51	..WASHER	.789C013P011
*17	..SLINGER	.789C034P031	52	..RETAINER	.612C007P011
*18	..O-RING	.645C004P011	53	..BUSHING	.287C002P011
*19	..TURNTABLE	.258C032P021	54	..BUSHING	.102C004P012
20	..HOPPER ASSEMBLY	.311C076S011	55	..CONNECTOR FLAG	.711C010P012
21	..HOPPER SCREW	.636C023P014	56	..CONDUIT CLAMP	.142C001P011
22	..ADAPTER	.614C061P021	57	..SCREW	.636C015P181
23	..GASKET	.269C014P011	58	..CONDUIT	.163C003P021
24	..WASHER	.789C035P021	59	..LEAD WIRE (WHITE)	.299C008P111
25	..ARMATURE ASSEMBLY.	.626C035P031	60	..LEAD WIRE (WHITE)	.299C008P101
26	..MOTOR STUD	.687C003P011	61	..SPLICE	.711C009P011
27	..MOTOR STUD	.687C003P021	62	..GROUND WIRE	.299C005S071
28	..MOTOR SHELL ASSEMBLY.	.681C031S121	63	..CONDUIT CLAMP	.142C002P011
	ENDBELL ASSEMBLY	.311C081S1221	63	..SCREW	.636C014P181
*29	..ENDBELL	.311C081S531	†64	..SINKFLANGE GASKET (THICK)	.269C032P011
*30	..MTR. BRUSH & BRUSH SPRING ASSY.	.027C029S021				
31	..NUT	.479C019P012				
32	..INSPECTION PLATE	.554C032P011				

†NOT SHOWN

*PART OF AN ASSEMBLY, BUT CAN BE PURCHASED SEPARATELY.

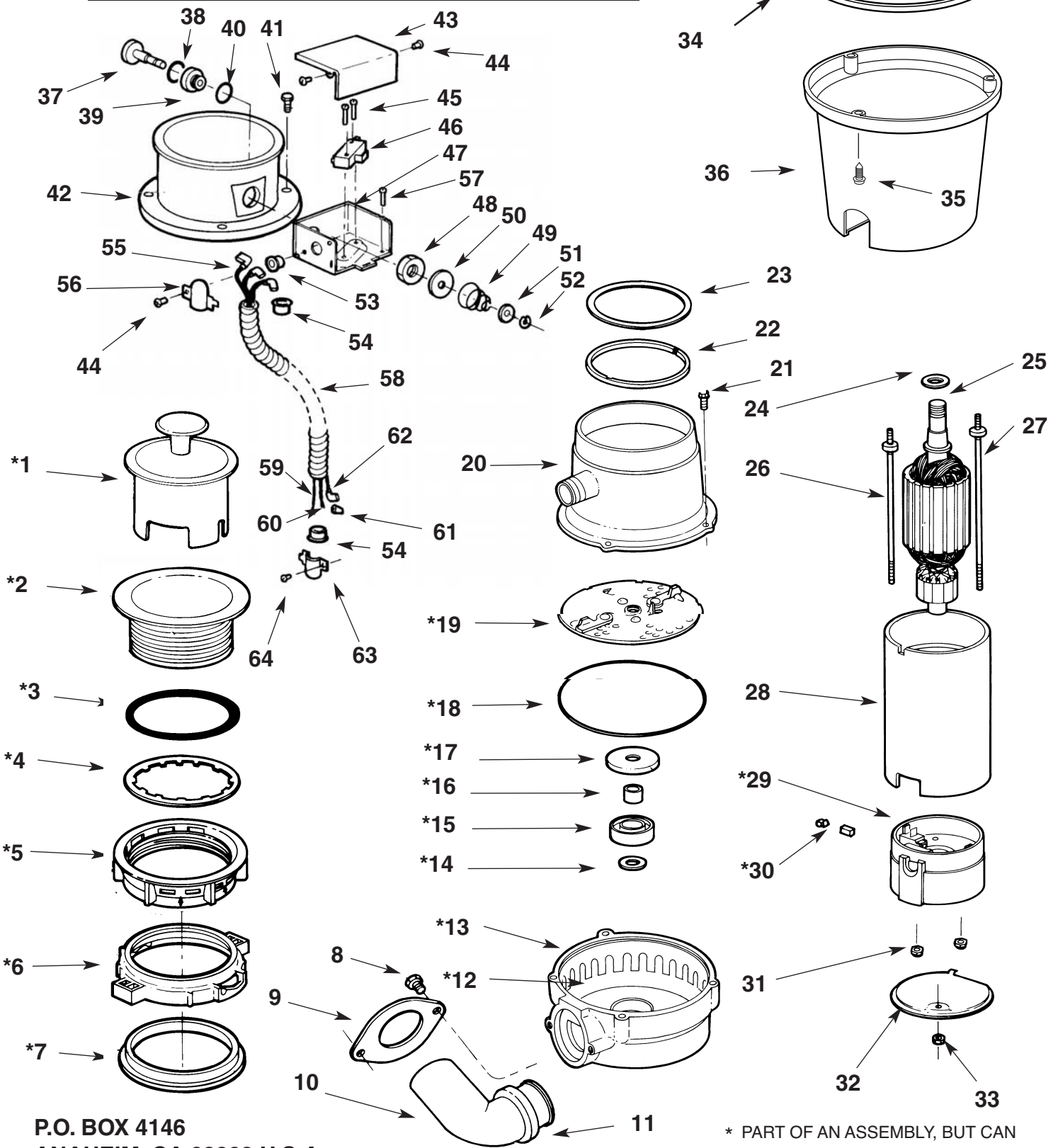


Waste King

Legend Series

by Anaheim Manufacturing Company

PARTS LIST MODEL 2600TC



P.O. BOX 4146
ANAHEIM, CA 92803 U.S.A.

* PART OF AN ASSEMBLY, BUT CAN BE PURCHASED SEPARATELY.

ITEM NO.	DESCRIPTION	MODEL L-3200	QTY. PER UNIT
MOUNT ASSEMBLY		249C019S242	1
*1	.STOPPER	174C067S01	1
*2	.SPLASH GUARD	614C069P01	1
*3	.SINKFLANGE & CAP ASSEMBLY.	249C014S35	1
*4	.RUBBER GASKET	269C031P01	1
*5	.FIBER GASKET (WAXED)	269C033P01	1
*6	.SUPPORT RING	614C072P01	1
*7	.MOUNT RING	614C059P02	1
*8	.CUSHION MOUNT RING	469C004P02	1
9	.OUTLET SCREW	636C017P03	2
10	.OUTLET FLANGE	249C009P01	1
11	.OUTLET ELBOW	673C015P01	1
12	.RUBBER OUTLET GASKET	269C038P01	1
13	.GRIND RING	614C060P01	1
DRAIN HOUSING ASSEMBLY		311C082S01	1
*14	.DRAIN HOUSING	311C082P01	1
*15	.THRUST WASHER	789C041P01	1
*16	.WATER SEAL	645C006P01	1
*17	.SPACER SEAL	102C005P01	1
TURNTABLE ASSEMBLY		258C032S04	1
*18	.SLINGER	789C034P03	1
*19	.O-RING	645C005P01	1
*20	.TURNTABLE	258C032P02	1
21	.HOPPER ASSEMBLY	311C070S01	1
22	.HOPPER SCREW	636C023P01	6
23	.WASHER	789C035P05	1
24	.ARMATURE ASSEMBLY.	626C035P03	1
25	.MOTOR STUD	687C003P01	1
26	.MOTOR STUD	687C003P02	1
27	.MOTOR SHELL ASSEMBLY.	681C031S14	1
ENDBELL ASSEMBLY		311C081S04	1
*28	.ENDBELL	311C081P01	1
*29	.MOTOR BRUSH & BRUSH SPRING ASSEMBLY	027C029S02	1
30	.NUT	479C019P01	2
31	.INSPECTION PLATE	554C032P01	1
32	.NUT	479C021P01	1
33	.UPPER SHELL	806C062P05	1
34	.LOWER SHELL	806C063P05	1
35	.SHELL SCREW	636C024P01	3
†36	.SINKFLANGE GASKET-WAXED (THICK)	269C032P01	1

†NOT SHOWN

*PART OF AN ASSEMBLY, BUT CAN BE PURCHASED SEPARATELY.

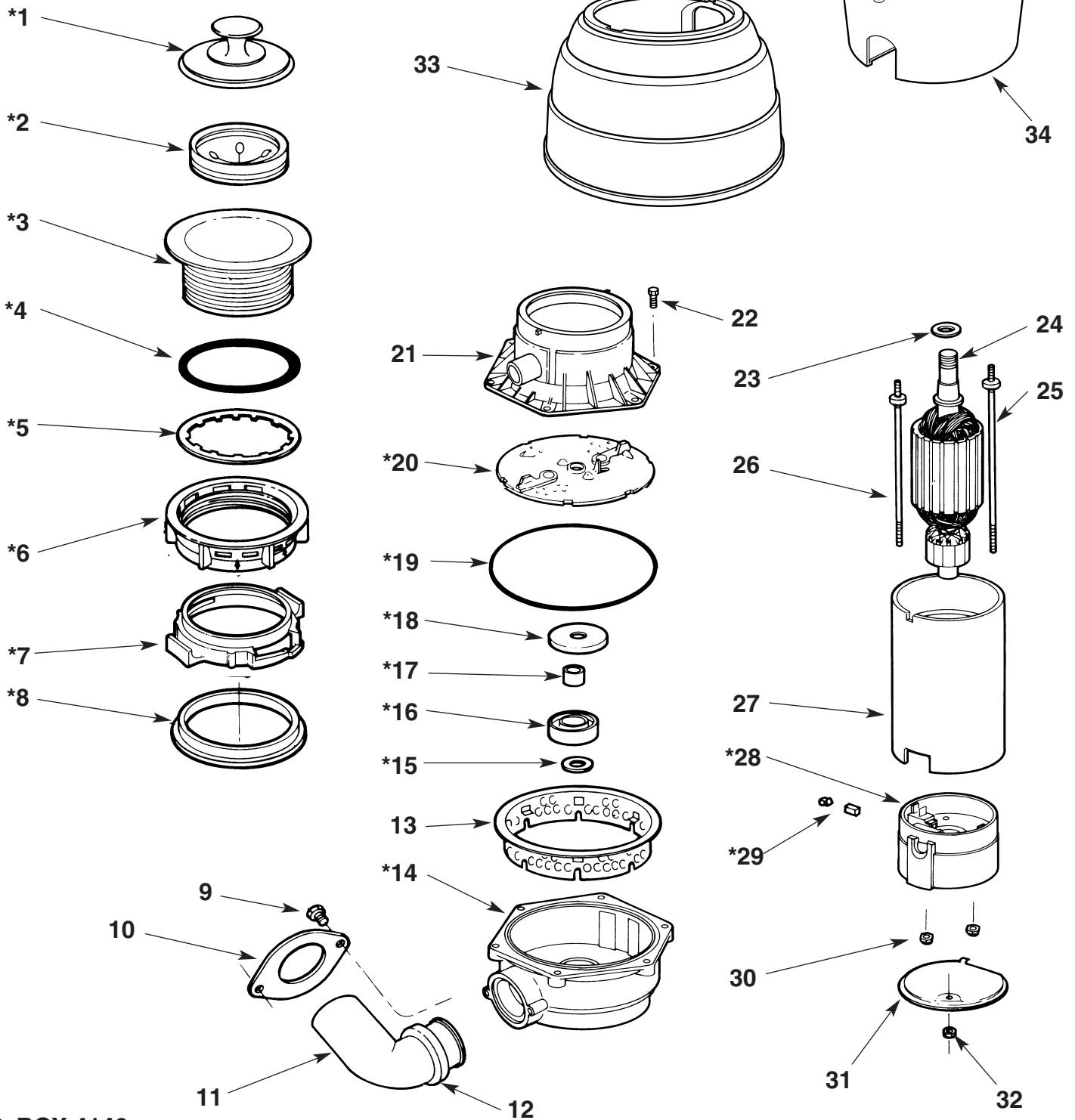


Waste King

Legend Series

by Anaheim Manufacturing Company

PARTS LIST MODEL 3200



P.O. BOX 4146
ANAHEIM, CA 92803 U.S.A.

* PART OF AN ASSEMBLY, BUT CAN BE PURCHASED SEPARATELY.

ITEM NO.	DESCRIPTION	MODEL L-3300	QTY. PER UNIT
MOUNT ASSEMBLY		.249C019S242	1
*1	STOPPER	.174C067S01	1
*2	SPLASH GUARD	.614C069P01	1
*3	SINKFLANGE & CAP ASSEMBLY	.249C014S35	1
*4	RUBBER GASKET	.269C031P01	1
*5	FIBER GASKET (WAXED)	.269C033P01	1
*6	SUPPORT RING	.614C072P01	1
*7	MOUNT RING	.614C059P02	1
*8	CUSHION MOUNT RING	.469C004P02	1
9	OUTLET SCREW	.636C017P03	2
10	OUTLET FLANGE	.249C009P01	1
11	OUTLET ELBOW	.673C015P01	1
12	RUBBER OUTLET GASKET	.269C038P01	1
13	GRIND RING	.614C060P01	1
DRAIN HOUSING ASSEMBLY		.311C082S01	1
*14	DRAIN HOUSING	.311C082P01	1
*15	THRUST WASHER	.789C041P01	1
*16	WATER SEAL	.645C006P01	1
*17	SPACER SEAL	.102C005P01	1
TURNTABLE ASSEMBLY		.258C032S03	1
*18	SLINGER	.789C034P04	1
*19	O-RING	.645C005P01	1
*20	TURNTABLE	.258C032P02	1
21	HOPPER ASSEMBLY	.311C070S01	1
22	HOPPER SCREW	.636C023P01	6
23	WASHER	.789C035P02	1
24	ARMATURE ASSEMBLY	.626C035P05	1
25	MOTOR STUD	.687C003P02	1
26	MOTOR STUD	.687C003P03	1
27	MOTOR SHELL ASSEMBLY	.681C031S14	1
ENDBELL ASSEMBLY		.311C081S04	1
*28	ENDBELL	.311C081P01	1
*29	MOTOR BRUSH & BRUSH SPRING ASSEMBLY	.027C029S02	1
30	NUT	.479C019P01	2
31	INSPECTION PLATE	.554C032P01	1
32	NUT	.479C021P01	1
33	UPPER SHELL	.806C064P05	1
34	LOWER SHELL	.806C065P05	1
35	SHELL SCREW	.636C024P01	3
†36	SINKFLANGE GASKET-WAXED (THICK)	.269C032P01	1

†NOT SHOWN

*PART OF AN ASSEMBLY, BUT CAN BE PURCHASED SEPARATELY.

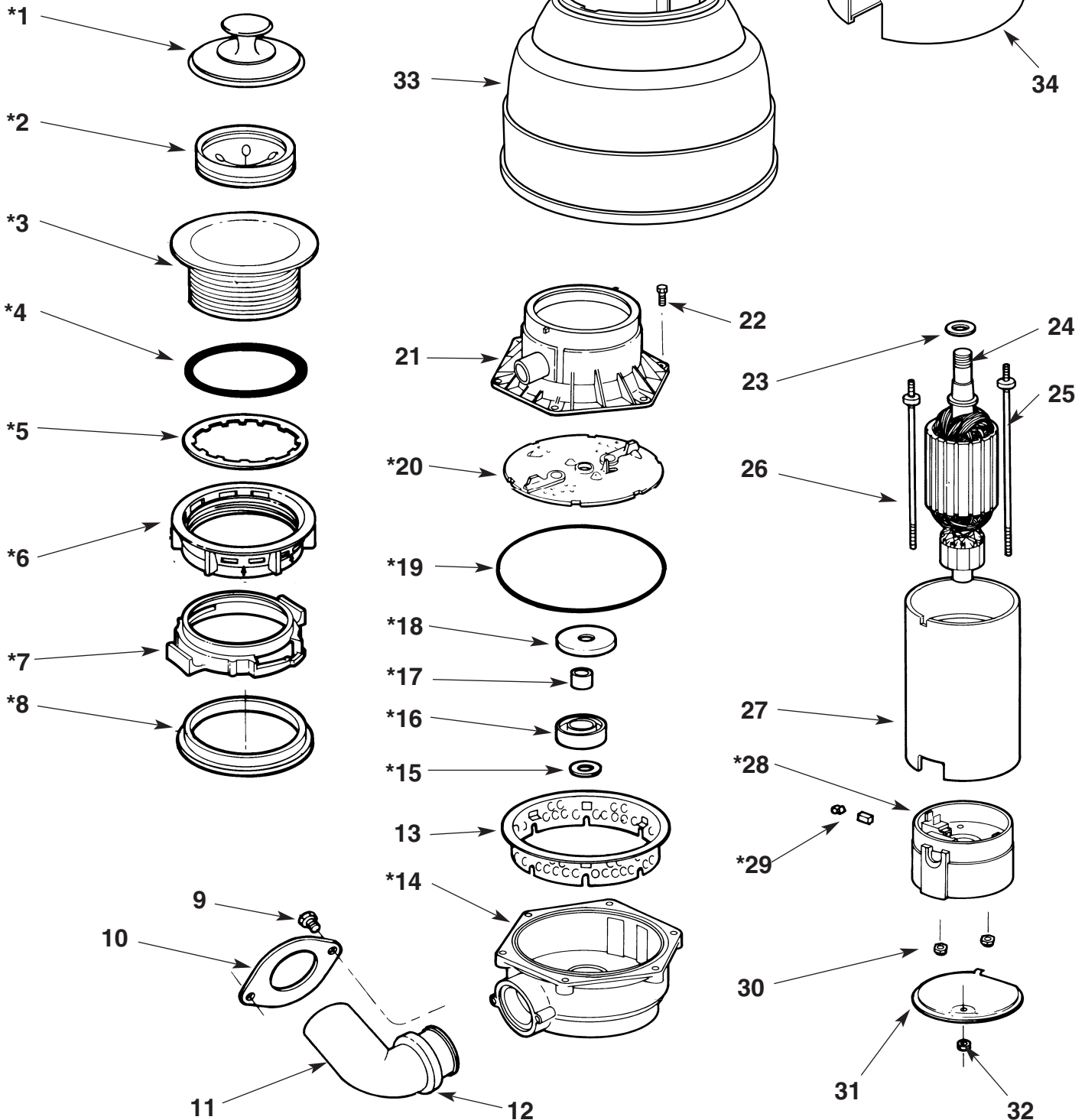


Waste King

Legend Series

by Anaheim Manufacturing Company

PARTS LIST MODEL 3300



P.O. BOX 4146
ANAHEIM, CA 92803 U.S.A.

* PART OF AN ASSEMBLY, BUT CAN BE PURCHASED SEPARATELY.

MODEL L-5000TC

ITEM #	DESCRIPTION	PART #	QTY	ITEM #	DESCRIPTION	PART #	QTY
	MOUNT ASSEMBLY	.249C019S75BF	1	33	NUT	.479C021P01	1
*1	STOPPER	.174C066S02	1	34	UPPER SHELL	.806C064P51	1
*2	SINKFLANGE & CAP ASSY.	.249C014S35	1	35	LOWER SHELL	.806C065P01	1
*3	RUBBER GASKET	.269C031P01	1	36	SHELL SCREW	.636C014P19	3
*4	FIBER GASKET (WAXED)	.269C033P01	1	37	PLUNGER BUTTON	.106C004P01	1
*5	SUPPORT RING	.614C072P01	1	38	"O" RING	.614C027P01	2
*6	MOUNT RING	.614C059P02	1	39	BUSHING	.102C003P02	1
*7	CUSHION MOUNT RING	.469C004P02	1	40	"O" RING	.614C028P01	1
8	OUTLET SCREW	.636C017P03	2	41	SCREW	.636C026P01	4
9	OUTLET FLANGE	.249C009P01	1	42	COLLAR	.154C005P02	1
10	OUTLET ELBOW	.673C015P01	1	43	SWITCH COVER	.174C021P01	1
11	RUBBER OUTLET GASKET	.269C038P01	1	44	SCREW	.636C014P03	3
12	GRIND RING	.614C060P01	1	45	SCREW	.636C019P01	2
	DRAIN HOUSING ASSEMBLY	.311C082S01	1	46	CHERRY SWITCH	.695C003P02	1
*13	DRAIN HOUSING	.311C082P01	1	47	SWITCH BRACKET	.072C001P01	1
*14	THRUST WASHER	.789C041P01	1	48	JAM NUT	.479C010P01	1
*15	WATER SEAL	.645C006P01	1	49	SPRING	.675C001P01	1
*16	SPACER SEAL	.102C005P01	1	50	WASHER	.789C011P01	1
	TURNTABLE ASSEMBLY	.258C032S04	1	51	WASHER	.789C013P01	1
*17	SLINGER	.789C034P03	1	52	RETAINER	.612C007P01	1
*18	O-RING	.645C005P01	1	53	BUSHING	.287C002P01	1
*19	TURNTABLE	.258C032P02	1	54	BUSHING	.102C004P01	2
20	HOPPER ASSEMBLY	.311C070S01	1	55	CONNECTOR FLAG	.711C010P01	2
21	HOPPER SCREW	.636C023P01	6	56	CONDUIT CLAMP	.142C001P01	1
22	ADAPTER	.614C061P02	1	57	GROUND WIRE	.299C005S08	1
23	GASKET	.269C014P01	1	58	CONDUIT	.163C003P01	1
24	WASHER	.789C035P02	1	59	LEAD WIRE (WHITE)	.299C008P05	1
25	ARMATURE ASSEMBLY.	.626C035P05	1	60	LEAD WIRE (WHITE)	.299C008P11	1
26	MOTOR STUD	.687C003P03	1	61	SPLICE	.711C009P01	1
27	MOTOR STUD	.687C003P02	1	62	GROUND SCREW	.636C027P01	1
28	MOTOR SHELL ASSEMBLY.	.681C031S14	1	63	CONDUIT CLAMP	.142C002P01	1
	ENDBELL ASSEMBLY	.311C081S81	1	64	SCREW	.636C014P18	1
*29	ENDBELL	.311C081P01	1	†65	SINKFLANGE GASKET (THICK)	.269C032P01	1
*30	MTR. BRUSH & BRUSH SPRING ASSY	.027C029S02	1				
31	NUT	.479C019P01	2				
32	INSPECTION PLATE	.554C032P01	1				

†NOT SHOWN

*PART OF AN ASSEMBLY, BUT CAN BE PURCHASED SEPARATELY.

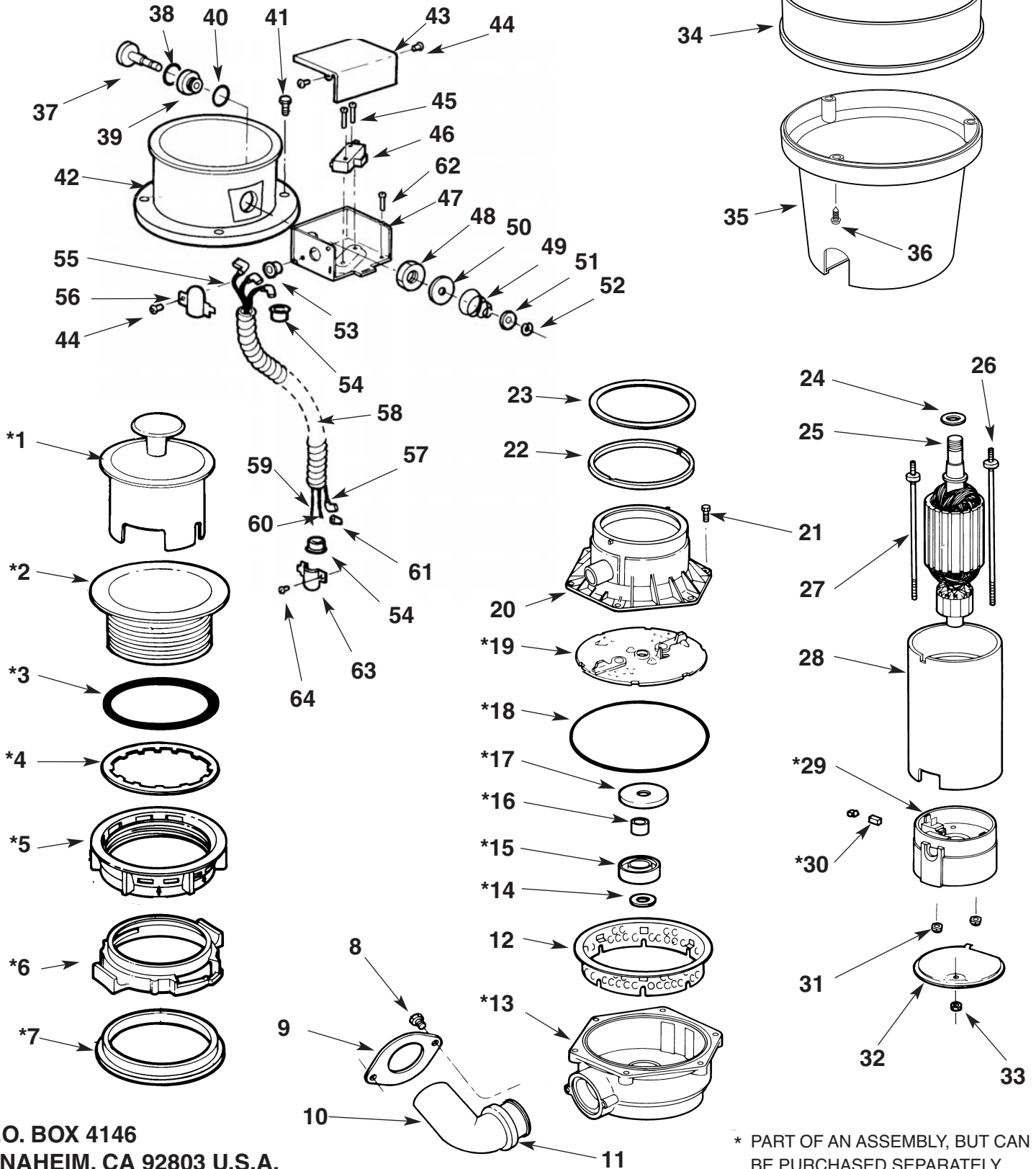


Waste King

Legend Series

by Anaheim Manufacturing Company

PARTS LIST MODEL 5000TC



P.O. BOX 4146
ANAHEIM, CA 92803 U.S.A.

* PART OF AN ASSEMBLY, BUT CAN BE PURCHASED SEPARATELY.

ITEM NO.	DESCRIPTION	MODEL L-8000	QTY. PER UNIT
MOUNT ASSEMBLY		.249C019S242	.1
*1	.STOPPER	.174C067S01	.1
*2	.SPLASH GUARD	.614C069P01	.1
*3	.SINK FLANGE & CAP ASSEMBLY	.249C014S35	.1
*4	.RUBBER GASKET	.269C031P01	.1
*5	.FIBER GASKET (WAXED)	.269C033P01	.1
*6	.SUPPORT RING	.614C072P01	.1
*7	.MOUNT RING	.614C059P02	.1
*8	.CUSHION MOUNT RING	.469C004P02	.1
9	.OUTLET SCREW	.636C017P03	.2
10	.OUTLET FLANGE	.249C009P01	.1
11	.OUTLET ELBOW	.673C015P01	.1
12	.RUBBER OUTLET GASKET	.269C038P01	.1
13	.GRIND RING	.614C060P01	.1
DRAIN HOUSING ASSEMBLY		.311C082S01	.1
*14	.DRAIN HOUSING	.311C082P01	.1
*15	.THRUST WASHER	.789C041P01	.1
*16	.WATER SEAL	.645C006P01	.1
*17	.SPACER	.102C005P01	.1
TURNTABLE ASSEMBLY		.258C032S04	.1
*18	.SLINGER	.789C034P03	.1
*19	.O-RING	.645C005P01	.1
*20	.TURNTABLE	.258C032P02	.1
21	.HOPPER ASSEMBLY	.311C070P01	.1
22	.HOPPER SCREW	.636C023P01	.6
23	.WASHER	.789C035P02	.1
24	.ARMATURE ASSEMBLY	.626C035P16	.1
25	.MOTOR STUD	.687C003P05	.1
26	.MOTOR STUD	.687C003P06	.1
27	.MOTOR SHELL ASSEMBLY	.681C031P15	.1
ENDBELL ASSEMBLY		.311C081S10	.1
*28	.END BELL	.311C081P01	.1
*29	.MOTOR BRUSH & BRUSH SPRING ASSEMBLY	.027C029S02	.1
30	.NUT	.479C019P01	.2
31	.INSPECTION PLATE	.554C032P01	.1
32	.NUT	.479C021P01	.1
33	.UPPER SHELL	.806C064P01	.1
34	.LOWER SHELL	.806C066P01	.1
35	.SHELL SCREW	.636C024P01	.3
†36	.SINK FLANGE GASKET-WAXED (THICK)	.269C032P01	.1

†NOT SHOWN

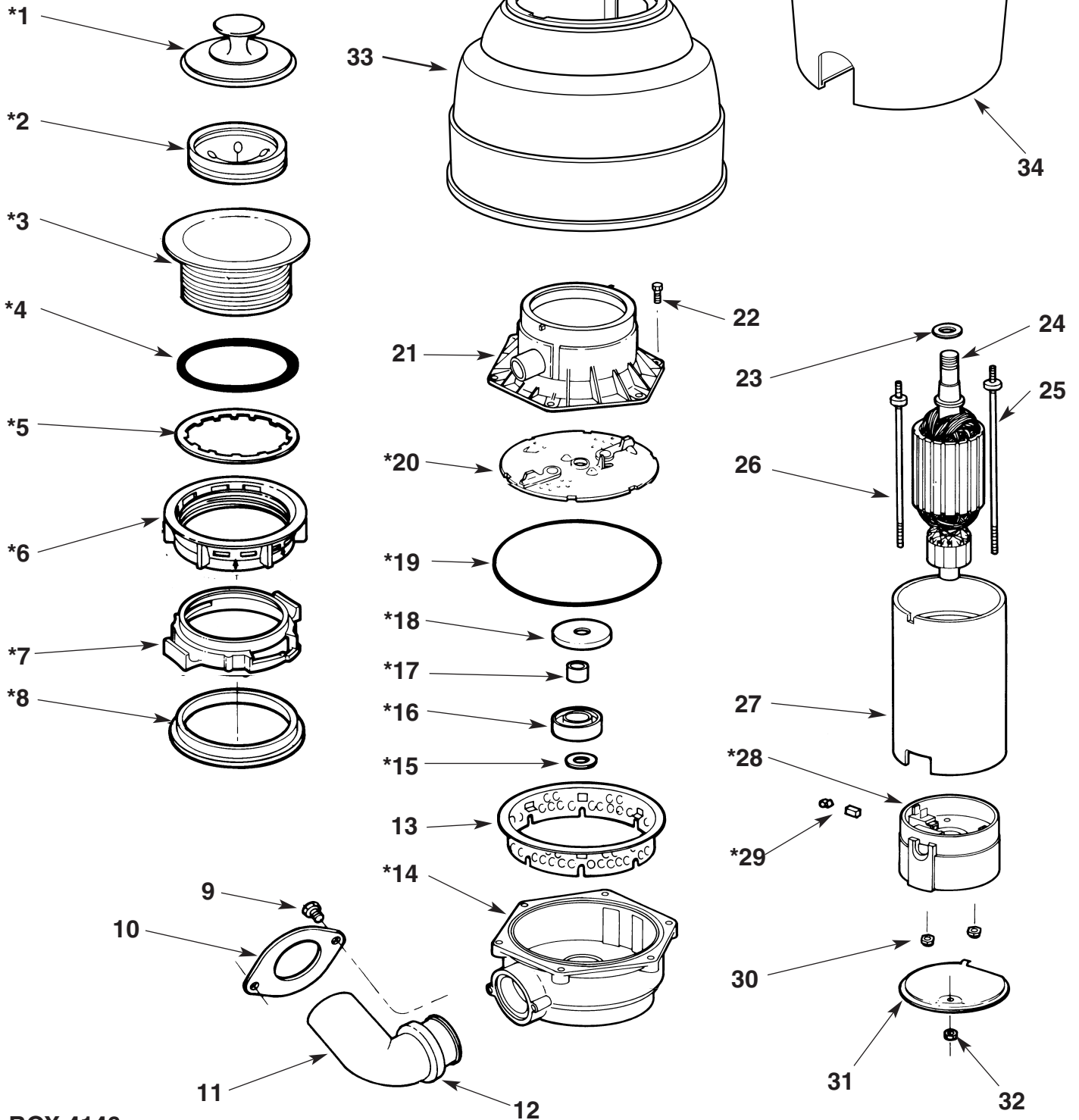
*PART OF AN ASSEMBLY, BUT CAN BE PURCHASED SEPARATELY.



Waste King Legend Series

by Anaheim Manufacturing Company

PARTS LIST MODEL 8000



P.O. BOX 4146
ANAHEIM, CA 92803 U.S.A.

* PART OF AN ASSEMBLY, BUT CAN BE PURCHASED SEPARATELY.

MODEL L-8000TC

ITEM #	DESCRIPTION	PART #	QTY	ITEM #	DESCRIPTION	PART #	QTY
	MOUNT ASSEMBLY	.249C019S75BF	1	33	NUT	.479C021P01	1
*1	STOPPER	174C066S02	1	34	UPPER SHELL	.806C064P51	1
*2	SINKFLANGE & CAP ASSY.	.249C014S35	1	35	LOWER SHELL	.806C066P01	1
*3	RUBBER GASKET	.269C031P01	1	36	SHELL SCREW	.636C014P19	3
*4	FIBER GASKET (WAXED)	.269C033P01	1	37	PLUNGER BUTTON	.106C004P01	1
*5	SUPPORT RING	.614C072P01	1	38	"O" RING	.614C027P01	2
*6	MOUNT RING	.614C059P02	1	39	BUSHING	.102C003P02	1
*7	CUSHION MOUNT RING	.469C004P02	1	40	"O" RING	.614C028P01	1
8	OUTLET SCREW	.636C017P03	2	41	SCREW	.636C026P01	4
9	OUTLET FLANGE	.249C009P01	1	42	COLLAR	.154C005P02	1
10	OUTLET ELBOW	.673C015P01	1	43	SWITCH COVER	.174C021P01	1
11	RUBBER OUTLET GASKET	.269C038P01	1	44	SCREW	.636C014P03	3
12	GRIND RING	.614C060P01	1	45	SCREW	.636C019P01	2
	DRAIN HOUSING ASSEMBLY	.311C082S01	1	46	CHERRY SWITCH	.695C003P02	1
*13	DRAIN HOUSING	.311C082P01	1	47	SWITCH BRACKET	.072C001P01	1
*14	THRUST WASHER	.789C041P01	1	48	JAM NUT	.479C010P01	1
*15	WATER SEAL	.645C006P01	1	49	WASHER	.789C011P01	1
*16	SPACER SEAL	.102C005P01	1	50	SPRING	.675C001P01	1
	TURNTABLE ASSEMBLY	.258C032S04	1	51	WASHER	.789C013P01	1
*17	SLINGER	.789C034P03	1	52	RETAINER	.612C007P01	1
*18	O-RING	.645C005P01	1	53	BUSHING	.287C002P01	1
*19	TURNTABLE	.258C032P02	1	54	BUSHING	.102C004P01	2
20	HOPPER ASSEMBLY	.311C070S01	1	55	CONNECTOR FLAG	.711C010P01	2
21	HOPPER SCREW	.636C023P01	6	56	CONDUIT CLAMP	.142C001P01	1
22	ADAPTER	.614C061P02	1	57	GROUND WIRE ASSEMBLY	.299C005S08	1
23	GASKET	.269C014P01	1	58	CONDUIT	.163C003P01	1
24	WASHER	.789C035P02	1	59	LEAD WIRE (WHITE)	.299C008P06	1
25	ARMATURE ASSEMBLY	.626C035P16	1	60	LEAD WIRE (WHITE)	.299C008P11	1
26	MOTOR STUD	.687C003P05	1	61	SPLICE	.711C009P01	1
27	MOTOR STUD	.687C003P06	1	62	GROUND SCREW	.636C027P01	1
28	MOTOR SHELL ASSEMBLY	.681C031S15	1	63	CONDUIT CLAMP	.142C002P01	1
	ENDBELL ASSEMBLY	.311C081S09	1	64	SCREW	.636C014P18	1
*29	ENDBELL	.311C081P01	1	†65	SINKFLANGE GASKET (THICK)	.269C032P01	1
*30	MTR. BRUSH & BRUSH SPRING ASSY	.027C029S02	1				
31	NUT	.479C019P01	2				
32	INSPECTION PLATE	.554C032P01	1				

†NOT SHOWN

*PART OF AN ASSEMBLY, BUT CAN BE PURCHASED SEPARATELY.

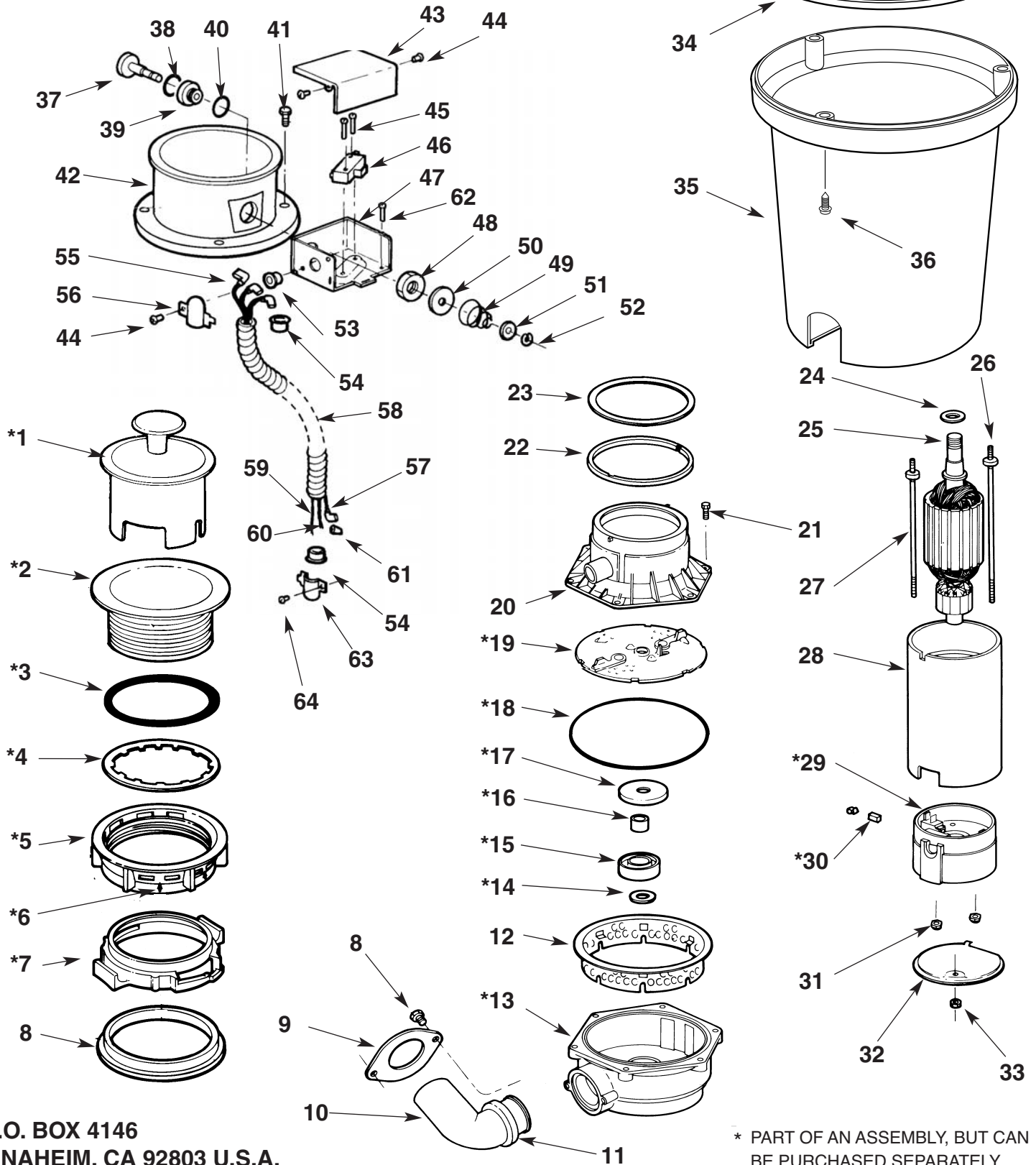


Waste King

Legend Series

by Anaheim Manufacturing Company

PARTS LIST MODEL 8000TC



P.O. BOX 4146
ANAHEIM, CA 92803 U.S.A.

* PART OF AN ASSEMBLY, BUT CAN BE PURCHASED SEPARATELY.