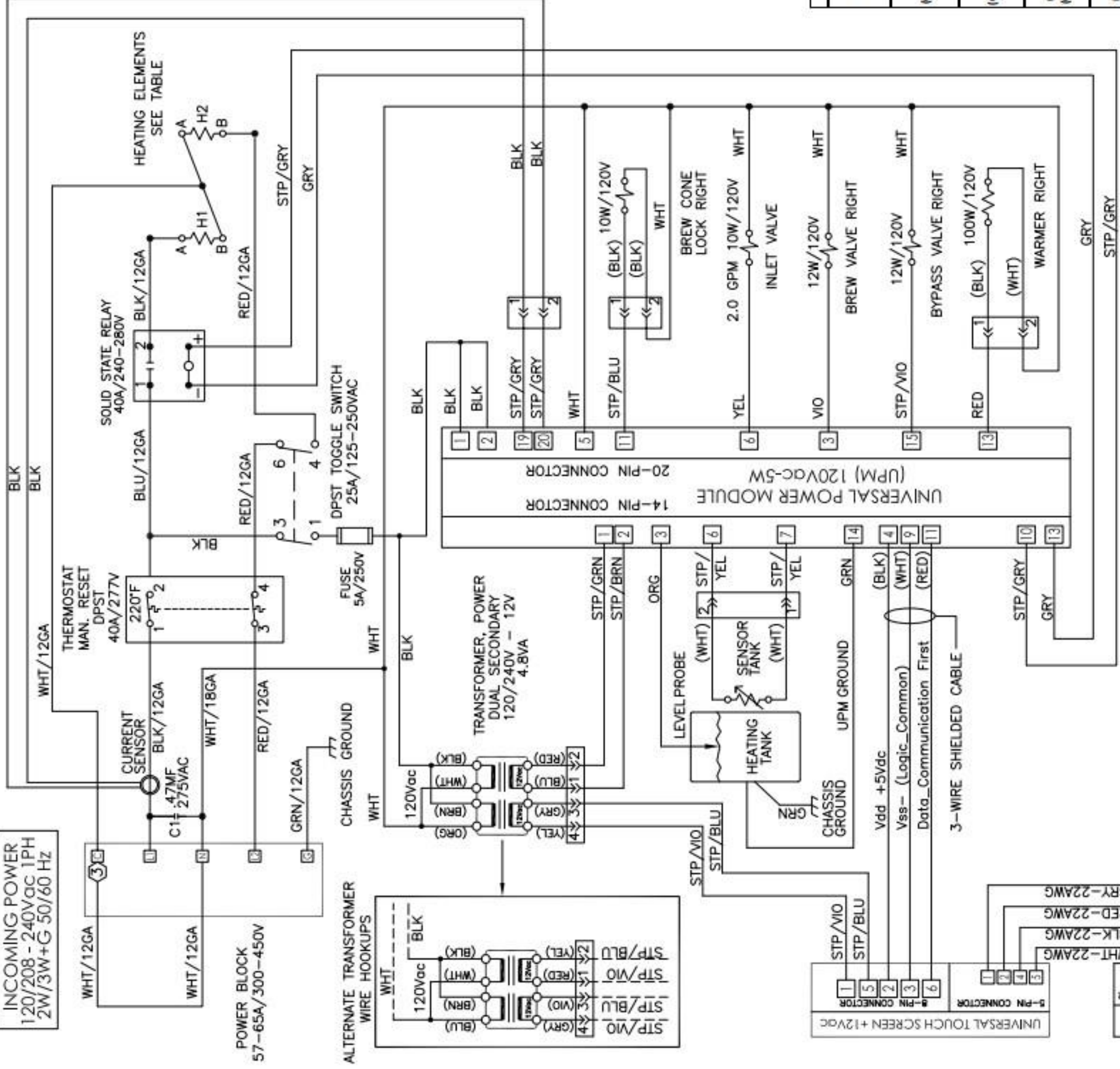
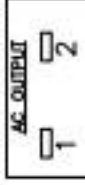
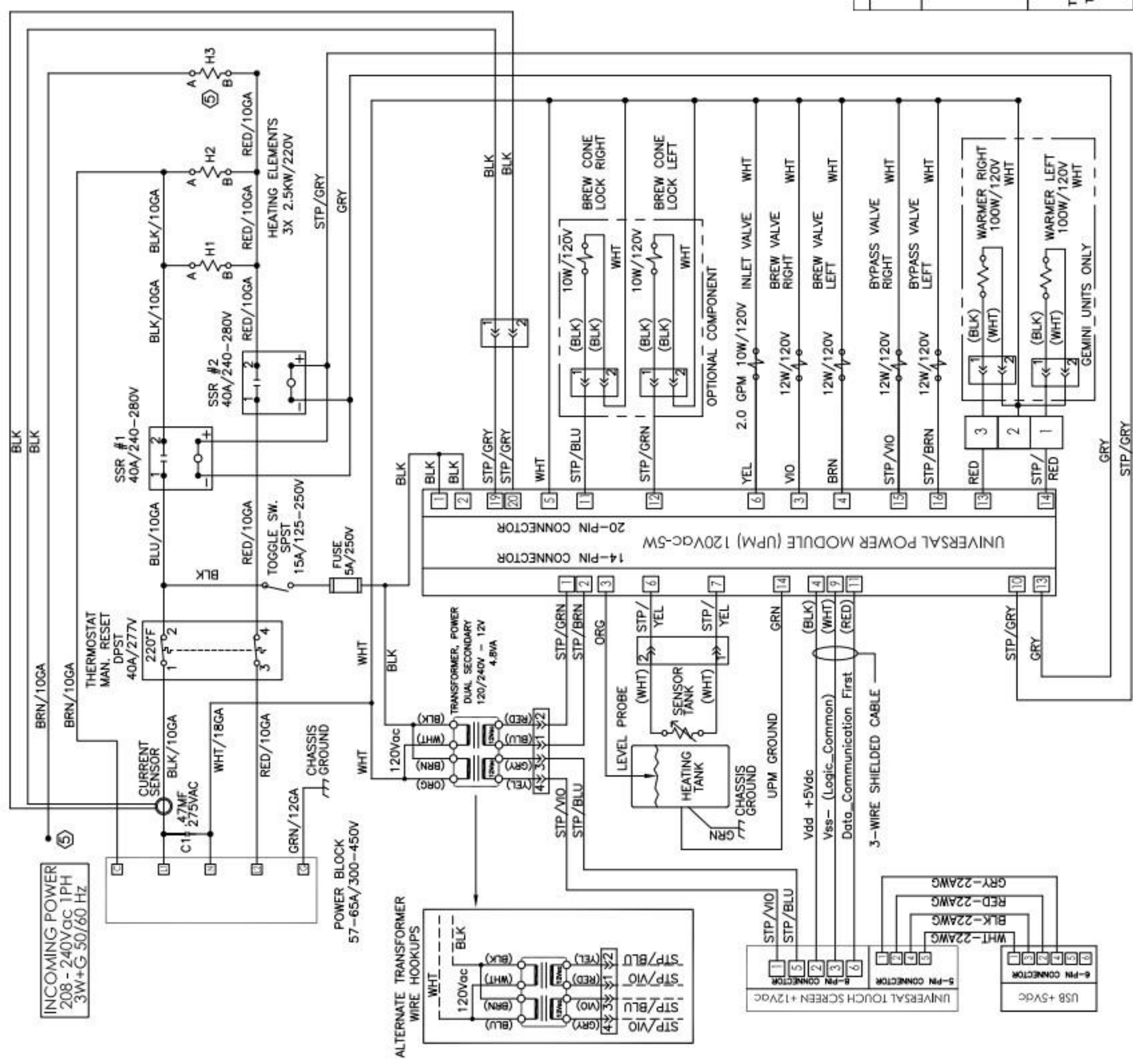


INCOMING POWER
 120/208 - 240Vac 1PH
 2W/3W+G 50/60 Hz

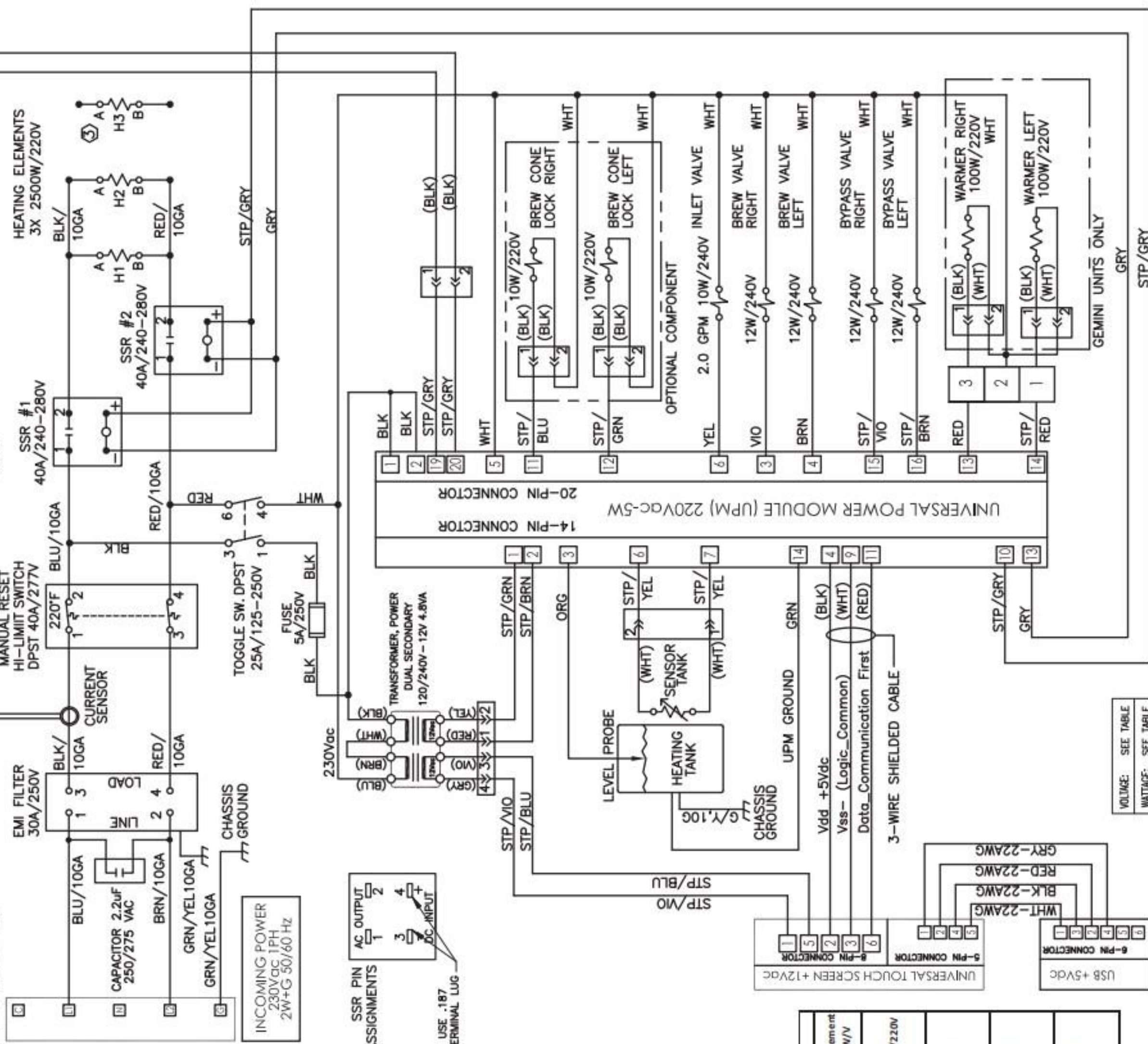


SSR PIN ASSIGNMENTS

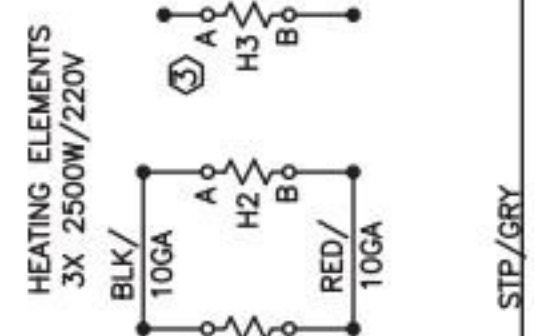




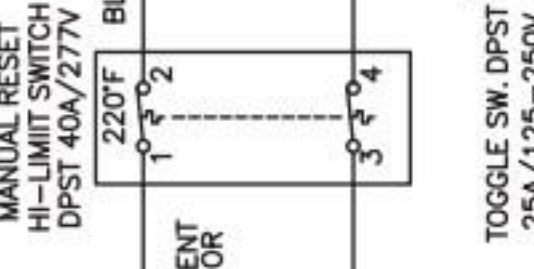
POWER BLOCK
57-65A/300-450V



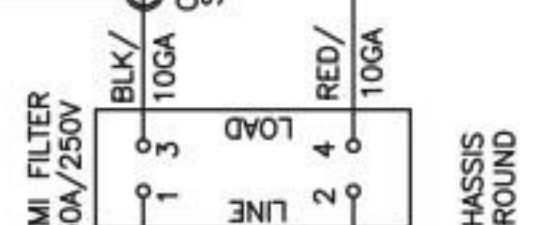
HEATING ELEMENTS
3X 2500W/220V



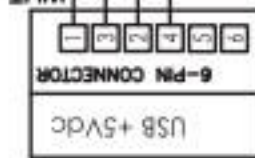
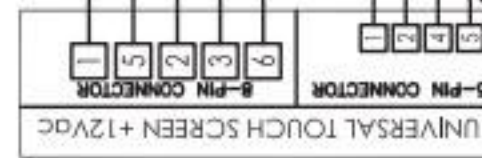
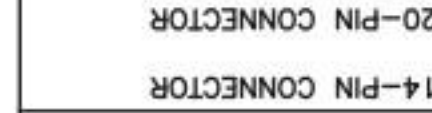
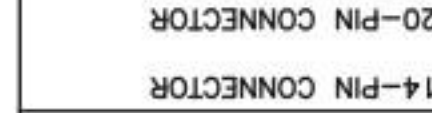
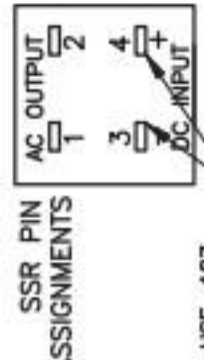
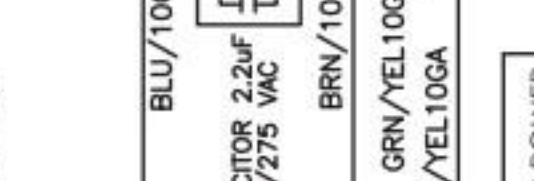
MANUAL RESET
HI-LIMIT SWITCH
DPST 40A/277V



EMI FILTER
30A/250V



INCOMING POWER
230V ac 1PH
2W+G 50/60 Hz



VOLTAGE: SEE TABLE
WATTAGE: SEE TABLE
AMPERAGE: SEE TABLE

GEMINI UNITS ONLY
GRY
STP/GRY