



G4 ThermoPro® Series 1 Gallon Coffee Brewing System



READ AND SAVE THESE INSTRUCTIONS

NOTICE TO INSTALLER: Please leave this booklet with the machine.

Key Features/Specifications/System Requirements..... FS25

Important Safeguards..... IS2

Installation Instructions (General)..... II2

Installation Instructions (Leveling, Water Supply, Electrical)..... II9

Operating Instructions OI7

Cleaning Instructions (Brewer) CI1

Cleaning Instructions (Thermal Dispensers) CI5

Cleaning Instructions (Airpot/Pour Pot) CI9

Programming Guide PG1

Rough-In Drawing..... RD31

Illustrated Parts/Recommended Parts (Main Chassis)..... IP46

Illustrated Parts/Recommended Parts (Tank Assembly, Single, Domestic)..... IP47

Illustrated Parts/Recommended Parts (Tank Assembly, Single, Export) IP48

Illustrated Parts/Recommended Parts (Tank Assembly, Twin, All) IP26

Electrical Schematic (G4TP1S63A3100)..... ES41

Electrical Schematic (G4TP1S30A3100)..... ES50

Electrical Schematic (G4TP1T10A3100)..... ES42

Electrical Schematic (G4TP1T30A3100)..... ES52

Troubleshooting Guide (General)..... TG3

Troubleshooting Guide (SSR Circuit) TG7

Troubleshooting Guide (Diagnostics) TG11

Error Codes EC1

Product Warranty..... PW1

Contact Information

Wilbur Curtis Co., Inc.

6913 Acco Street | Montebello, CA 90640 US
 Phone: 323-837-2300 | Toll Free: 800-421-6150
 Email: csrcassistance@wilburcurtis.com | Web: www.wilburcurtis.com

For the latest specifications and information go to www.wilburcurtis.com
 Toll Free: 800-995-0417 | Monday - Friday 5:30 A.M. - 4:00 P.M. PT
 Email: techsupport@wilburcurtis.com

Due to continued product improvement, the products illustrated/photographed in this guide may vary slightly from the actual product.

Key Features

- Gold Cup[®] Series – digital control module provides precise control over all aspects of brewing: time, temperature, volume plus specialty coffee needs from pre-infusion to pulse-brewing to water bypass.
- Generation Four (G4) Digital Control Module – Large, 4.3" touch screen. Icon-driven interface streamlines operation. On-Screen Instructions – Provides fast, intuitive training; reduces service calls.
- Built-in Self Diagnostic System – Includes real-time feedback of the brewing process and energy saving mode.
- Stainless steel ThermoPro[®] vacuum-sealed servers keep coffee fresh, hot and flavorful.
- Pre-Set, One-Touch Global Recipes – Based on coffee type, grind and weight.
- Single unit is field selectable for one, two or three batch brewing.
- Centrally located hot water spout for instant hot beverages and other hot water needs.
- Industry's most effective mineral tolerant design.

Specifications (Selected Models)

Electrical Supply Requirements

MODEL #	DESCRIPTION	PHASE	VOLTS	AMPS	HEATING CONFIG	WIRE	WATTS	HERTZ	GAL/HR
G4TP1S63A3100	Single brewer, dual voltage	1 PH	120/220 V	13.8/12.2 A	2 x 1600 W	2/W3W + G	1650/2700 W	50/60 Hz	4.5/10.0
G4TP1T10A3100	Twin brewer	1 PH	220 V	23.0/34.5 A	3 x 2500 W	3W + G	5100/7600 W	50/60 Hz	15.0/21.0

Export

G4TP1S30A3100	Single brewer, export	1 PH	230 V	20.0 A	2 x 2000 W	2W + G	4600 W	50/60 Hz	12.0
G4TP1T30A3100	Twin brewer, export	1 PH	230 V	24.2 A	2 x 2500 W	2W + G	5574 W	50/60 Hz	15.0

Dimensions

MODEL #	HEIGHT	WIDTH	DEPTH	SHIP WEIGHT	SHIP CUBE	WATER CONNECTOR	WATER PRESSURE	MIN. FLOW RATE
G4TP1S63A3100	24.73"	11.07"	20.75"	44.0 lbs	7.1 cu ft	3/8" flare	20 - 90 psi	1.0 gpm
G4TP1T10A3100	24.98"	20.07"	20.75"	75.0 lbs	10.8 cu ft	3/8" flare	20 - 90 psi	2.0 gpm

Export

G4TP1S30A3100	24.73"	11.07"	20.75"	44.0 lbs	7.1 cu ft	3/8" flare	20 - 90 psi	1.0 gpm
G4TP1T30A3100	24.98"	20.07"	20.75"	75.0 lbs	10.8 cu ft	3/8" flare	20 - 90 psi	2.0 gpm

Water Supply Requirements

Following are the factory default settings for the ThermoPro brewer:

- Brew Temperature = 200°F
- Brew Volume = Large-Small
- Water Bypass = On LARGE and MEDIUM brew only
- Energy Save Mode = Off

Symbols



This is the safety alert symbol. It is used to alert you to potential physical injury hazards. Obey all safety messages that follow this symbol to avoid possible injury or death.



DANGER - Indicates a hazardous situation which, if not avoided, will result in death or serious injury.



WARNING - Indicates a hazardous situation which, if not avoided, could result in death or serious injury.



CAUTION - Indicates a hazardous situation which, if not avoided, could result in minor or moderate injury.



NOTICE - Indicates a situation which, if not avoided, could result in property damage.



IMPORTANT - Provides information and tips for proper operation.



SANITATION REQUIREMENTS



WARNING - This product can expose you to chemicals including Acrylamide and Bisphenol A (BPA), which are known to the State of California to cause cancer and birth defects or other reproductive harm. For more information visit www.P65Warnings.ca.gov.

Important Safeguards/Conventions



WARNING:

- Make sure that this appliance is installed and grounded according to the INSTALLATION INSTRUCTIONS by qualified personnel before attempting to use it. Failure to follow the INSTALLATION INSTRUCTIONS could result in personal injury or void the warranty.
- This appliance is designed for commercial use. Any service other than cleaning and preventive maintenance should be performed by an authorized Wilbur Curtis service technician.
- To reduce the risk of fire or electric shock, DO NOT open the service panels. There are no user serviceable parts inside.
- Keep hands, arms and other items away from hot surfaces of the unit during operation.
- Clean the appliance and any dispensers completely before using them for the first time according to the CLEANING INSTRUCTIONS. Clean them regularly as instructed in the CLEANING INSTRUCTIONS.
- Use this appliance only for its intended use, brewing/dispensing hot and/or cold beverages/water.
- This appliance is not intended for use by persons (including children) with reduced physical, sensory or mental capabilities or lack of experience and knowledge, unless they have been given supervision or instruction concerning use of the appliance by a person responsible for their safety. Children should be supervised to ensure that they do not play with the appliance.
- Avoid spillage onto the power (mains) connector.

CE Requirements

- This appliance must be installed in locations where it can be overseen by trained personnel.
- For proper operation, this appliance must be installed where the temperature is between 5°C to 35°C.
- Appliance shall not be tilted more than 10° for safe operation.
- An electrician must provide electrical service as specified in conformance with all local and national codes. For safe use, an all-pole disconnection must be incorporated into the fixed wiring in accordance with the wiring rules outlined in clause 7.12.2 of IEC 60335 for meeting the minimum electrical safety of this standard.
- This appliance must not be cleaned by water jet.
- This appliance can be used by persons aged from 18 years and above if they have been given supervision or instruction concerning use of the appliance in a safe way and if they understand the hazards involved.
- Keep the appliance and its cord out of reach of children aged less than 18 years.
- Appliances can be used by persons 18 years and above with reduced physical, sensory or mental capabilities or lack of experience and knowledge if they have been given supervision or instruction concerning use of the appliance in a safe way and understand the hazards involved.
- Children under the age of 18 years should be supervised to ensure they do not play with the appliance.
- If the power cord is ever damaged, it must be replaced by the manufacturer or authorized service personnel with a special cord available from the manufacturer or its authorized service personnel in order to avoid a hazard.
- Machine must not be immersed for cleaning.
- Cleaning and user maintenance shall not be made by children unless they are older than 18 years and supervised.
- This appliance is intended to be used in household and similar applications such as:
 - staff kitchen areas in shops, offices and other working environments;
 - by clients in hotels, motels and other residential type environments;
 - bed and breakfast type environments.
- This appliance not intended to be used in applications such as:
 - farm houses
- Access to the service areas permitted by Authorized Service personnel only.
- The A-Weighted sound pressure level is below 70 dBA.



WARNING: Installation is to be performed only by a qualified installer.



WARNING: Improper electrical connection may result in an electric shock hazard. This brewer must be properly grounded.



NOTICE: DO NOT connect this brewer to a hot water supply. The water inlet valve is not rated for hot water. Do not exceed the maximum water pressure stated in the *SPECIFICATIONS* section.



IMPORTANT: Observe all governing codes and ordinances.

Installation Instructions

Installation Requirements

- A secure surface capable of supporting the weight of the appliance.
- For units without an attached cord set: Appropriately sized, UL listed, grounding type power cable to meet the electrical specifications for the appliance. If you have questions about the correct cable size and length, consult a qualified installer. If the appliance will be hard wired to a junction box, the power cable must be long enough so that the unit can be moved for cleaning underneath.
- A grounded electrical connection to an electrical circuit that meets the electrical specifications of the appliance (see *SPECIFICATIONS*). The circuit must be protected by the appropriate sized circuit breaker. If you are not certain that the existing circuit meets the requirements for your unit, consult a licensed electrician.
- A water filtration system is required to maintain trouble-free operation. Wilbur Curtis Co., Inc. recommends a Wilbur Curtis approved water filter. See the Curtis Equipment Catalog for a full line of Wilbur Curtis approved water filters.
- Potable water supply line connection from the water filter capable of supplying the minimum flow rate required by the specifications. The water supply line must be able to connect to the flare fitting on the back of the unit. See the *SPECIFICATIONS* section for the correct size. The water line should also be capable of being controlled by a shut off valve. Do not connect the water line to a saddle valve or needle valve.



NSF International requires the following water connection:

- 1 A quick disconnect or additional coiled tubing (at least two times the depth of the appliance) is required so that it can be moved for cleaning underneath.
- 2 This equipment is to be installed with adequate back-flow protection to comply with applicable federal, state and local codes.
- 3 Water pipe connections and fixtures directly connected to a potable water supply shall be sized, installed and maintained in accordance with federal, state and local codes.

The International Plumbing Code of the International Code Council and the Food and Drug Administration (FDA) Food Code manual, direct that this equipment must be installed with adequate back-flow prevention in compliance with federal, state and local codes. For units installed outside of the U.S.A., make sure that the installation is in compliance with the applicable plumbing/sanitation code for your area.

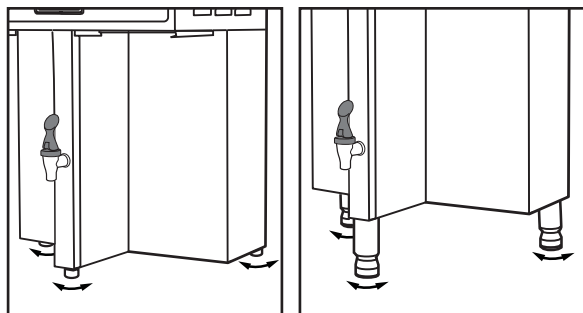
Installation

Leveling



WARNING: Use the leveling legs to level the brewer only. Do not use them to adjust brewer height. Do not extend them higher than necessary.

- 1 Position the brewer on the counter top. Level it left to right and front to back by turning the bottom of the legs.



Connect the Water Supply

- 2 Flush the water supply line prior to installation to purge air and debris from the water filter and tubing.
- 3 Connect the water supply line to the flare fitting on the back of the brewer. Leave the water supply valve closed until the power is connected.

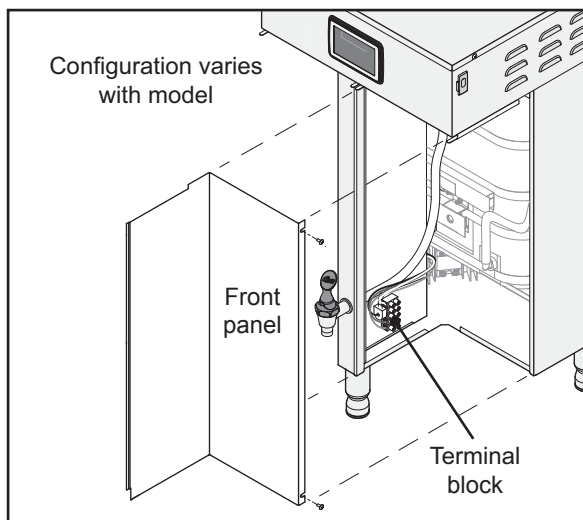


Connecting the Power Cord (units without power cord installed or units being converted from 120 Volt to 200 - 240 Volt operation)



WARNING: Turn off power to the circuit at the circuit breaker panel before connecting the power cable to the brewer.

- 4 Remove the screws that hold the front panel in place and remove it.
- 5 Loosen the strain relief on the back of the brewer.
- 6 On units equipped with an existing 120 Volt power cord, disconnect the cord from the terminal block and remove it. Locate, disconnect and cap the jumper wire between the “C” and “N” terminals on the terminal block.
- 7 Feed the end of the power cable, through the strain relief and into the unit and connect it to the terminal block according to the *ELECTRICAL SCHEMATIC*.
- 8 Tighten the strain relief and replace the front panel.
- 9 If a power plug will not be used, connect the power cable wires directly to the terminals in the junction box. See the *ELECTRICAL SCHEMATIC* for the power supply requirements.



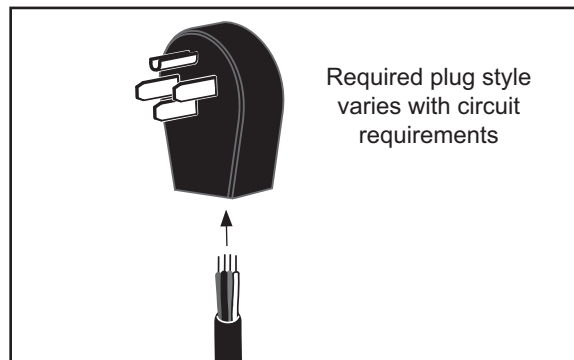
continued...

Connect the Brewer Wiring (cont.)

Installing the Power Plug (units that do not have a pre-installed plug and will be connected to a power receptacle)



WARNING: Connect the power cord to the appropriate type and size electrical outlet. If the electrical outlet is not compatible with the power cord, have it upgraded by a licensed electrician. Do not modify the power plug. Do not use an extension cord. Do not use a power cord/plug that is damaged.



- 10 Connect the appropriate type of grounded power plug to the end of the power cord coming from the back of the unit.

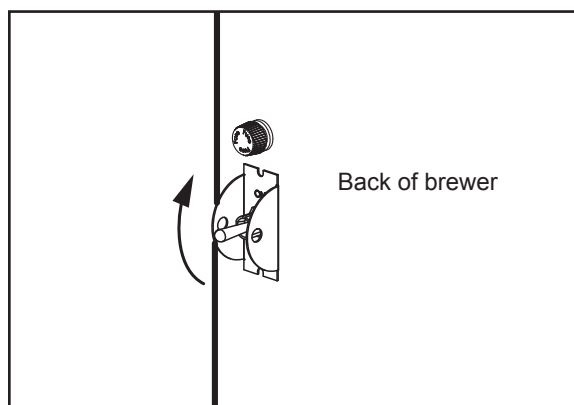
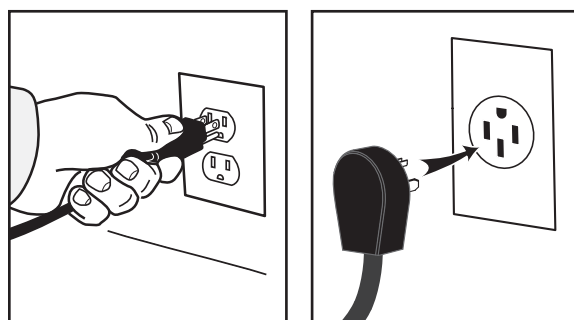
Powering up the Unit

Units Operating with a power plug:

- 11 Connect the power plug to the appropriate type of electrical outlet.

All Units:

- 12 Turn on the water supply valve.
- 13 Make sure that the circuit breaker supplying power to the unit is on.
- 14 Turn the toggle switch on the back of the brewer to the ON position. The water tank will start to fill. While the tank is filling, inspect the water supply line for leaks. Go to the **PROGRAMMING GUIDE** section and program the brewer for the correct model and batch number.



IMPORTANT: When operating the unit at higher elevations, reduce the default operating temperature (200°F/92°C) by 2°F/1°C for each 1000 feet (300 m) of elevation above 4000 feet (1200 m). See **PROGRAMMING GUIDE**.

- 15 When the water level in the tank rises to the correct volume, the heating elements will turn on automatically. Depending on the incoming water temperature and the electrical specifications, the water tank typically requires 20 to 30 minutes to reach the factory set operating temperature. When the water has heated, "Ready to Brew" should be on the display.

continued...

Powering up the Unit (cont.)

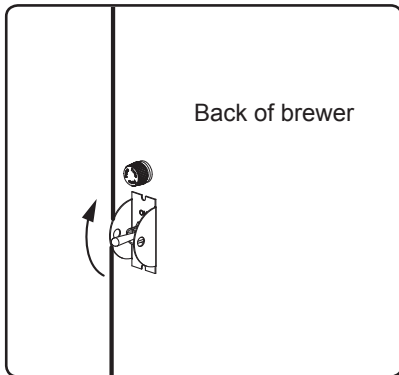
- 16 Before brewing for the first time, dispense 12 ounces of hot water through the hot water faucet to help purge air from the tubing inside the brewer.

- 17 Brew a cycle of at least 12 ounces, to purge any remaining air from the tubing. See ***OPERATING INSTRUCTIONS***. During the initial brew cycle and whenever the filter is replaced, you may hear the sounds of air being purged from the filter, tubing and water tank.

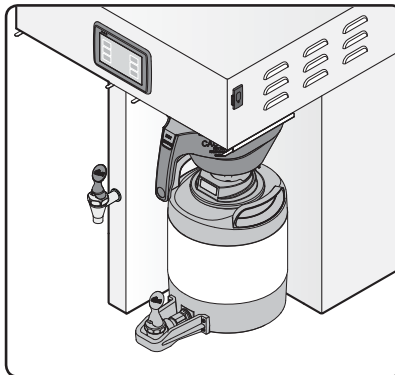
Brewing Instructions

WARNING - TO AVOID SCALDING, AVOID SPLASHING. Keep body parts clear of the brewer during brewing. Do not remove the brew basket while “Brewing” appears on the display.

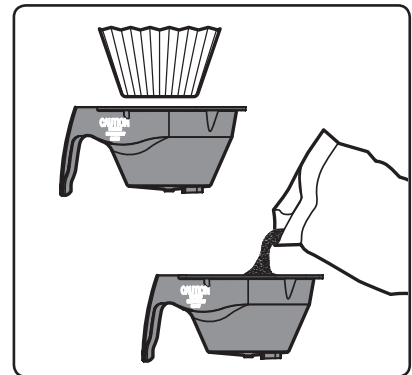
The G4 ThermoPro Brewer is factory preset for optimal performance.



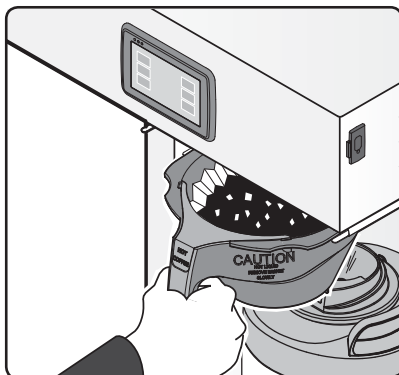
1 The brewer should be ON. Confirm this at the rear toggle switch. “Ready to brew” should be on the display. If the brewer is connected to an inter-lock grinder, the grinder should be on. When inter-lock connection is made, grind coffee at this time.



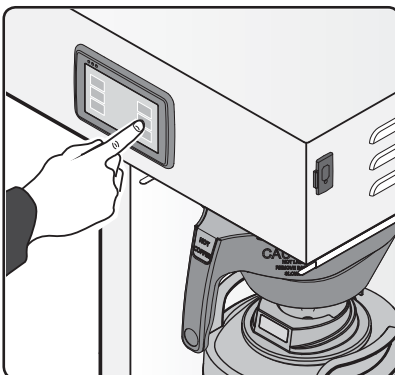
2 Center an empty dispenser under the brew basket.



3 Insert a clean paper filter into the brew basket. Fill with the proper amount of ground coffee. Level the coffee in the filter.



4 Slide the filled brew basket into the brew rails under the control panel. Slide it all the way back until it stops.



5 Hold your finger on the appropriate brew icon. As soon as you hear the click of the brew valve, lift your finger. Brewing will begin.

ENTER BREW CODE		
1	2	3
4	5	6
7	8	9
Del	0	OK

6 If a keypad appears on the display, the brew code feature is enabled (default is off). **Brewing will start immediately after you enter the brew code.** See the *PROGRAMMING GUIDE* to set up/disable the brew code.

The brewer will brew coffee based on the settings programmed into the universal control module (UCM). To change the settings, see the *PROGRAMMING GUIDE* section.



WARNING: HOT SURFACES - To avoid injury, allow the brewer and dispenser(s) to cool before cleaning.



NOTICE - Do not use cleaning liquids, compounds or powders containing chlorine (bleach) or corrosives. These products promote corrosion and will damage the finishes. **USE OF THESE PRODUCTS WILL VOID THE WARRANTY.**

Cleaning The Brewer - Daily



WARNING: DO NOT immerse the brewer in water or any other liquid.

The brewer should be OFF. Turn the brewer off by flipping the rear toggle switch to the OFF position.

- 1 Remove the dispenser(s). Wipe exterior brewer surfaces with a damp cloth to remove spills and debris.
- 2 Remove the brew basket(s) and clean them in a mild detergent solution. Use a soft bristled brush for hard to clean areas. Rinse with clean water, then dry.
- 3 Wipe the spray head area with a cloth soaked in a mild detergent solution. Rinse with a cloth soaked with clean water removing any residual detergent. Use a clean, soft cloth to dry.
- 4 Dump out the drip tray(s) (if applicable). Rinse with clean water, then dry with a soft, clean cloth.

Cleaning The Brewer - Weekly

The brewer should be OFF. Turn the brewer off by flipping the rear toggle switch to the OFF position.

- 1 Remove the spray head(s), unscrewing counterclockwise from the dome plate.
- 2 Thoroughly clean and rinse the dome plate area.
- 3 Clean the brew basket rails with a brush soaked with a mild detergent solution. Rinse the area with a cloth soaked with clean water, removing any residual detergent.
- 4 Dry the area with a soft, clean cloth.
- 5 Reattach the spray head(s).

Cleaning the 1.0 Gallon or 1.5 Gallon Thermal Dispensers (Daily)



WARNING: DO NOT immerse the thermal server or its lid assembly in water or any other liquid. Do not place the thermal server or lid in a dishwasher. Placing a thermal server in a dishwasher will void the warranty.
To avoid damage, DO NOT use a brush to clean the faucet or the inside of the faucet shank (outlet).

Cleaning the Container

- 1 Prepare a mild solution of detergent and warm water. Remove the server from the brewer and remove the lid. Rinse.
- 2 **Wash** - Wipe the exterior surfaces of the container with a sponge soaked with the detergent solution to remove spills and debris. Remove the lid and fill the liner with the detergent solution. Take a sponge brush and scrub out the stainless steel liner and the lid.
- 3 **Rinse** - Rinse with clean, warm water.
- 4 **Sanitize** - Sanitize the interior of the server and the lid, using a commercial sanitizer suitable for food grade applications. Sanitize according to the directions on the package.
- 5 Disassemble the faucet - Unscrew the handle/bonnet assembly from the top of the faucet and remove it. Inspect the seat cup for wear. Replace the seat cup if it is damaged.

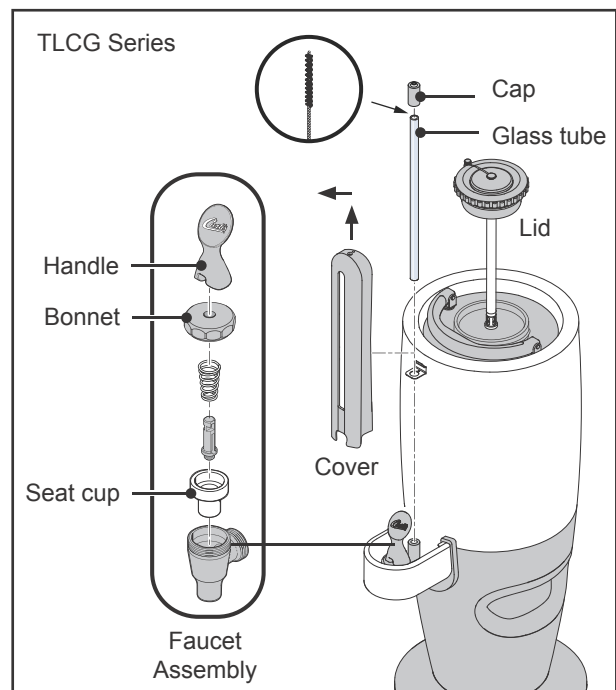
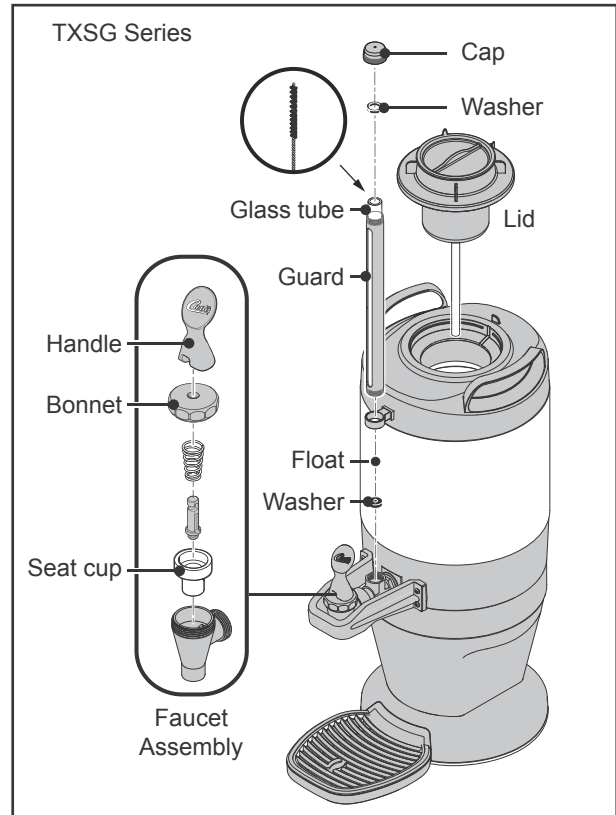
Disassemble the sight gauge (some versions). If the sight gauge has a cover, pull it up and off to remove. Remove the cap to disassemble the gauge (both versions). Some versions are equipped with a guard that must be unscrewed to access the lower washer and float. Remove the glass tube. Inspect it for cracks or chips. If broken, replace the glass with a new one.

- 6 **Air Dry** - Turn the container and lid upside down and allow to air dry.

Cleaning the Faucet Parts and Site Gauge

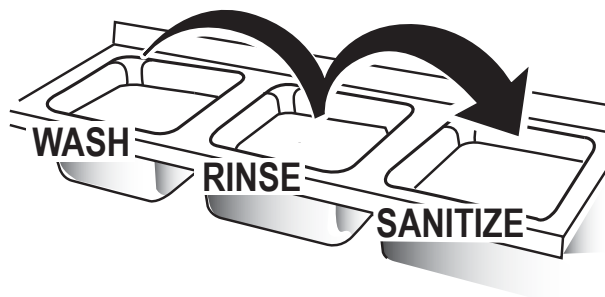
- 7 **Wash** - Wash all faucet and gauge glass parts with the detergent solution. Using the supplied brush, clean inside the fill tube on the lid. Clean the inside of the gauge glass with a gauge brush soaked with detergent solution.
- 8 **Rinse** - Thoroughly rinse all parts with clean, warm water.

continued....



Cleaning the Faucet Parts and Gauge Glass (cont.)

- 9 **Sanitize** - After rinsing, place all faucet and gauge parts in a sink to be sanitized. Immerse them in a commercial sanitizer suitable for food grade applications. Sanitize according to the directions on the package.
- 10 **Air Dry** - Allow all parts to thoroughly air dry.
- 11 **Reassemble** - When dry, reassemble the handle/bonnet. Hand tighten the handle/bonnet onto the top of the faucet assembly, reinstall the site gauge and cover. If replacing a broken gauge glass, carefully remove any traces of glass from the silicone parts before inserting the new gauge glass tube. Reinstall the lid.



Cleaning the Airpot/Pour Pot (Daily)

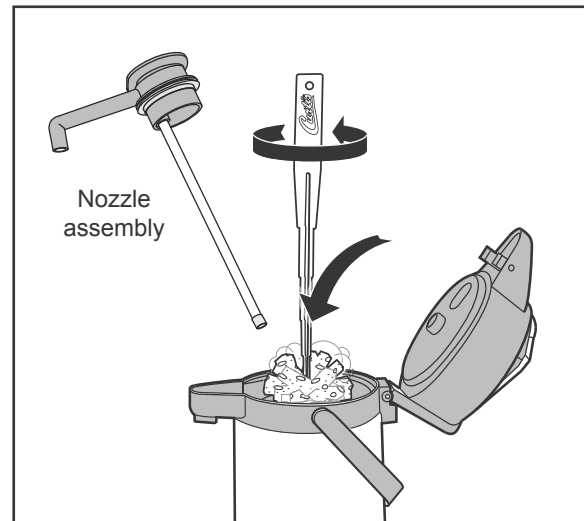


WARNING: DO NOT immerse the airpot/pour pot or lid assembly in water or any other liquid. Do not place the airpot/pour pot or lid in a dishwasher. Placing a airpot or pour pot in a dishwasher will void the warranty.

Start by preparing a mild solution of detergent and warm water. Remove the airpot/pour pot from the brewer and remove/open the lid. On airpots, remove the nozzle assembly. Rinse.

Cleaning Airpots

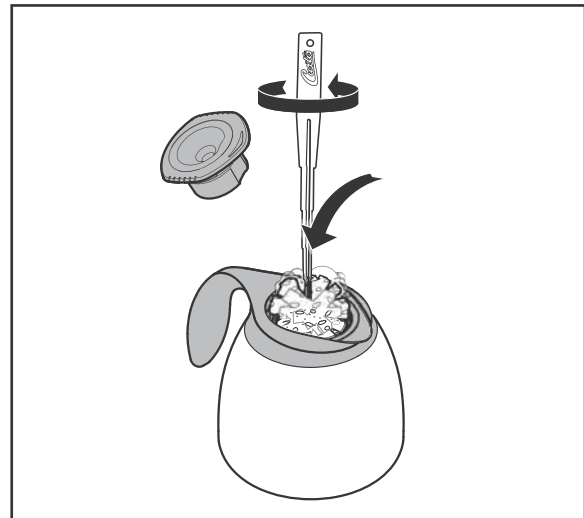
- 1 **Wash** - Wipe the exterior surfaces of the airpot and lid with a sponge soaked with the detergent solution to remove spills and debris. Fill the liner with the detergent solution. Use a sponge cleaning brush to clean inside. Clean the spout/siphon tube with the detergent solution.
- 2 **Rinse** - Rinse the airpot and the spout/siphon tube with clean, warm water.
- 3 **Sanitize** - Sanitize the interior of the airpot, the spout/siphon tube and the lid, using a commercial sanitizer suitable for food grade applications. Swab, brush or pressure spray the sanitizing solution according to the directions on the package.
- 4 **Air Dry** - Turn the airpot and lid upside down. Allow all parts to air dry.



TLXA2201G000 shown. Appearance and size varies with model number.

Cleaning Pour Pots

- 1 **Wash** - Wipe the exterior surfaces of the pour pot and lid with a sponge soaked with the detergent solution to remove spills and debris. Fill the liner with the detergent solution. Use a sponge cleaning brush to clean inside.
- 2 **Rinse** - Rinse the pour pot and the lid with clean, warm water.
- 3 **Sanitize** - Sanitize the interior of the pour pot and the lid, using a commercial sanitizer suitable for food grade applications. Swab, brush or pressure spray the sanitizing solution according to the directions on the package.
- 4 **Air Dry** - Turn the pour pot and lid upside down and allow to air dry.



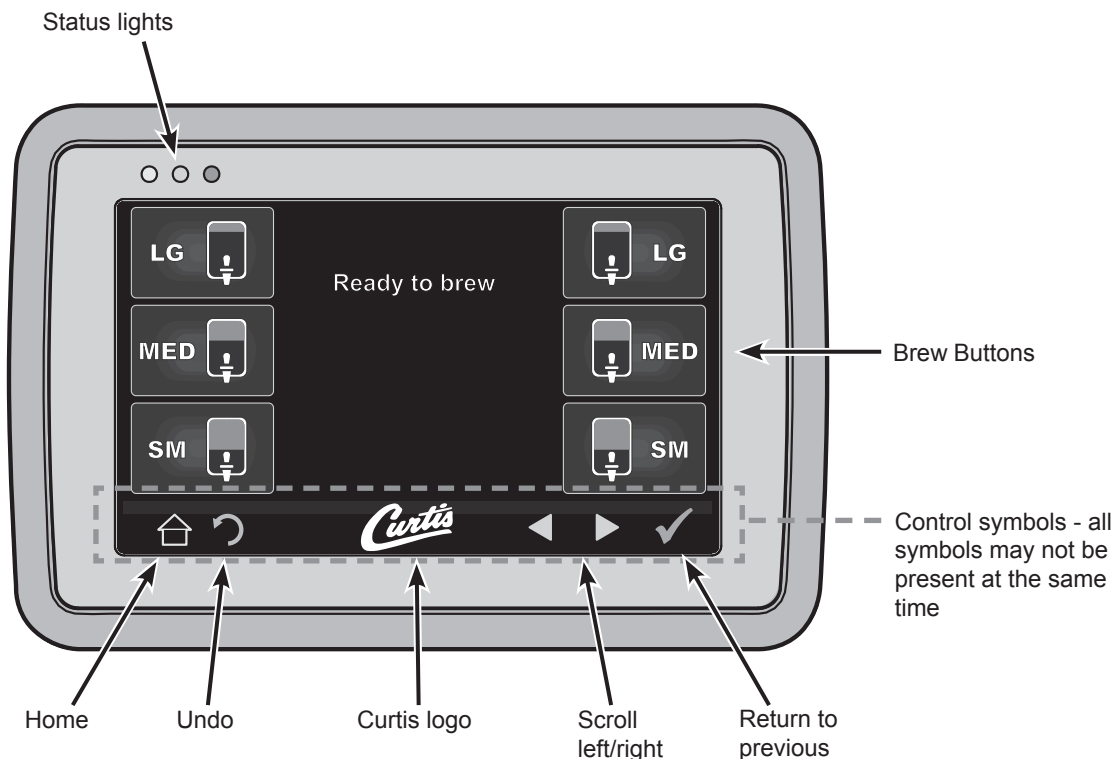
CLXP6401S100 shown. Appearance and size varies with model number.



NOTE: The stem on the bottom of TFT series pour pot lids have a built-in sensor used for the FreshTrac[®] feature. Keep this stem free from coffee oil build-up for proper operation. After cleaning, inverting the lid for 30 seconds resets the FreshTrac timer.

Touchscreen Control Module

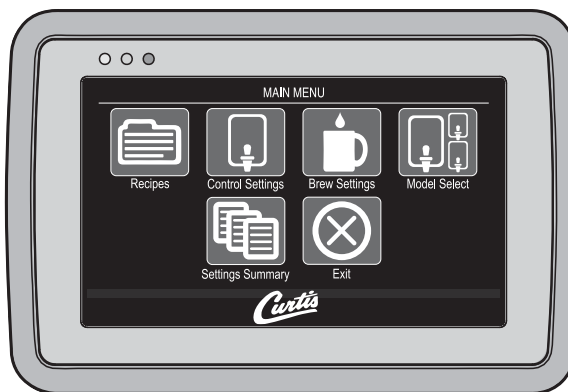
The touchscreen turns on whenever power is provided to the brewer and the rear toggle switch is on. The symbol buttons on the screen control operation and programming. Pressing the on-screen symbols and buttons with your finger tip activates the various functions. The default screen, as well as additional control buttons are shown below. The configuration of the default screen varies depending on the brewer model.



Entering Programming Mode

1 Tap the (white) Curtis logo on the touchscreen five (5) times to enter programming mode (see diagram above).

ENTER ACCESS CODE		
1234		
1	2	3
4	5	6
7	8	9
Del	0	OK

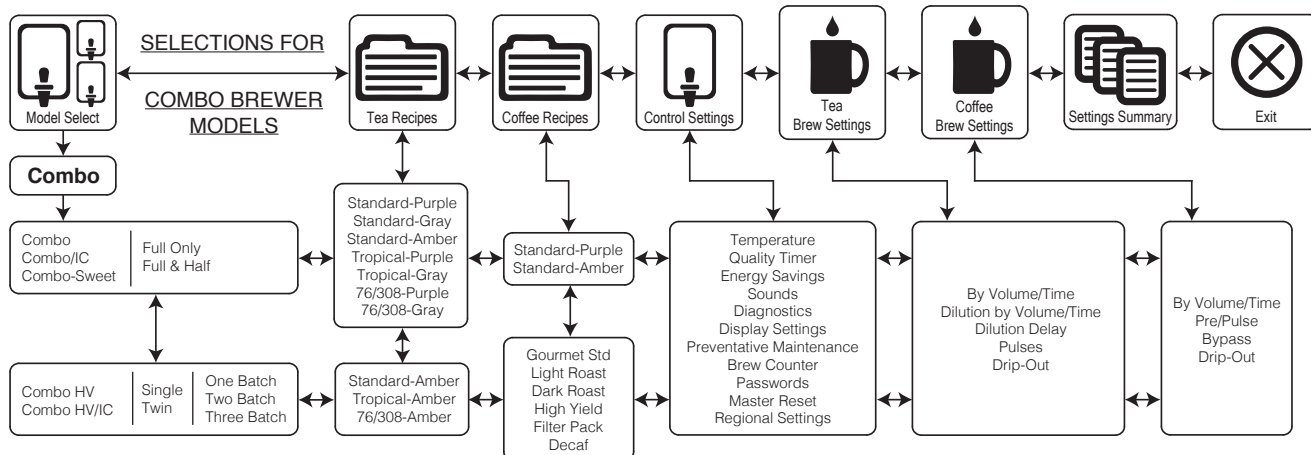
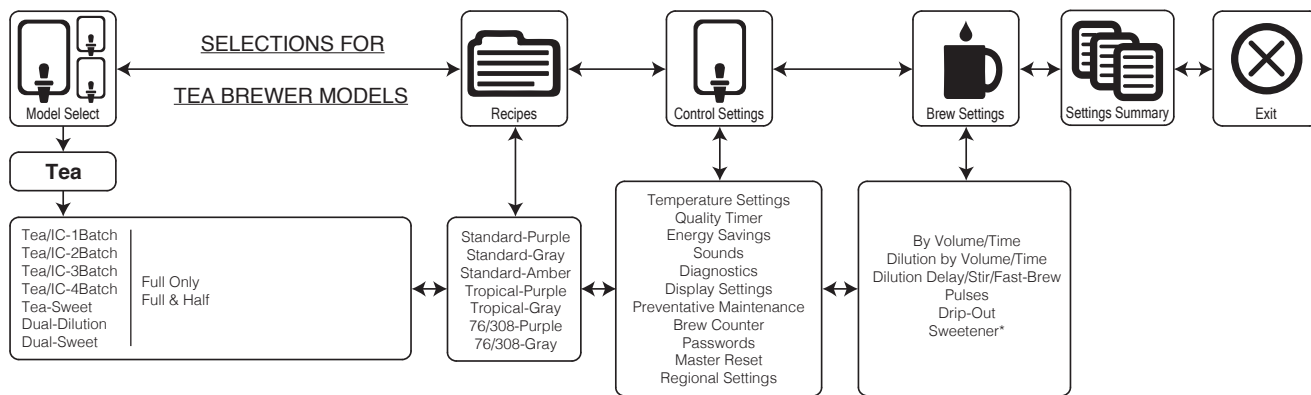
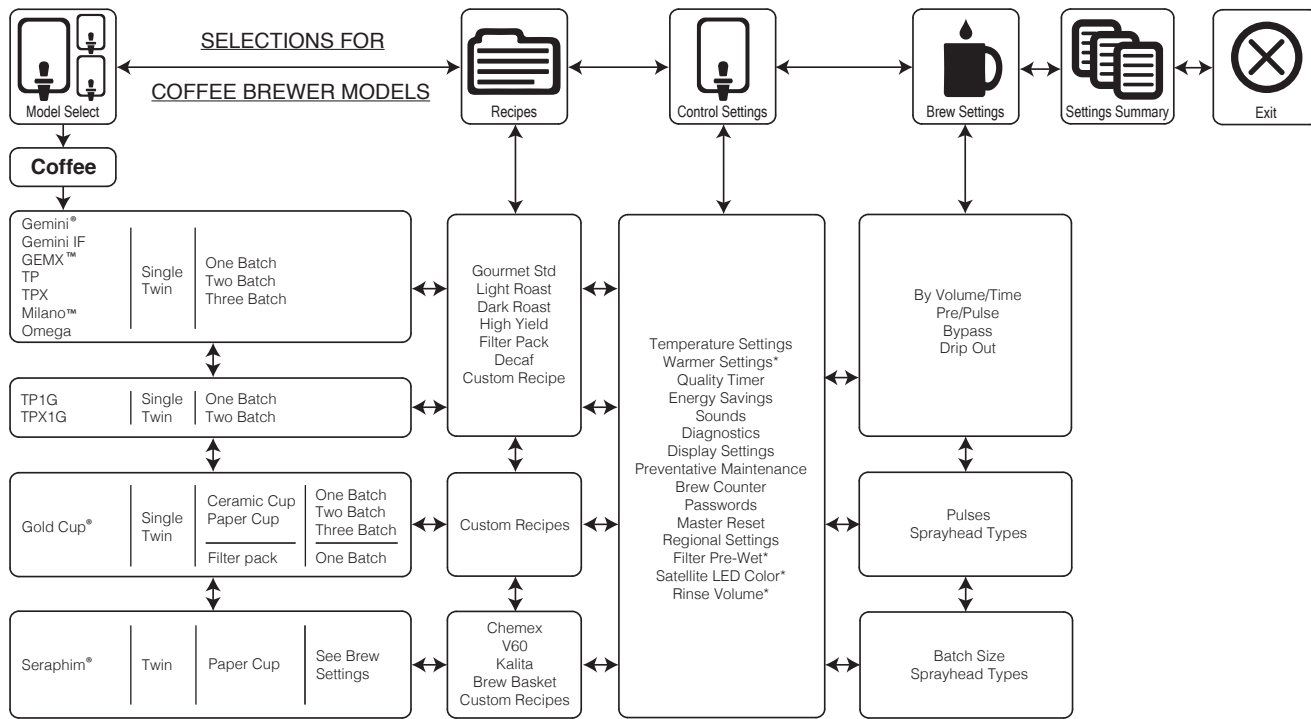


2 The ACCESS CODE screen will appear. The default pass code is 1 2 3 4. Once the code is entered, press OK. The MAIN MENU screen will appear. The access code can be reset in the Control Settings sub-menu, under Passwords.

3 The MAIN MENU screen contains a series of sub-menu icons. The icons vary based on the model selected under the Model Select sub-menu. For the brewer to operate properly, the model selected must match the model series on the brewer model number label affixed to the outside of the machine.

Programming

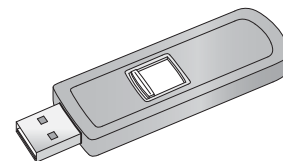
Shown below are the various programming options available in the programming MAIN MENU. The icons that appear vary based on the brewer model selected under Model Select.



* Feature not available on some models

USB - Easy Programming

There are two methods for changing the default settings on G4 brewers. The settings can be programmed manually using the brewer touch screen, or automatically using the USB (Universal Serial Bus) data port on the side of the brewer. Using the USB connection and a flash drive easily reprograms the settings by simply copying data.



A flash drive can copy all of the settings from one identical G4 brewer to another. Doing so eliminates the need to program each step individually using the touchscreen. This process also makes it easy to quickly standardize the program settings on multiple G4 brewers.

Use a flash drive that supports USB 2.0 or above and has a type-A USB connection. The storage capacity must be 2 GB minimum.

i **IMPORTANT:** The flash drive must be completely blank. Erase any existing files on the drive before starting the following process.

Uploading the Software to the Flash Drive

- 1 Make sure the brewer is on. Check to make sure that the brewer you are copying settings from is programmed as desired.
- 2 Open the cover on the USB port and insert the connector on the empty flash drive. The port is located on the right side panel of the brewer, near the top. The universal control module (UCM) will upload all of the setup data onto the flash drive. The yellow LED icon on the top left of the touchscreen will light indicating that data is transferring. This process will only take a second to complete.

Downloading the Software to the Brewer from the Flash Drive

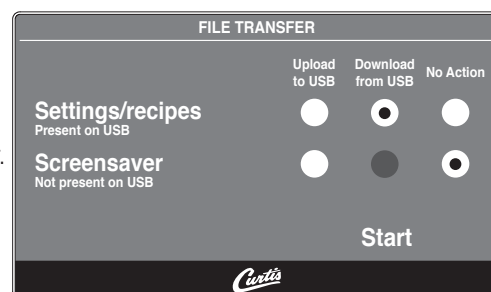
- 1 Select the (identical) brewer you wish to make program changes to. The brewer must be on.
- 2 Plug the loaded flash drive into the USB port on the brewer. The data copied from the first brewer will automatically download, overwriting all the settings that were on the second brewer.
- 3 The red LED on the top left of the touchscreen will indicate that the download is in process. This will only take a second.
- 4 Once the download is complete, the UCM will reboot so that the changes take effect.
- 5 Remove the flash drive. The download is complete. The data on the flash drive can continue to be downloaded into as many identical brewers as needed.

USB File Transfer

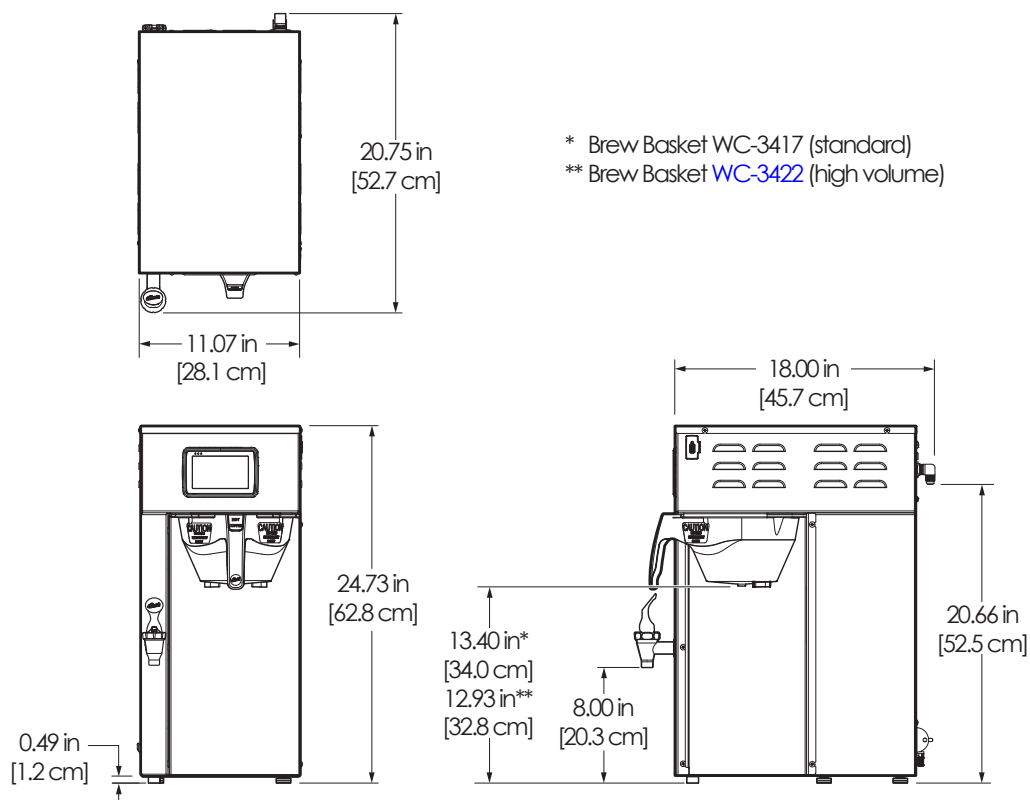
This screen will be present whenever the USB flash drive is inserted, provided the brewer is not currently brewing.

The default action is "No Action". The UCM will always create a backup on the flash drive before downloading settings/recipes or a screen-saver.

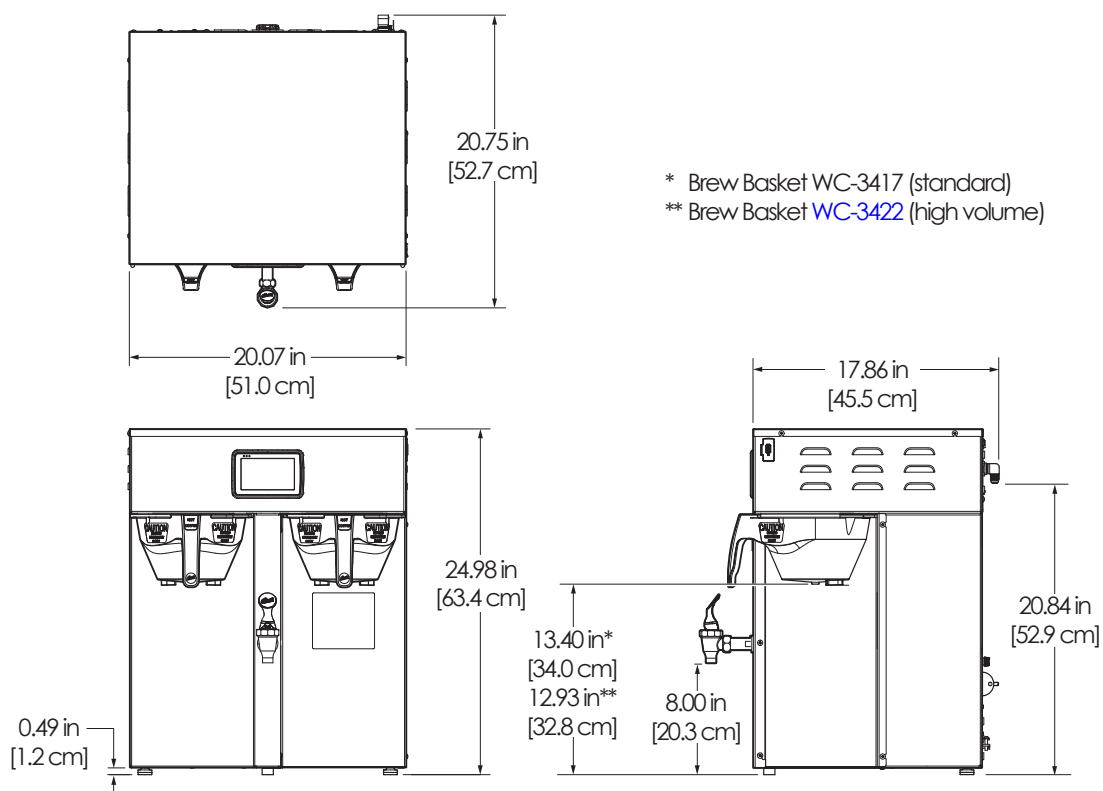
If a firmware update is present on the flash drive, the firmware update procedure will be started before the screen is shown.



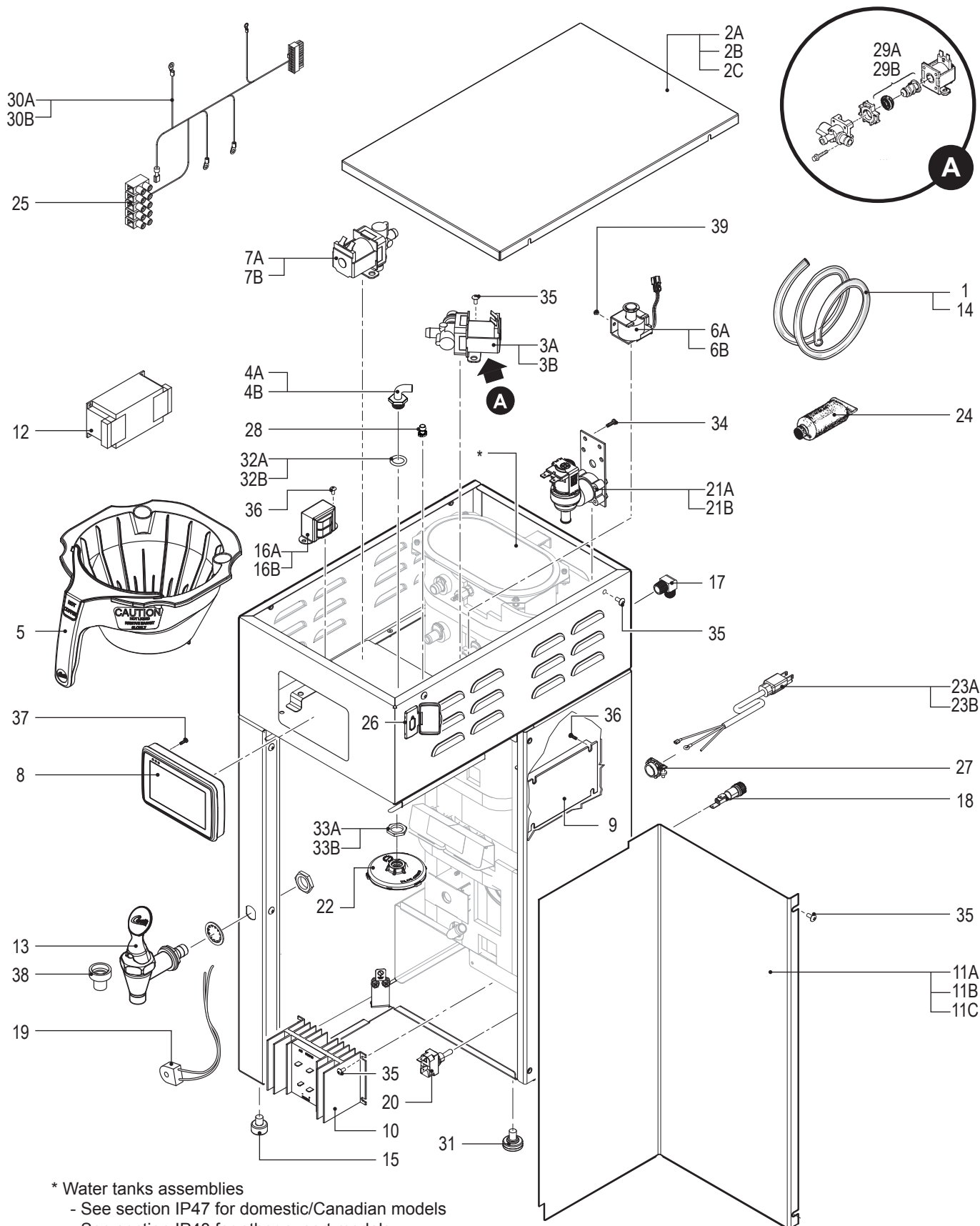
G4TP1S - Single Coffee Brewer



G4TP1T - Twin Coffee Brewer



G4TP1S - Main Chassis - Exploded View



* Water tanks assemblies
 - See section IP47 for domestic/Canadian models
 - See section IP48 for other export models

G4TP1S - Main Chassis - Parts List

ITEM #	PART #	DESCRIPTION
1	WC-5350	TUBE, 1/2 ID x 1/8W SILICONE GEN USE
2A	WC-61509	COVER, TOP TP2S
2B	WC-61509-BLK	COVER, TOP BLACK TEXTURE TP2S
2C	WC-61509-WHT	COVER, TOP WHITE TP2S
3A	WC-820WDR	VALVE, DUMP RIGHT 120V 12W W/INTERNAL RESISTOR & DIODE
3B	WC-854 ²	VALVE, BREW DUMP RIGHT 240V 12W GEM12D/TP/TPC
4A	WC-2977K ^a	KIT, SPRAYHEAD FITTING METAL
4B	WC-2977-101K ^b	KIT, SPRAYHEAD FITTING PLASTIC
5	WC-3417-P	BREW CONE, ASSY W/SPLASH POCKET BRWN STYLIZED GEMIN HOT COFFEE
6A	WC-442 ¹	SOLENOID, LOCK BREW CONE RIGHT/LEFT 120V TP2T/TP2S/GEMSS/GEM
6B	WC-446 ²	SOLENOID, LOCK BREW CONE RIGHT 220V THERMOPRO/GEMTS
7A	WC-844-101 ¹	VALVE, BY-PASS, NON-ADJUSTABLE WITH RESTRICTOR (WC-2945)
7B	WC-844-102 ²	VALVE, BY-PASS, 240V NON-ADJUSTABLE W/ RESTRICTOR (WC-2945)
8	WC-10000	CONTROL MODULE, TOUCH SCREEN G4
9	WC-10001	CONTROL MODULE, UPM 120/220V G4
10	WC-8559	RELAY, SOLID STATE 280V/40A W/ HEATSINK AND QUICK DISCONNECTS
11A	WC-58037-102	COVER, FRONT CENTER G4TP1S
11B	WC-58037-102BLK	COVER, FRONT CENTER BLACK TEXTURE G4TP1S
11C	WC-58037-102WHT	COVER, FRONT CENTER WHITE G4TP1S
12	WC-596K ²	KIT, NOISE FILTER EMI 250V/30A 1PH
13	WC-1825	FAUCET, ASSY HOT WATER TP2S
14	WC-5310	TUBE, 5/16 ID x 1/8W SILICONE
15	WC-3503	LEG, 3/8"-16 STUD SCREW BUMPER
16A	WC-589-101 ¹	TRANSFORMER, 120VAC-24V 4.8A W/ LEADS & MOLEX CONNECTOR
16B	WC-589-102 ²	TRANSFORMER, 240VAC- 24V 4.8VA W/LEADS & MOLEX CONNECTOR
17	WC-2402P-P	ELBOW, 3/8" FL x 3/8" NPT PLATED
18	WC-1501	FUSE, HOLDER ASSY W/5A FUSE
19	WC-14045-101	CURRENT SENSOR ASSY G4

¹ G4TP1S63A3100 ² G4TP1S30A3100

^a Units built 05/15/17 and later. Stainless steel fitting kit (4A) is compatible with older units.

^b Units built before 05/15/17.

G4TP1S - Recommended Parts to Stock

ITEM #	PART #	DESCRIPTION
1	WC-5350	TUBE, 1/2 ID x 1/8W SILICONE GEN USE
3A	WC-820WDR	VALVE, DUMP RIGHT 120V 12W W/INTERNAL RESISTOR & DIODE
6A	WC-442	SOLENOID, LOCK BREW CONE RIGHT/LEFT 120V TP2T/TP2S/GEMSS/GEM
7A	WC-844-101	VALVE, BY-PASS, NON-ADJUSTABLE WITH RESTRICTOR (WC-2945)
9	WC-10001	CONTROL MODULE, UPM 120/220V G4

ITEM #	PART #	DESCRIPTION
20	WC-103	SWITCH, TOGGLE NON-LIT DPST 25A 125/250VAC RESISTIVE
21A	WC-847 ¹	VALVE, INLET 2 GPM 120V 10W GEN USE BROWN BODY
21B	WC-883 ²	VALVE, INLET 2 GPM 240V 6W
22	WC-29050	SPRAYHEAD, AMBER ADVANCED FLOW
23A	WC-1200 ¹	CORD, 14/3 SJTO 6' BLK W/PLUG
23B	WC-1250 ²	CORD, 4mm ² 90°C 49A 450/750V 6 FT LG W/ FERRULES ONE END
24	WC-5231	COMPOUND, HEAT SINK 5OZ
25	WC-314	POWER BLOCK, 5 STATION
26	WC-10008	UNIVERSAL HOST ADAPTER USB
27	WC-1412	CORD GRIP, 3/4" FOR METAL CORD TO .81"OD
28	WC-29044-101	SLEEVE, OVERFLOW
29A	WC-37132	KIT, VALVE REPAIR FOR INVENSYS WC-820WDR, WC-821WDR, WC-844WDR (OLDER UNITS)
29B	WC-37132-101	KIT, VALVE REPAIR FOR DELTROL WC-820WDR, WC-821WDR, WC-844WDR (NEWER UNITS)
30A	WC-13462 ¹	HARNESS ASSY G4TP2S
30B	WC-13462-101 ²	HARNESS, COMPLETE G4TP2S30'S EXPORT VERSION (INCLUDES TERMINAL BLOCK)
31	WC-3518	LEG, GLIDE 3/8"-16 STUD SCREW
32A	WC-4320 ^a	O'RING, 0.4871.D.x 0.693OD x0.103CS BUNA-N #112
32B	WC-43089 ^b	GASKET, 1.00OD X .625 I.D. X .030 THK WHITE EPDM 70 SHORE
33A	WC-4213-P ^a	NUT, 5/8 LOCK PLATED
33B	WC-4212-02 ^b	NUT, 5/8-18 JAM PLASTIC
34	WC-4503	SCREW, 8-32x1/2 PHILLIPS HEAD
35	WC-4426	SCREW, 8-32x3/8 PH HEAD TRUSS
36	WC-4514	SCREW, 8-32x3/8 PAN HEAD PH SS
37	WC-4458	SCREW, 6-19 x 1/2" PHIL PAN HD TRI-LOBULAR 60-1 THRD FORMING
38	WC-1805	SEAT CUP, "S" FAUCET USE ON WC-1800/B/ LB/D/DL/L/WC-1803
39	WC-4412	SCREW, 10-32x3/16" PH PN HD MS SS

ITEM #	PART #	DESCRIPTION
14	WC-5310	TUBE, 5/16 ID x 1/8W SILICONE
19	WC-14045-101	CURRENT SENSOR ASSY G4
21A	WC-847	VALVE, INLET 2 GPM 120V 10W GEN USE BROWN BODY
22	WC-29050	SPRAYHEAD, AMBER ADVANCED FLOW

G4TP1T - Main Chassis - Parts List

ITEM #	PART #	DESCRIPTION
1A	WC-820WDR ¹	VALVE, DUMP RIGHT 120V 12W W/INTERNAL RESISTOR & DIODE
1B	WC-854 ²	VALVE, BREW DUMP RIGHT 240V 12W GEM12D/TP/TPC
2A	WC-821WDR ¹	VALVE, DUMP LEFT 120V 12W W/INTERNAL RESISTOR & DIODE
2B	WC-853 ²	VALVE, BREW DUMP LEFT 240V 12W GEM12D/TP/TPC
3A	WC-442 ¹	SOLENOID, LOCK BREW CONE RIGHT/LEFT 120V TP2T/TP2S/GEMSS/GEM
3B	WC-446 ²	SOLENOID, LOCK BREW CONE RIGHT 220V THERMOPRO/GEMTS
4A	WC-2977K ^a	KIT, SPRAYHEAD FITTING METAL
4B	WC-2977-101K ^b	KIT, SPRAYHEAD FITTING PLASTIC
5A	WC-844-101 ¹	VALVE, BY-PASS, NON-ADJUSTABLE WITH RESTRICTOR (WC-2945)
5B	WC-844-102 ²	VALVE, BY-PASS, 240V NON-ADJUSTABLE W/ RESTRICTOR (WC-2945)
6A	WC-37132	KIT, VALVE REPAIR FOR INVENSYS WC-820WDR, WC-821WDR, WC-844WDR (OLDER UNITS)
6B	WC-37132-101	KIT, VALVE REPAIR FOR DELTROL WC-820WDR, WC-821WDR, WC-844WDR (NEWER UNITS)
7	WC-10000	CONTROL MODULE, TOUCH SCREEN G4
8	WC-10001	CONTROL MODULE, UPM 120/220V G4
9	WC-29050	SPRAYHEAD, AMBER ADVANCED FLOW
10	WC-8559	RELAY, SOLID STATE 280V/40A W/ HEATSINK AND QUICK DISCONNECTS
11	WC-3417-P	BREW CONE, ASSY W/SPLASH POCKET BRWN STYLIZED GEMIN HOT COFFEE
12A	WC-58037-102	COVER, FRONT CENTER G4TP1S
12B	WC-58037-102BLK	COVER, FRONT CENTER BLACK TEXTURE G4TP1S
12C	WC-58037-102WHT	COVER, FRONT CENTER WHITE G4TP1S
13	WC-2402P-P	ELBOW, 3/8"FL x 3/8" NPT PLATED
14	WC-1412	CORD GRIP, 3/4" FOR METAL CORD TO .81"OD
15	WC-14045-101	CURRENT SENSOR ASSY G4
16A	WC-13450 ¹	HARNESS ASSY, COMPLETE G4TP2T (INCLUDES TERMINAL BLOCK)
16B	WC-13450-101 ²	HARNESS ASSY COMPLETE G4TP2T G4TPC2T/G4GEMT/G4TP1T-30'S (INCLUDES TERMINAL BLOCK)
17	WC-29044-101	SLEEVE, OVERFLOW

¹ G4TP1T10A3100 ² G4TP1T30A3100

G4TP1T - Recommended Parts to Stock

ITEM #	PART #	DESCRIPTION
1A	WC-820WDR	VALVE, DUMP RIGHT 120V 12W W/INTERNAL RESISTOR & DIODE
2A	WC-821WDR	VALVE, DUMP LEFT 120V 12W W/INTERNAL RESISTOR & DIODE
3A	WC-442	SOLENOID, LOCK BREW CONE RIGHT/LEFT 120V TP2T/TP2S/GEMSS/GEM
5A	WC-844-101	VALVE, BY-PASS, NON-ADJUSTABLE WITH RESTRICTOR (WC-2945)
8	WC-10001	CONTROL MODULE, UPM 120/220V G4

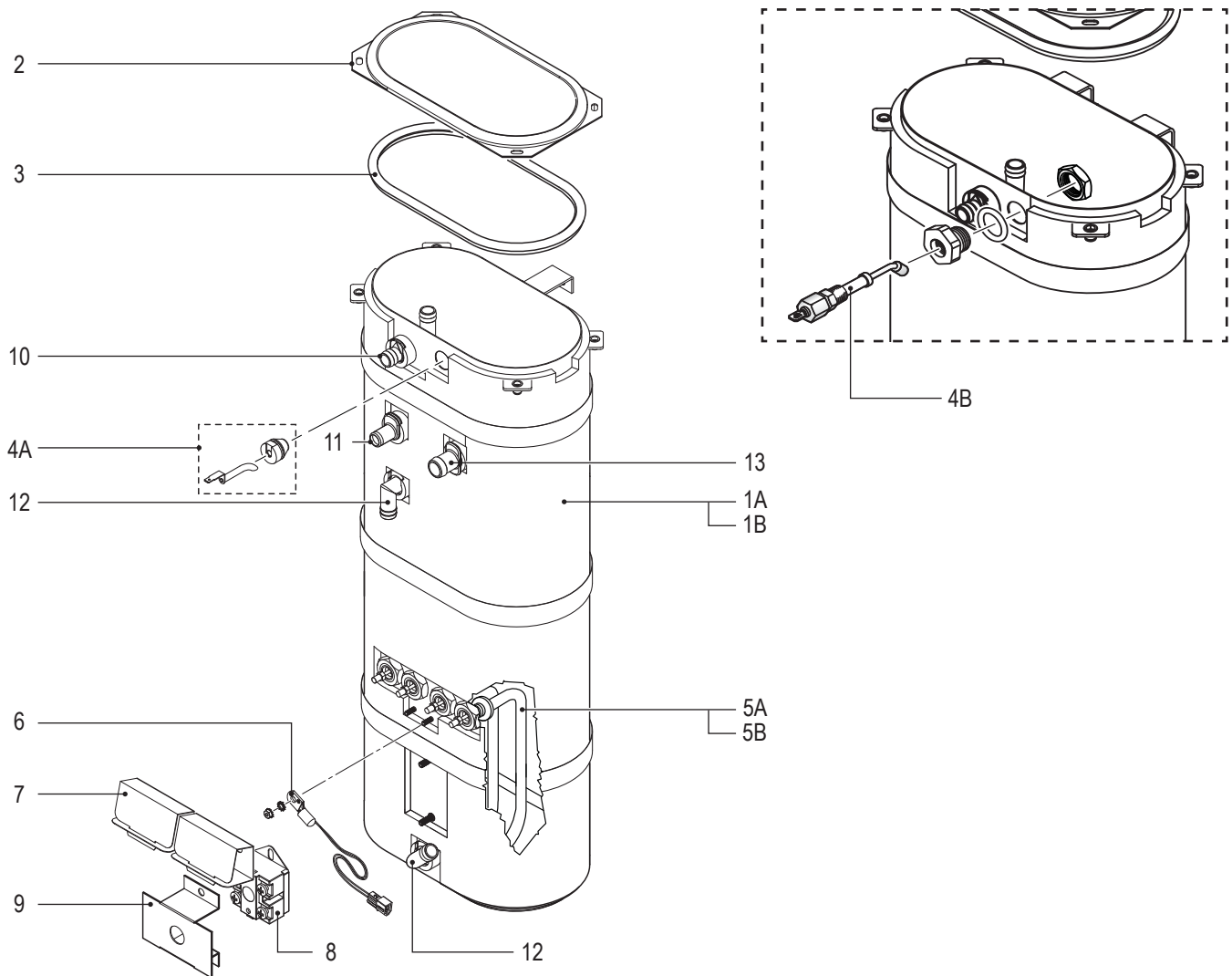
ITEM #	PART #	DESCRIPTION
18	WC-314	POWER BLOCK, 5 STATION
19A	WC-847 ¹	VALVE, INLET 2 GPM 120V 10W GEN USE BROWN BODY
19B	WC-883 ²	VALVE, INLET 2 GPM 240V 6W
20	WC-596K ²	KIT, NOISE FILTER EMI 250V/30A 1PH
21	WC-1501	FUSE, HOLDER ASSY W/5A FUSE
22A	WC-102 ¹	SWITCH, TOGGLE NON-LIT SPST 15A 125/6A 250VAC RESISTIVE
22B	WC-103 ²	SWITCH, TOGGLE NON-LIT DPST 25A 125/250VAC RESISTIVE
23A	WC-5459	COVER, TOP SS THERMOPRO
23B	WC-5459-BLK	COVER, TOP BLACK TEXTURE TP
23C	WC-5459-WHT	COVER, TOP WHITE TP2T
24	WC-3503	LEG, 3/8"-16 STUD SCREW BUMPER
25	WC-1825	FAUCET, ASSY HOT WATER TP2S
26	WC-5310	TUBE, 5/16 ID x 1/8W SILICONE GEN USE
27	WC-5231	COMPOUND, HEAT SINK 5OZ
28	WC-5350	TUBE, 1/2 ID x 1/8W SILICONE GEN USE
29A ¹	WC-589-101	TRANSFORMER, 120VAC-24V 4.8A W/ LEADS & MOLEX CONNECTOR
29B ²	WC-589-102	TRANSFORMER, 240VAC-24V 4.8VA W/LEADS & MOLEX CONNECTOR
30	WC-10008	UNIVERSAL HOST ADAPTER USB
31	WC-3518	LEG, GLIDE 3/8"-16 STUD SCREW
32A	WC-4320 ^a	O'RING, 0.4871.D.x 0.693OD x0.103CS BUNA-N #112
32B	WC-43089 ^b	GASKET, 1.00OD X .625 I.D. X .030 THK WHITE EPDM 70 SHORE
33A	WC-4213-P ^a	NUT, 5/8 LOCK PLATED
33B	WC-4212-02 ^b	NUT, 5/8-18 JAM PLASTIC
34	WC-1250	CORD, 4mm ² 90°C 49A 450/750V 6 FT LG W/ FERRULES ONE END (NOT SHOWN)
35	WC-4426	SCREW, 8-32x3/8 PH HEAD TRUSS
36	WC-4514	SCREW, 8-32x3/8 PAN HEAD PH SS
37	WC-4458	SCREW, 6-19 x 1/2" PHIL PAN HD TRILOBULAR 60-1 THRD FORMING
38	WC-1805	SEAT CUP, "S" FAUCET USE ON WC-1800/B/LB/D/DL/L/WC-1803
39	WC-4412	SCREW, 10-32x3/16" PH PN HD MS SS
40	WC-4503	SCREW, 8-32x1/2 PHILLIPS HEAD

^a Units built 05/15/17 and later. Stainless steel fitting kit (4A) is compatible with older units.

^b Units built before 05/15/17.

ITEM #	PART #	DESCRIPTION
9	WC-29050	SPRAYHEAD, AMBER ADVANCED FLOW
15	WC-14045-101	CURRENT SENSOR ASSY G4
19A	WC-847	VALVE, INLET 2 GPM 120V 10W GEN USE BROWN BODY
26	WC-5310	TUBE, 5/16 ID x 1/8W SILICONE GEN USE
28	WC-5350	TUBE, 1/2 ID x 1/8W SILICONE GEN USE

WC-62088DV(-20) - Tank Assembly



WC-62088DV(-20) - Tank Assembly - Parts List

ITEM #	PART #	DESCRIPTION
1A	WC-62088DV ¹	TANK, COMPLETE G4TP1S63 (2) 1600W-120V/220V
1B	WC-62088DV-20 ²	TANK, COMPLETE G4TP1S52 (2) 1450W-120V ELEMENTS
2	WC-5853-102	COVER, TOP HEATING TANK GEN USE
3*	WC-43062	GASKET, TANK LID
4A*	WC-5528K ^a	KIT, WATER LEVEL PROBE, SILICONE
4B*	WC-5502-01 ^b	KIT, PROBE, ASSY WATER LEVEL W/HEX FITTING, O-RING & NUT
5A*	WC-904-04 ¹	KIT, ELEMENT, HEATING 1.6KW120V W/ JAM NUT & SILICONE O-RING
5B	WC-917-04 ²	ELEMENT, HEATING 1.45KW 120V W/JAM NUTS & SILICONE O-RING

ITEM #	PART #	DESCRIPTION
6*	WC-1438-101	SENSOR, TEMPERATURE TANK
7*	WC-4394	GUARD, SHOCK/HEATING ELEMENT FOR SINGLE HEATING ELEMENT
8*	WC-522	THERMOSTAT, HI LIMIT HEATER CONTROL DPST 277V 40A
9*	WC-43055	GUARD, SHOCK RESET THERMOSTAT (WC-522)
10*	WC-37266	KIT, FITTING TANK OVERFLOW
11*	WC-37317	KIT, STRAIGHT FITTING & BUSHNG 8mm GEN USE
12*	WC-37365	KIT, FITTING TANK INLET
13*	WC-37357	KIT, STRAIGHT PLASTIC FITTING AND BUSHING 12MM

¹ Domestic models

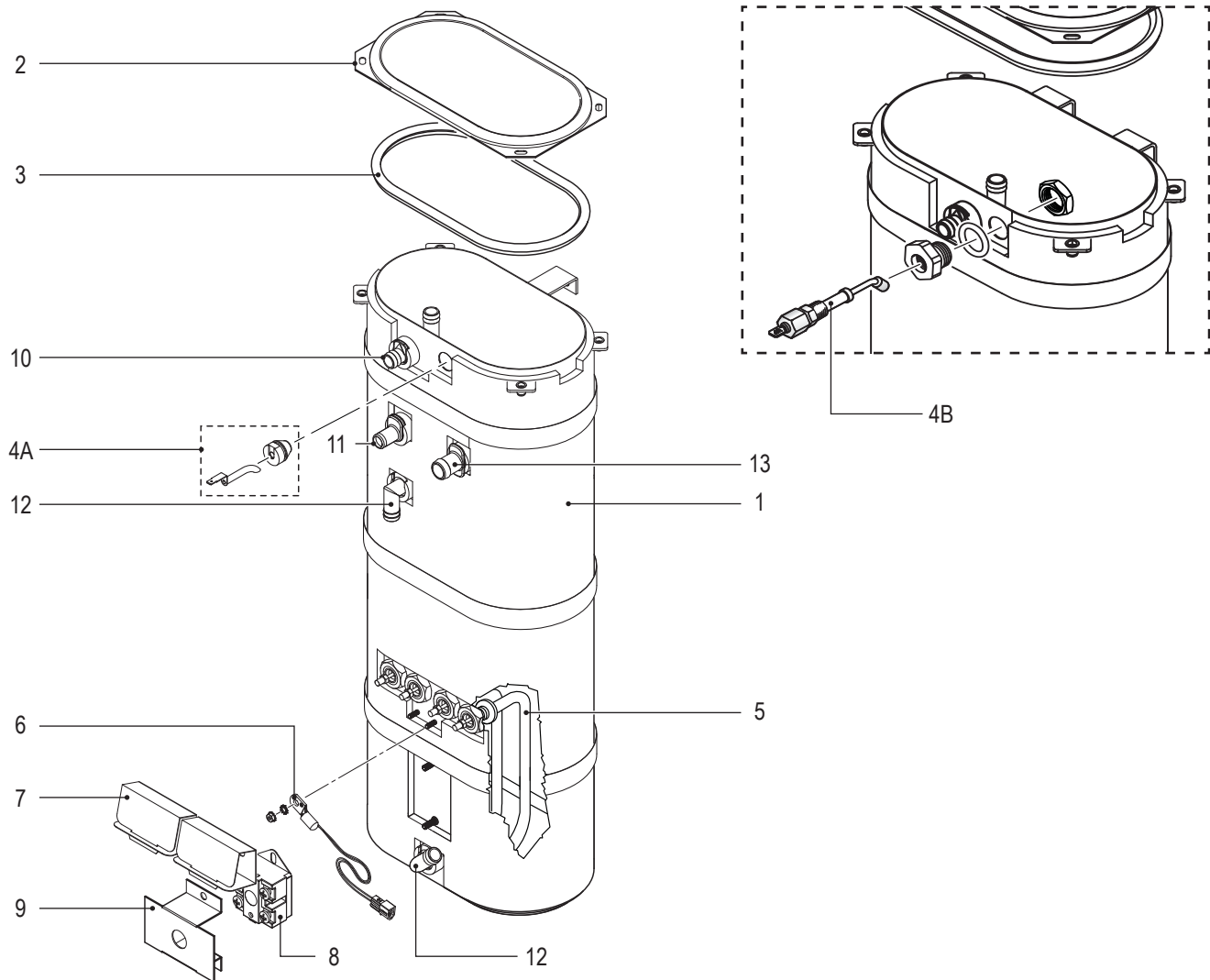
² Canadian Models

^a Units built 01/04/2019 and later.

^b Units built before 01/04/2019. Replaces WC-5527.

* Recommended parts to stock.

WC-62088 - Tank Assembly



WC-62088 - Tank Assembly - Parts List

ITEM #	PART #	DESCRIPTION
1	WC-62088	TANK, COMPLETE G4TP1S10/30 (2) 2000W-220V
2	WC-5853-102	COVER, TOP HEATING TANK GEN USE
3*	WC-43062	GASKET, TANK LID
4A ¹	WC-5528K	KIT, WATER LEVEL PROBE, SILICONE
4B ²	WC-5502-01	KIT, PROBE, ASSY WATER LEVEL W/HEX FITTING, O-RING & NUT
5*	WC-906-04	KIT, ELEMENT, HEATING 2KW 220V W/JAM NUT & SILICONE O-RING
6*	WC-1438-101	SENSOR, TEMPERATURE TANK
7*	WC-4394	GUARD, SHOCK/HEATING ELEMENT FOR SINGLE HEATING ELEMENT

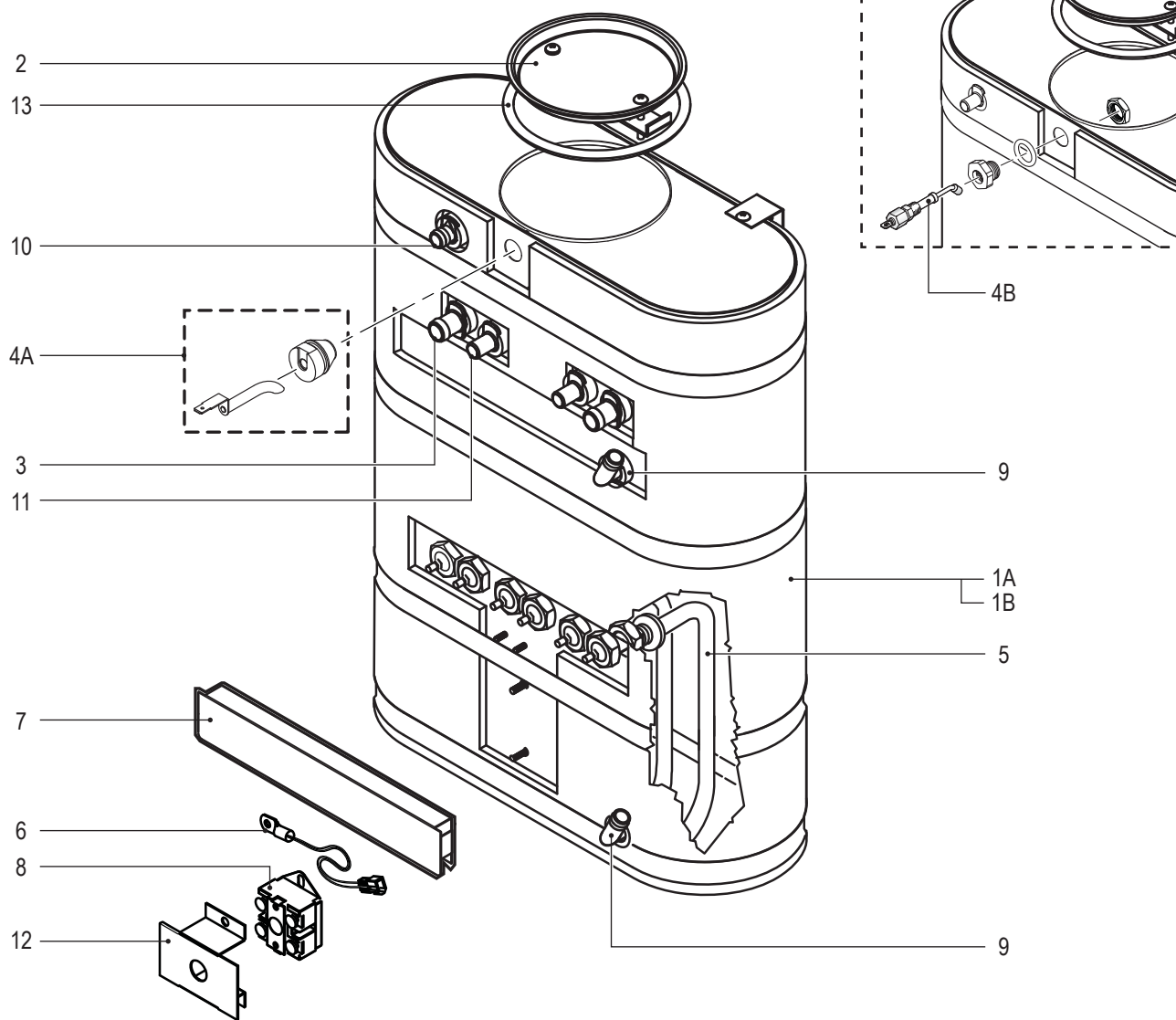
ITEM #	PART #	DESCRIPTION
8*	WC-522	THERMOSTAT, HI LIMIT HEATER CONTROL DPST 277V 40A
9*	WC-43055	GUARD, SHOCK RESET THERMOSTAT (WC-522)
10*	WC-37266	KIT, FITTING TANK OVERFLOW
11*	WC-37317	KIT, STRAIGHT FITTING & BUSHING 8mm GEN USE
12*	WC-37365	KIT, FITTING TANK INLET
13*	WC-37357	KIT, STRAIGHT PLASTIC FITTING AND BUSHING 12MM

¹ Units built 01/04/2019 and later.

² Units built before 01/04/2019. Replaces WC-5527.

• Recommended parts to stock.

WC-62033 - Tank Assembly



WC-62033 - Tank Assembly - Parts List

ITEM #	PART #	DESCRIPTION
1A	WC-54287	TANK, ASSY TPS1T/GEMTS
1B	WC-62033	TANK, COMPLETE GEMTS W/ULTEM FITTINGS
2	WC-37008	KIT, TANK LID ROUND (INCLUDES GASKET)
3*	WC-37357	KIT, STRAIGHT PLASTIC FITTING AND BUSHING 12MM
4A ¹	WC-5528K	KIT, WATER LEVEL PROBE, SILICONE
4B ²	WC-5502-01	KIT, PROBE, ASSY WATER LEVEL W/HEX FITTING, O-RING & NUT
5*	WC-934-04	KIT, ELEMENT HEATING 2.5KW 220V W/ JAM NUT & SILICONE WASHERS
6*	WC-1438-101	SENSOR, TEMPERATURE TANK

ITEM #	PART #	DESCRIPTION
7*	WC-4382	GUARD, SHOCK HTNG ELMNT DOUBLE
8*	WC-522	THERMOSTAT, HI LIMIT HEATER CONTROL DPST 277V 40A
9*	WC-37365	KIT, FITTING TANK INLET
10*	WC-37266	KIT, FITTING TANK OVERFLOW
11*	WC-37317	KIT, STRAIGHT FITTING & BUSHNG 8MM GEN USE
12*	WC-43055	GUARD, SHOCK RESET THERMOSTAT (WC-522)
13*	WC-43067	SILICONE TANK LID O-RING, 4-1/2" I.D. X Ø.285

¹ Units built 01/04/2019 and later.

² Units built before 01/04/2019. Replaces WC-5527.

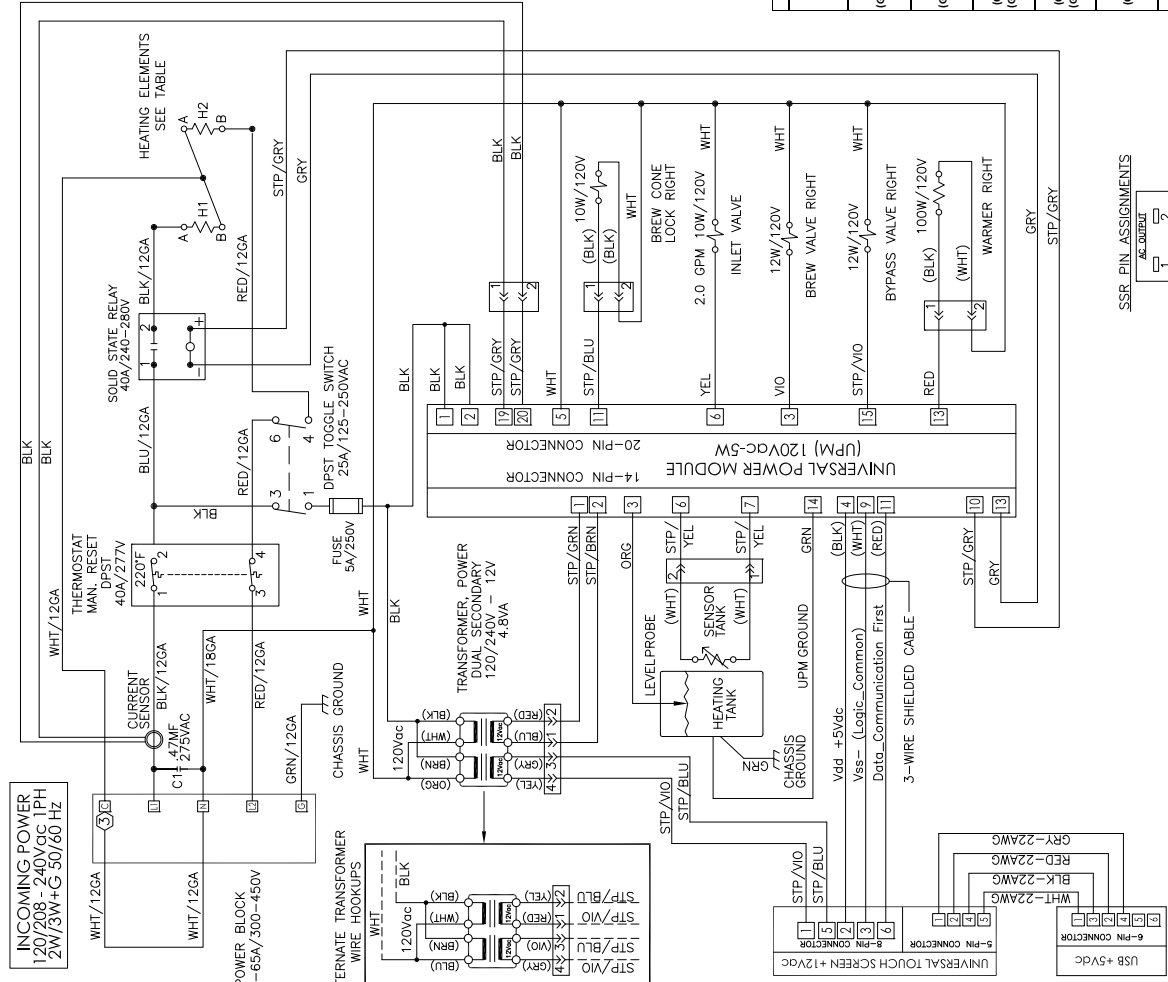
* Recommended parts to stock.

SINGLE, DOMESTIC, DUAL VOLTAGE

20 Pin Connector		14 Pin Connector	
1	120Vac Hot Input	1	12 Vac Input
2	120Vac Hot Input	2	12 Vac Input
3	Brew Valve Right	3	Tank Water Level Probe
4	Brew Valve Left	4	Vdd +5Vdc
5	120Vac Neutral	5	Not Used
6	Inlet Valve	6	Tank Temperature Sensor
7	Not Used	7	Tank Temperature Sensor
8	Not Used	8	(Not Used)
9	Inlet Valve	9	Vss (Logic Common)
10	Inlet Valve	10	Solid State Relay +5Vdc
11	Brew Cone Lock Right	11	Data Communication First
12	Brew Cone Lock Left	12	Not Used
13	Warmer Right	13	Solid State Relay - Common
14	Warmer Left	14	UPM Ground
15	Bypass Valve Right		
16	Bypass Valve Left		
17	Not Used		
18	Not Used		
19	Current Sensor		
20	Current Sensor		

8 Pin Connector		5 Pin Connector	
1	12 Vac Input (Back Light)	1	TX - Transmit
2	Vdd +5Vdc	2	RX - Receive
3	Vss - Logic Common	3	Not Used
4	Not Used	4	Vdd +5Vdc
5	12 Vac Input (Back Light)	5	Vss - Logic Common
6	Data Communication First		
7	Not Used		
8	Not Used		

6 Pin Connector	
1	Vss - Logic Common
2	TX - Transmit
3	Vdd +5Vdc
4	RX - Receive
5	Not Used
6	Not Used

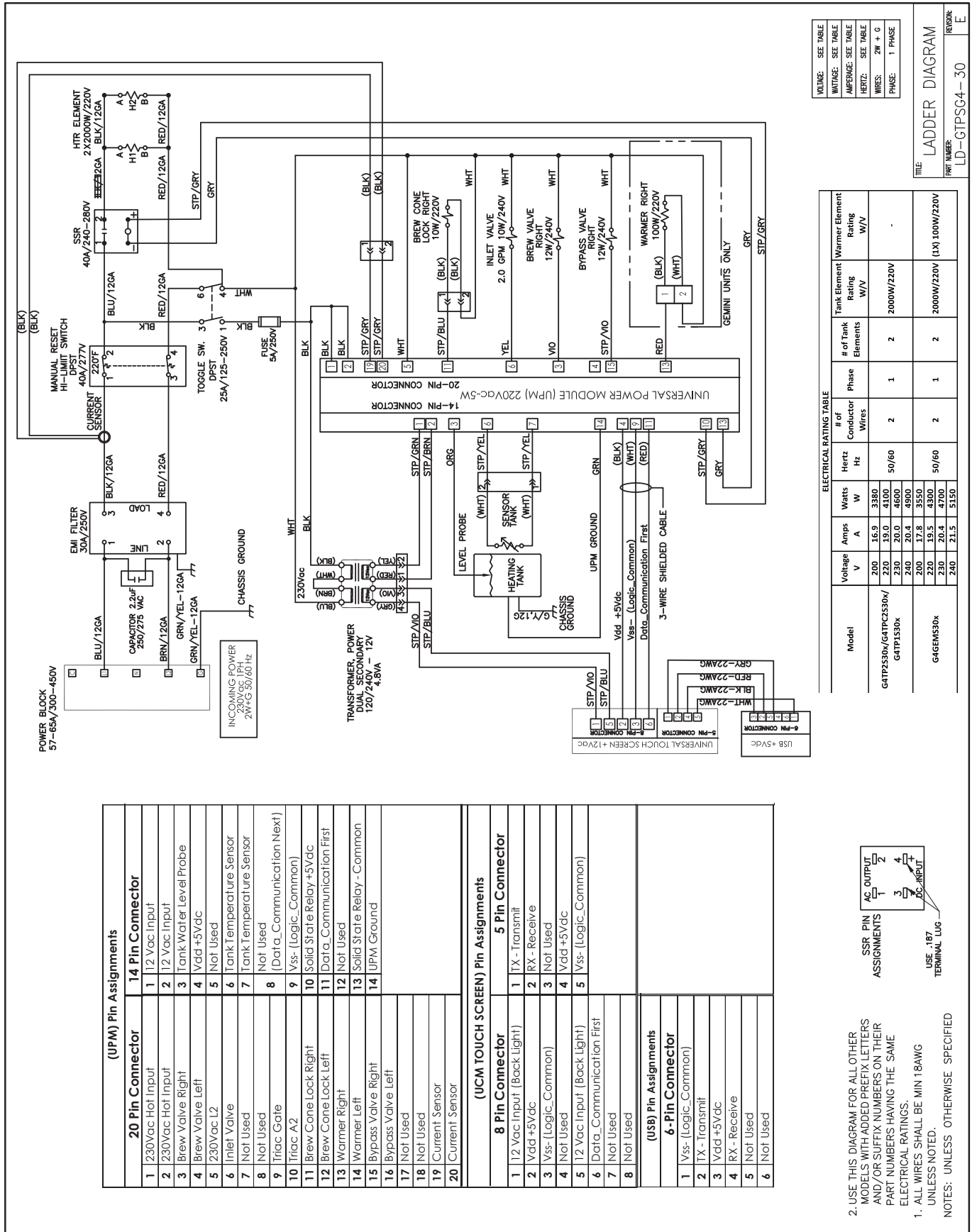


Model	Voltage V	Amps A	Watts W	Hertz Hz	# of Conductor Wires	Phase	# of Tank Elements	Tank Element Rating W/V	Warmer Element Rating W/V
(G4)GEM52	120	9.2	1100	50/60	(2)	1	2	1150W/120V	(1X) 100W/120V
(G4)GEM53	120	9.2	1100	50/60	(2)	1	2	1600W/120V	(1X) 100W/120V
(G4)TP2552	120	15	1800	50/60	(2)	1	2	1450W/120V	-
(G4)TP2553	120	15	1800	50/60	(2)	1	2	1600W/120V	-
(G4)TP2554	120	15	1800	50/60	(2)	1	2	1450W/120V	-
(G4)TP2555	120	15	1800	50/60	(2)	1	2	1600W/120V	-
(G4)TP2556	120	15	1800	50/60	(2)	1	2	1450W/120V	-
(G4)TP2557	120	15	1800	50/60	(2)	1	2	1600W/120V	-
(G4)TP2558	120	15	1800	50/60	(2)	1	2	1450W/120V	-
(G4)TP2559	120	15	1800	50/60	(2)	1	2	1600W/120V	-
(G4)TP2560	120	15	1800	50/60	(2)	1	2	1450W/120V	-
(G4)TP2561	120	15	1800	50/60	(2)	1	2	1600W/120V	-
(G4)TP2562	120	15	1800	50/60	(2)	1	2	1450W/120V	-
(G4)TP2563	120	15	1800	50/60	(2)	1	2	1600W/120V	-
(G4)TP2564	120	15	1800	50/60	(2)	1	2	1450W/120V	-
(G4)TP2565	120	15	1800	50/60	(2)	1	2	1600W/120V	-
(G4)TP2566	120	15	1800	50/60	(2)	1	2	1450W/120V	-
(G4)TP2567	120	15	1800	50/60	(2)	1	2	1600W/120V	-
(G4)TP2568	120	15	1800	50/60	(2)	1	2	1450W/120V	-
(G4)TP2569	120	15	1800	50/60	(2)	1	2	1600W/120V	-
(G4)TP2570	120	15	1800	50/60	(2)	1	2	1450W/120V	-

- ③ 12GA WHITE WIRE IS ONLY USED WHEN UNIT IS TO BE WIRED IN THE 120Vdc CONFIGURATION.
- ④ USE THIS DIAGRAM FOR ALL OTHER MODELS WITH ADDED PREFIX LETTERS AND/OR SUFFIX NUMBERS ON THEIR PART NUMBERS HAVING THE SAME ELECTRICAL RATINGS.
- ⑤ ALL WIRES SHALL BE 18AWG UNLESS NOTED.
- NOTES: UNLESS OTHERWISE SPECIFIED

TITLE:	LADDER DIAGRAM
PART NUMBER:	LD-GTPSG4-63
REVISION:	L

SINGLE, EXPORT



(UPM) Pin Assignments

20 Pin Connector	
1	230Vac Hot Input
2	230Vac Hot Input
3	Brew Valve Right
4	Brew Valve Left
5	230Vac L2
6	Inlet Valve
7	Tank Temperature Sensor
8	Not Used
9	Triac Gate
10	Triac A2
11	Brew Cone Lock Right
12	Brew Cone Lock Left
13	Warmer Right
14	Warmer Left
15	Bypass Valve Right
16	Bypass Valve Left
17	Not Used
18	Not Used
19	Current Sensor
20	Current Sensor

14 Pin Connector	
1	12 Vac Input
2	12 Vac Input
3	Tank Water Level Probe
4	VdG +5Vdc
5	Not Used
6	Tank Temperature Sensor
7	Tank Temperature Sensor
8	Not Used
9	Vss- (Logic Common)
10	Solid State Relay +5Vdc
11	Data Communication First
12	Not Used
13	Solid State Relay - Common
14	UPM Ground

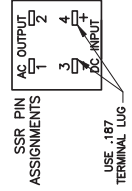
(UCM TOUCH SCREEN) Pin Assignments

8 Pin Connector	
1	12 Vac Input (Back Light)
2	VdG +5Vdc
3	Vss- (Logic Common)
4	Not Used
5	12 Vac Input (Back Light)
6	Data Communication First
7	Not Used
8	Not Used

5 Pin Connector	
1	TX - Transmit
2	RX - Receive
3	Vss- (Logic Common)
4	VdG +5Vdc
5	Vss- (Logic Common)

(USB) Pin Assignments

6-Pin Connector	
1	Vss- (Logic Common)
2	TX - Transmit
3	VdG +5Vdc
4	RX - Receive
5	Not Used
6	Not Used



2. USE THIS DIAGRAM FOR ALL OTHER MODELS WITH ADDED PREFIX LETTERS AND/OR SUFFIX NUMBERS ON THEIR PART NUMBERS HAVING THE SAME ELECTRICAL RATINGS.
 1. ALL WIRES SHALL BE MIN 18AWG UNLESS NOTED.
 NOTES: UNLESS OTHERWISE SPECIFIED

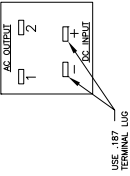
ELECTRICAL RATING TABLE

Model	Voltage V	Amps A	Watts W	Hertz Hz	# of Conductor Wires	Phase	# of Tank Elements	Tank Element Rating W/V	Warmer Element Rating W/V
G4TP1500x	200	16.9	3380	50/60	2	1	2	2000W/220V	-
	220	35.0	4100						
	230	30.0	4900						
	240	17.8	3550						
G4GEM300x	220	19.5	4300	50/60	2	1	2	2000W/220V (1X) 100W/220V	-
	230	20.4	4700						
	240	21.5	5150						

TITLE: LADDER DIAGRAM
 PWR NUMBER: LD-GTPSG4-30
 REVISION: E

TWIN, DOMESTIC

SSR PIN ASSIGNMENTS

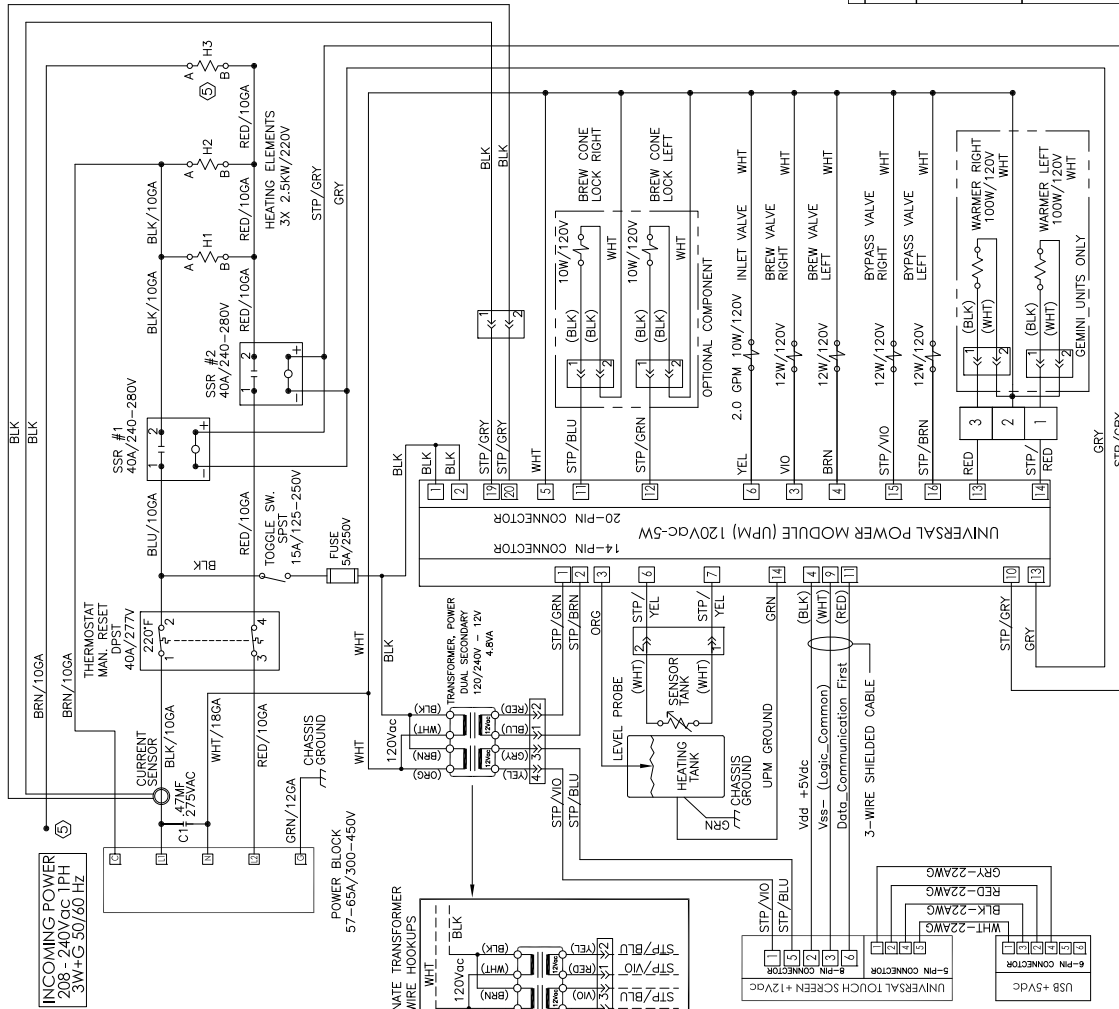


20 Pin Connector		14 Pin Connector	
1	120Vac Hot Input	1	12 Vdc Input
2	120Vac Hot Input	2	12 Vdc Input
3	Brew Valve Right	3	Tank Water Level Probe
4	Brew Valve Left	4	VSD +5Vdc
5	120Vac Neutral	5	Not Used
6	120Vac Neutral	6	Tank Temperature Sensor
7	Not Used	7	Not Used
8	Not Used	8	Logic Communication First
9	Trace Gnd	9	Vdc (Logic Common)
10	Trace A2	10	Solid State Relay +5Vdc
11	Brew Cone Lock Right	11	Data Communication First
12	Brew Cone Lock Left	12	Not Used
13	Warmer Right	13	Solid State Relay - Common
14	Warmer Left	14	Tank Ground
15	Bypass Valve Right		
16	Bypass Valve Left		
17	Not Used		
18	Not Used		
19	Current Sensor		
20	Current Sensor		

8 Pin Connector		5 Pin Connector	
1	12 vac input (back light)	1	TX - Transmit
2	VDD +5Vdc	2	RX - Receive
3	VSS (Logic Common)	3	VSD +5Vdc
4	12 Vdc Input (Back Light)	4	VSD +5Vdc
5	Data Communication First	5	Vdc (Logic Common)
6	Not Used		
7	Not Used		
8	Not Used		

6 Pin Connector	
1	Vdc (Logic Common)
2	TX - Transmit
3	VDD +5Vdc
4	RX - Receive
5	Not Used
6	Not Used

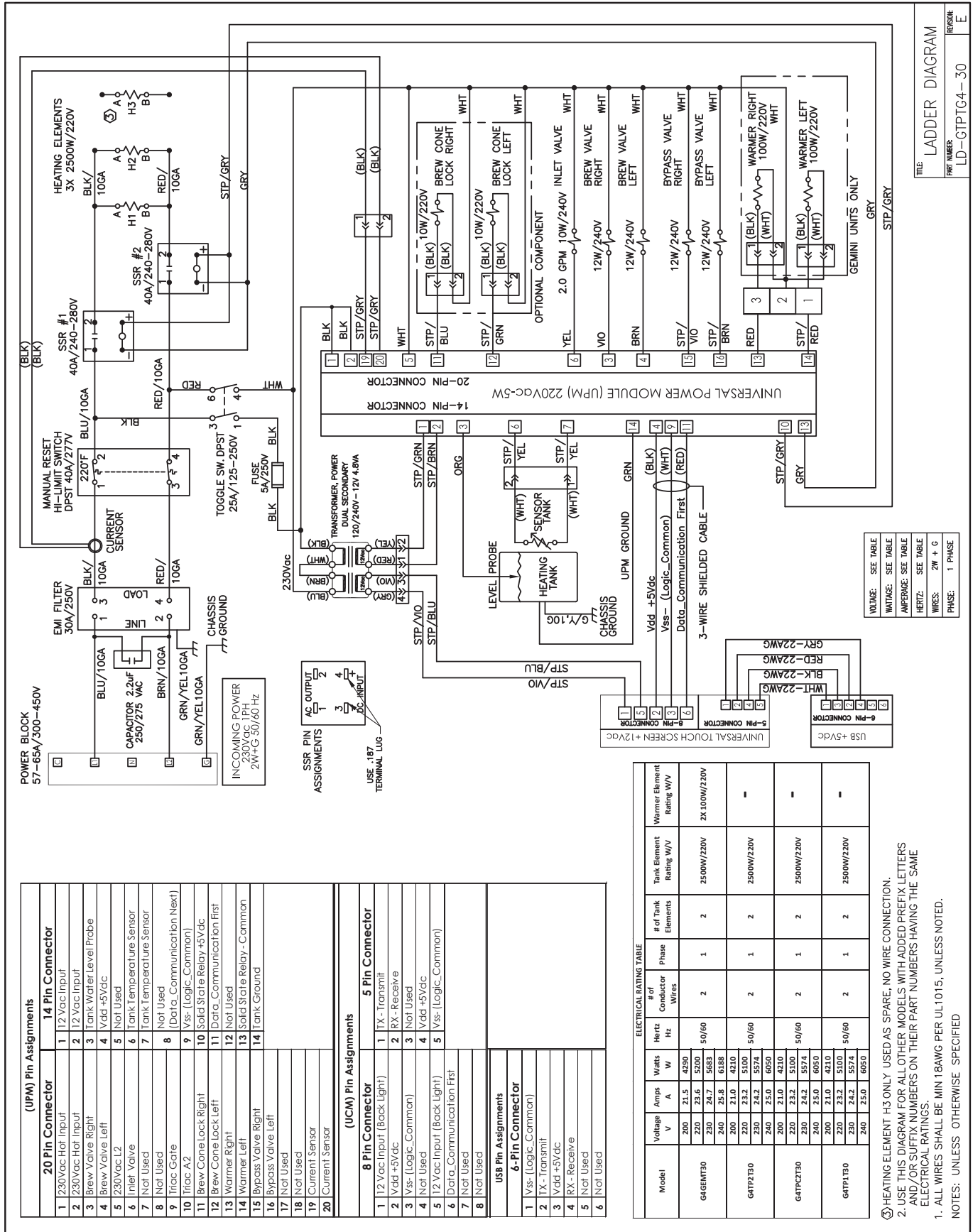
Model	Voltage V	Amps A	Watts W	Hertz Hz	# of Conductor Wires	ELECTRICAL RATING TABLE		Warmer Element Rating W/V
						Phase	# of Tank Elements	
GEMT10	208	22.3	4648	50/60	3	1	2	2X 100W/220V
	220	23.6	5200	50/60	3	1	2	
	240	25.8	6188	50/60	3	1	2	
	208	32.7	6794	50/60	3	1	3	
	220	34.5	7600	50/60	3	1	3	
	240	37.7	9044	50/60	3	1	3	
TP2T10/TPC2T10/TP1T10/TPA1T10	208	21.5	4550	50/60	3	1	2	2500W/220V
	240	25.0	6050	50/60	3	1	2	
	220	34.5	7600	50/60	3	1	3	



- ⑤ H1 & H2 CONNECTION (SKW FACTORY DEFAULT). BRN WIRE IS CAPPED & STOWED. FOR 7.5KW CONNECTION, REMOVE CAP ON BRN WIRE (10GA) & CONNECT TO POINT "C" ON POWER BLOCK.
- ⑥ USE THIS DIAGRAM FOR ALL OTHER MODELS WITH ADDED PREFIX LETTERS AND/OR SUFFIX NUMBERS ON THEIR PART NUMBERS HAVING THE SAME ELECTRICAL RATINGS.
- 1. ALL WIRES SHALL BE 18AWG PVC UL1015 UNLESS NOTED.
- NOTES: UNLESS OTHERWISE SPECIFIED

ISSUE	SEE TABLE	TITLE
ISSUE	SEE TABLE	LADDER DIAGRAM
REV	SEE TABLE	PART NUMBER
DATE	SEE TABLE	REVISED
PHASE	1 PHASE	LD-GTPTG4-10
		F

G4TP1T30A3100, G4TP2T30A3100



TITLE: LADDER DIAGRAM
 PART NUMBER: LD-G4TPG4-30
 REGION: E

**WARNING:**

Electric Shock Hazard - the following procedures are to be performed only by a qualified service technician. Turn off power when replacing components. Neither Wilbur Curtis Co., Inc. nor the seller can be held responsible for the interpretation of this information, or any liability in connection with its use.

Scald and Burn Hazard - keep body parts clear of hot surfaces during troubleshooting.



IMPORTANT: If it is necessary to replace the G4 universal power module (UPM), always check all inlet, dump (brew), bypass* and dilution* valve coils for a short and replace the valve as necessary, before replacing the module. See the **Valve Test Procedure**, below to test for defective valves. *Some units do not have this function, see the ELECTRICAL SCHEMATIC.

Troubleshooting Guidelines

- If an error message appears on the display, consult the ERROR CODES section before troubleshooting.
- A brewer that is not level may not function properly. Make sure the brewer is properly leveled before proceeding.
- This troubleshooting guide identifies some, but not all, of the possible causes for common problems that can occur.
- Use this troubleshooting guide along with the appropriate ELECTRICAL SCHEMATIC.

Valve Test Procedure

Use a digital multi-meter to measure the resistance of valve coils.

Measure the resistance across the valve coil terminals with the wiring harness disconnected. Reverse the meter leads on the terminals and measure the resistance in the opposite direction. A resistance of less than 100 ohms, in either direction, indicates a shorted coil. The valve must be replaced.

If a shorted coil is not detected, test for an open coil:

- 1 Reconnect the valve terminals to the wiring harness.
- 2 Power up the brewer and test the valve using the diagnostics in section TG11.

Water Not Hot Enough

- 1 If the water heats, but is not hot enough, first check for the correct temperature setting on the control panel. Reprogram as necessary.
- 2 If the temperature setting is OK, and the actual water temperature does not match setting on the control panel, replace the temperature sensor.

Water Heats More Slowly Than Usual

- 1 Check for power across the terminals of the heating element(s). If power is being supplied, disconnect the heating element(s) and check for continuity. Replace a heating element if the resistance is too high (nominal resistance is 13 Ohms).
- 2 If there is no power to the heating element(s), check the wiring to any element that does not have the proper voltage across it. Also check for corroded connections anywhere between the power cord and the heating element(s).

Dispenser Overflows During Brewing

- 1 Check to make sure the control module (UCM) brew, bypass* and dilution* levels are set properly.
- 2 Check for a missing spray head. Replace as needed.
- 3 Make sure the dispenser is empty before starting the brew cycle. If not, empty it before brewing.

*Some units do not have this function, see the ELECTRICAL SCHEMATIC.

No Power - Display Not Lit

- 1 Make sure the circuit breaker to the circuit supplying power to the brewer is not tripped and is turned on.
- 2 On brewers with a power plug, make sure it is connected to the power receptacle.
- 3 Make sure that the main power toggle switch on the back panel is turned ON.
- 4 Verify that all wires from the power cord are properly connected inside the unit. Check to make sure the wires are not burned/overheated. Check chassis ground.
- 5 Check the low voltage input to the universal control module (UCM) from the transformer (see the ELECTRICAL SCHEMATIC). If there is power into the UCM, but the display is blank, the UCM is probably bad.
- 6 If there is no power into the UCM, trace the circuit back (using the wiring diagram) to the power cord to find out where power is lost. If there is power into the thermostat reset switch, but not out, see step 7.
- 7 If there is power into the thermostat reset switch, but not out, check to make sure that the water tank is not empty. If the tank is empty, the reset switch has probably opened up due to a low water level, go to **Water Tank Does Not Fill**. If there is water in the tank, but no power out, push in on the reset switch button to see if it restores power. If power is restored, check to make sure that the switch is not opening up at the wrong temperature (the switch should not open up at normal water temperatures). If there is still no power through the switch after pushing the button, replace the thermostat reset switch.

Brewer Does Not Start When Brew Button is Pressed

- 1 If **Brewing** appears on the display, check for faulty wiring and connections between the universal power module (UPM) and the valves.
- 2 If **Brewing** does not appear on the display, check for a faulty universal control module (UCM) or universal power module (UPM).

Sensor Error Message

This error indicates a malfunction (open circuit) in the temperature sensor system. Once the malfunction is corrected, the error message must be cleared. To reset the brewer and return to normal operation, turn the toggle switch on the back of the brewer to the OFF position for 5 seconds, then back ON.

- 1 Check the resistance across the leads of the temperature sensor while it is disconnected from the universal power module (UPM). If an open circuit is measured (resistance above 200 k), replace the sensor.
- 2 If the sensor resistance is less than 200 k check the sensor wires for corrosion and reconnect them to the UPM. Afterward, if the error message comes back after resetting the control and power modules, replace the UPM.

Water Tank Overfills

- 1 Turn the toggle switch on the back of the brewer ON and OFF. If water continues to flow when the switch is in both positions, replace the inlet valve.
- 2 If water stop flowing to the water tank when the toggle switch is turned OFF and continues when the switch is turned back ON, remove the orange wire from the water probe on the tank. While power is ON, short the end of the orange wire to the metal surface on the outside of the tank. If the water tank stops filling when the orange wire is shorted to the tank, check for a corroded connection at the water probe.
- 3 If water does not stop flowing when the orange wire is shorted to the tank, check the tank ground connection and the continuity of the orange wire connecting to the universal power module (UPM). If both are OK, replace the UPM.

Water Tank Does Not Fill



IMPORTANT: No water or low water in the tank can cause the tank to overheat, resulting in the thermostat reset switch opening. If after correcting a tank fill problem there is no power to the control panel, push the reset switch button to reset.

- 1 Check to make sure the water supply is turned on. Check for a plugged water supply line or plugged inlet valve.
- 2 If there are no plugs in the water supply line, check for power across the inlet valve terminals. If power is being supplied, but there is no water flow, replace the inlet valve.
- 3 If power is not being supplied to the inlet valve, check the wires between the universal power module (UPM) and the inlet valve. Check for corroded connections.
- 4 If the wiring between the UPM and the inlet valve is OK, but there is no power to the inlet valve, remove the orange wire from the water tank probe. If the water tank starts to fill, replace the water probe. If the water tank does not start to fill, replace the UPM.

Coffee/Tea Too Strong

See *Dispenser Not Filled To Normal Level During Brewing*.

Dispenser Not Filled To Normal Level During Brewing

- 1 Check to make sure that the universal control module (UCM) brew, bypass* and dilution* levels are set properly.
- 2 Check to make sure that the flow rate and water pressure from the water supply line meet the minimum specifications for the brewer. See the SPECIFICATIONS section.
- 3 Check to make sure that the spray head is clean and free of debris. Clean or replace as needed. Also make sure that the spray head is correctly aligned and that the tubing is routed properly to allow for maximum water flow (no kinks).
- 4 Remove the brew basket and place a large container under the dump (brew) and dilution outlet points. Run a brew cycle and confirm that the dump (brew) valve, bypass* valve and dilution* valve open during the brew cycle. Check for flow through any exit point that is slow or non-existent. Not all valves open at the same time. If flow is restricted, check for obstructions in the related tubing or valve. If there are no obstructions, but flow through one particular valve is slow, it can be assumed that the particular valve is not opening all the way and should be replaced. If water does not flow at all through a particular valve during the brew cycle, check to make sure that power is being supplied to the valve in question. Replace any valve that is not opening when power is applied to the terminals. If power is not being supplied to the valve, check the wiring between the valve and the universal power module (UPM). If the wiring is OK, replace the UPM.

*Some units do not have this function, see the ELECTRICAL SCHEMATIC.

Dispenser Overflows All Of The Time

- 1 Check to see if water continues to flow from the spray head, the bypass* outlet or the dilution* spout when the toggle switch is turned OFF. Replace any valve that is stuck open.
*Some units do not have this function, see the ELECTRICAL SCHEMATIC.
- 2 If one or more of the valves mentioned in step 1 turns on when the toggle switch on the back is ON and turns off when the switch is OFF, replace the universal power module (UPM).

No Water/Tea Flows From Brewer During Brewing

- 1 Make sure that the water supply is turned on.
- 2 Check to see if the water in the tank is level with the water tank probe? If not, see *Water Tank Does Not Fill*.
- 3 If the water tank is full, the water is hot and power is on, but NO water flows during a brew cycle, the problem is usually a bad universal power module (UPM). Run a brew cycle and check for power from the UPM to the dump (brew), bypass* and dilution* valves. If there is no power output, replace the UPM.
*Some units do not have this function, see the ELECTRICAL SCHEMATIC.

Low Water Flow Warning

See *Water Level Error Message*.

Water Level Error Message

Water level fill error or overflow. This error message occurs when the inlet valve solenoid has been on too long during initial fill or tank refill, See the ERROR CODES section for the maximum times allowed. Once the malfunction is corrected, the error message must be cleared. To reset the unit and return to normal operation, turn the toggle switch on the back of the brewer to the OFF position for 5 seconds, then back ON.

- 1 Check to make sure that the flow rate from the water supply line meets the minimum flow rate specifications for the brewer. Also check the water pressure. See the SPECIFICATIONS section.
- 2 Check for blockage at the inlet valve inlet or outlet. Check for blockage in the tubing between the inlet valve and the water tank.
- 3 Check the water probe wire for an open condition or corroded connections.
- 4 If the probe connections are OK, cycle power to the unit by turning the rear toggle switch OFF, then ON. Check to see if power is applied to the inlet valve terminals. If power is applied to the terminals, but there is not water flow, replace the iDLETnlet valve.
- 5 Check for power from the universal power module (UPM) to the inlet valve. If the wiring is OK, replace the UPM.

“Internal Error 1” Message on Display

Check the wiring harness that connects from pins 4, 9 and 11 of the 14-pin connector on the universal power module (UPM) to pins 2, 3 and 6 of the 8-pin connector on the universal control module (UCM).

“Internal Error 2” Message on Display

The universal power module (UPM) and universal control module (UCM) have a mismatch in their settings. A firmware update is needed. See *PROGRAMMING GUIDE*.

Water Does Not Heat At All

- Check to see if the water level in the tank is in contact with the water level probe. If not, see *Tank Does Not Fill*. The water will not heat unless it is in contact with the probe.
- If the water heats, but is not hot enough, see *Water Not Hot Enough*.
- If **Ready to brew** appears on the display, but the water is not hot, check the resistance across the leads of the temperature sensor. If the resistance is less than 10 k and the water is not hot, replace the temperature sensor. If the sensor resistance is above 10 k when the water is cool, replace the universal power module (UPM).

If **Heating...** appears on the display, but the water is not hot, follow the steps below. The following steps are performed with the rear toggle switch in the ON position.

- 1 Check for power across the terminals of the heating element(s). If power is being supplied, remove the wires and check for an open heating element.
- 2 If there is no power to the element(s), trace the circuit back (using the ELECTRICAL SCHEMATIC) to the power cord to find out where power is lost. If there is power into the solid state relay(s) (SSRs) but not out, see the following step. On units having two SSRs, be sure to check both.
- 3 If there is power into a SSR, but not out, check for 5 Vdc (nominal*) across the + and - pins of the SSR(s). If there is 5 Vdc across the + and - pins of the SSR(s), but no (or low) output voltage at a SSR output terminal, replace the SSR. If 5 Vdc is not being supplied from the UPM, but **Heating...** appears on the display, check the wiring from the UPM to the SSR(s). If the wiring is OK, replace the UPM.

Water Too Hot (Boiling or Excessive Steaming)



IMPORTANT: Before proceeding, make sure that the control panel temperature is adjusted to compensate for higher elevations. The factory setting is 200°F. Reduce the temperature setting two degrees for every 1000 feet of elevation above 4000 feet.

- 1 If **Over Temp Sensor** or **Ready to Brew** appears on the display and the water is too hot, go to *Over Temp Sensor Error Message*.
- 2 If the display reads **Heating** constantly, first check to make sure that the temperature sensor is attached tightly to the tank and that heat sink compound was used. A properly mounted sensor should have a resistance of around 7 k when the water is hot. If not, replace the sensor.
- 3 Check to see if the universal power module (UPM) constantly has +5 Vdc (nominal) output to the solid state relay (SSR), regardless of the resistance of the temperature sensor. If so, the UPM is probably bad.
- 4 If the UPM is working properly, check for a shorted SSR.

Over Temp Sensor Error Message

This error message indicates that the universal control module (UCM) has detected a water overheating problem. The universal power module (UPM) is reading a water temperature in the tank above 210°F. If the water temperature is too hot, but **Heating...** appears on the display, see *Water Too Hot*. Once the malfunction causing the error is corrected, the error message must be cleared. To reset the brewer and return to normal operation, turn the toggle switch on the back of the brewer to the OFF position for 5 seconds, then back on.

- 1 Check for 5 Vdc (nominal) across the + and - pins of the solid state relay (SSRs). If no power is applied to the SSR and the heating elements are always on, replace the SSR. On units having two SSRs, check both.
- 2 Turn off power to the brewer and allow the water tank to cool. Once cool, turn power back on while monitoring the voltage across the + and - pins of the SSR(s). During normal operation, the voltage should be 5 Vdc, until the water is hot, then drop to below 1 Vdc. The universal power module (UPM) should be replaced if the voltage reads 5 Vdc constantly even though **Ready to brew** or **Over Temp Sensor** appears on the display.
- 3 If the UPM is operating normally, check for a false over-temp error caused by the temperature sensor. Check the resistance across the leads of the temperature sensor. If the resistance is less than 10 k when the water is cool, replace the temperature sensor.

Overview

The G4 control module diagnostics can be used to detect electrical circuit failures in the brewer. When a circuit failure is identified, the individual components and wiring in the circuit must be checked to determine the exact cause of the failure using the ELECTRICAL SCHEMATIC. If a failure is not detected using the diagnostics, troubleshoot the problem according to the symptoms listed in other sections of this TROUBLESHOOTING GUIDE.

The diagnostics can also be used to help diagnose certain mechanical failures. See the following steps.

Using the Diagnostics

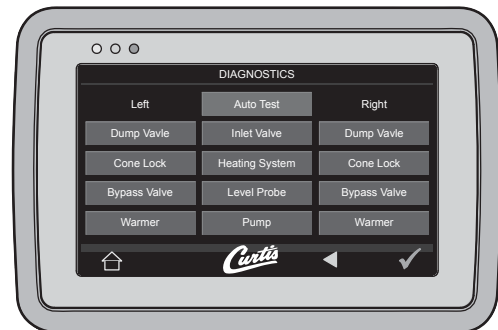
- 1 Enter programming mode by tapping the (white) Curtis logo on the touchscreen five (5) times.
- 2 Enter the access code, then press **OK** (the default code is 1 2 3 4).
- 3 The **MAIN MENU** screen will appear. Press **Control Settings**.
- 4 Press **Diagnostics**. When prompted, place an empty container under the brew basket, then press **OK**.
- 5 Press a button to test the desired circuit or **Auto Test** to test all circuits. If a button is highlighted green the circuit has passed the (electrical) test. If the button is highlighted red, the circuit has failed the test.

If the circuit tested fails, check to make sure that power is being supplied to the component during normal operation. If power is supplied, and it does not operate, replace the component. If power is not being supplied, check the wiring and the UPM.

If a valve circuit passes the test, check for a mechanical failure by listening for the valve to “click” when the test button is pressed. To check for a failed pump run a brew cycle and check for fluid flow through the pump.



Curtis logo



Diagnostics Screen

Button layout varies based model

Warning Messages - Allows Brewer to Continue Brewing

MESSAGE DISPLAY	WARNING DESCRIPTION	CAUSE
Maintenance Required	Maintenance Required	Brew count "Gallons Since Reset" exceeds programmed preventative maintenance period.
Low Water Flow Warning	Low Water Flow	If the Inlet valve remains on longer than XX seconds (during the brew cycle only) and repeats TWICE during that brew cycle. It shall clear upon the next brew and if the same low flow exists again, it will re-appear. XX = Alpha 20 secs; Gem/TP Twin 40 secs; Gem/TP Single 30 secs.
Internal Error 2	UPM-UCM have a mismatch in their settings.	UPM-UCM have a mismatch in their settings, firmware update needed.

Error Messages - Brewer Will Stop Brewing

MESSAGE DISPLAY	ERROR DESCRIPTION	CAUSE
Water Level Error	Fill run error/Overflow	The water inlet valve has either been open for more than 10 minutes on the initial tank fill or has been open for 120 seconds on large brewers and 30 seconds on CGC, tea brewers in normal operation.
Sensor Error	Open Sensor	Break in the temperature thermistor circuit or short circuit.
Over Temp. Error*	Excess Temperature	The sensor is reading that temperature in the heating tank has risen above 210°F, or sensor has shorted to ground.
Internal Error 1	UPM-UCM Communication	Break in the UPM-UCM communication circuit.

* This error is disabled on CGC and Seraphim® models.

Configuration Error Message - Brewer Will Not Function Properly

MESSAGE DISPLAY	ERROR DESCRIPTION	CAUSE
Configuration Error	UPM software revision does not support the model selected.	The universal power module (UPM) has an old software version and is not compatible with the brewer model in which it has been installed.

Wilbur Curtis Co., Inc. certifies that its products are free from defects in material and workmanship under normal use. The following limited warranties and conditions apply:

- 3 years, parts and labor, from original date of purchase on digital control boards
- 2 years, parts, from original date of purchase on all other electrical components, fittings and tubing
- 1 year, labor, from original date of purchase on all other electrical components, fittings and tubing

Additionally, Wilbur Curtis Co., Inc. warrants its grinding burrs for forty (40) months from the date of purchase or 40,000 pounds of coffee, whichever comes first. Stainless steel components are warranted for two (2) years from the date of purchase against leaking or pitting. Replacement parts are warranted for ninety (90) days from the date of purchase or for the remainder of the limited warranty period of the equipment in which the component is installed.

All in-warranty service calls must have prior authorization. For authorization, call the Technical Support Department at 800-995-0417. Additional conditions may apply. Go to www.wilburcurtis.com to view the full product warranty information.

CONDITIONS & EXCEPTIONS

The warranty covers original equipment at time of purchase only. Wilbur Curtis Co., Inc., assumes no responsibility for substitute replacement parts installed on Curtis equipment that have not been purchased from Wilbur Curtis Co., Inc. Wilbur Curtis Co., Inc. will not accept any responsibility if the following conditions are not met. The warranty does not cover:

- **Adjustments and cleaning:** *The resetting of safety thermostats and circuit breakers, programming and temperature adjustments are the responsibility of the equipment owner. The owner is responsible for proper cleaning and regular maintenance of this equipment.*
- **Replacement of items subject to normal use and wear:** *This shall include, but is not limited to, spray heads, faucets, light bulbs, shear disks, "O" rings, gaskets, silicone tubing, silicone elbows, canister assemblies, whipper chambers and plates, mixing bowls, agitation assemblies and whipper propellers.*

The warranty is void under the following circumstances:

- **Improper operation of equipment:** *The equipment must be used for its designed and intended purpose and function.*
- **Improper installation of equipment:** *This equipment must be installed by a professional technician and must comply with all local electrical, mechanical and plumbing codes.*
- **Improper voltage:** *Equipment must be installed at the voltage stated on the serial plate supplied with this equipment.*
- **Improper water supply:** *This includes, but is not limited to, excessive or low water pressure and inadequate or fluctuating water flow rate.*
- **Damaged in transit:** *Equipment damaged in transit is the responsibility of the freight company and a claim should be made with the carrier.*
- **Abuse or neglect (including failure to periodically clean or remove lime accumulations):** *The manufacturer is not responsible for variation in equipment operation due to excessive lime or local water conditions. The equipment must be maintained according to the manufacturer's recommendations.*

Repairs and/or Replacements are subject to Curtis' decision that the workmanship or parts were faulty and the defects showed up under normal use. All labor shall be performed during regular working hours. Overtime charges are the responsibility of the owner. Charges incurred by delays, waiting time, or operating restrictions that hinder the service technician's ability to perform service is the responsibility of the owner of the equipment. This includes institutional and correctional facilities. Wilbur Curtis Co., Inc. will allow up to 100 miles, round trip, per in-warranty service call.

Return Merchandise Authorization (RMA): All claims under this warranty must be submitted to the Wilbur Curtis Technical Support Department prior to performing any repair work or return of this equipment to the factory. **All returned equipment must be properly re-packaged in the original carton and received by Curtis within 45 days following the issuance of a RMA.** No units will be accepted if they are damaged in transit due to improper packaging. **NO UNITS OR PARTS WILL BE ACCEPTED WITHOUT A RETURN MERCHANDISE AUTHORIZATION (RMA). THE RMA NUMBER MUST BE MARKED ON THE CARTON OR SHIPPING LABEL. All warranty claims must be submitted within 60 days of service. Invoices will not be processed or accepted without a RMA number. Any defective parts must be returned in order for warranty invoices to be processed and approved.** All in-warranty service calls must be performed by an authorized service agent. Call the Wilbur Curtis Technical Support Department to find an agent near you.