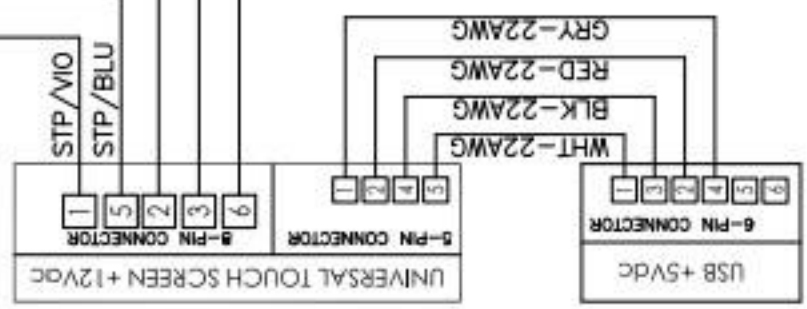
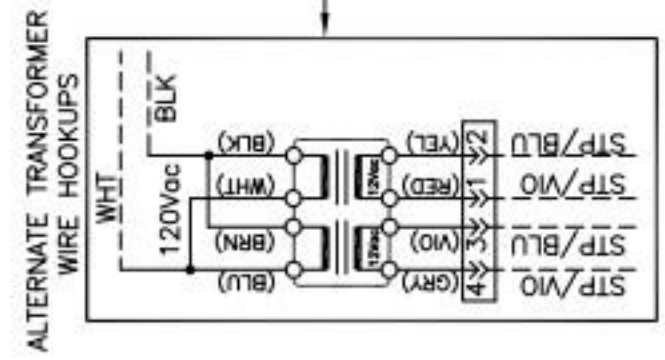
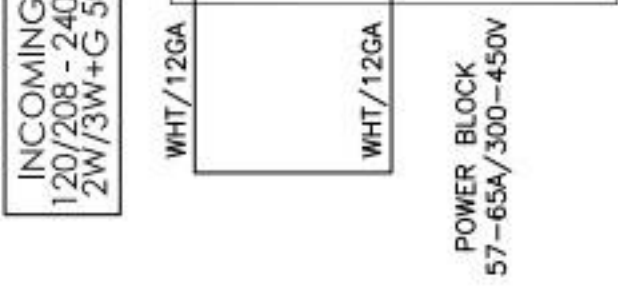
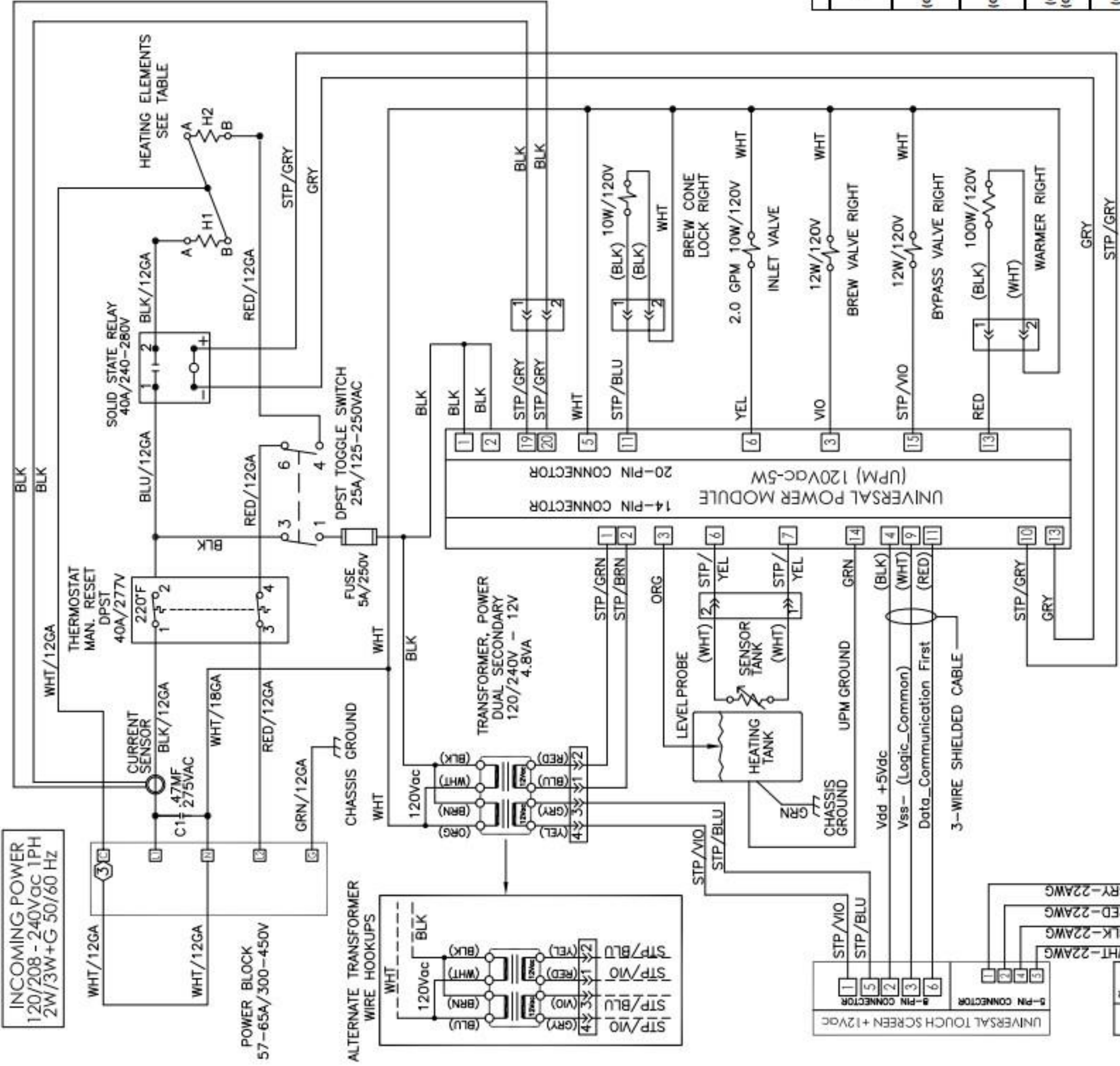


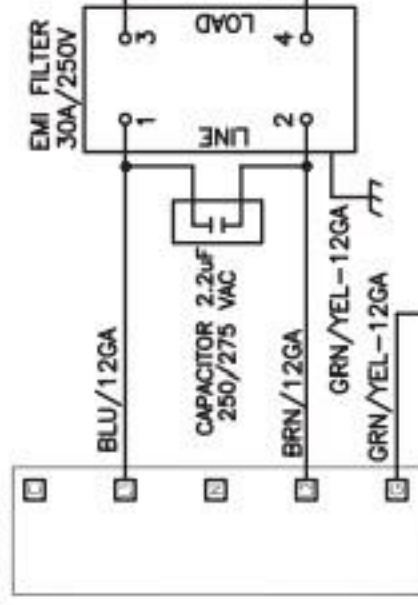
**INCOMING POWER**  
 120/208 - 240V<sub>ac</sub> 1PH  
 2W/3W+G 50/60 Hz



**SSR\_PIN\_ASSIGNMENTS**

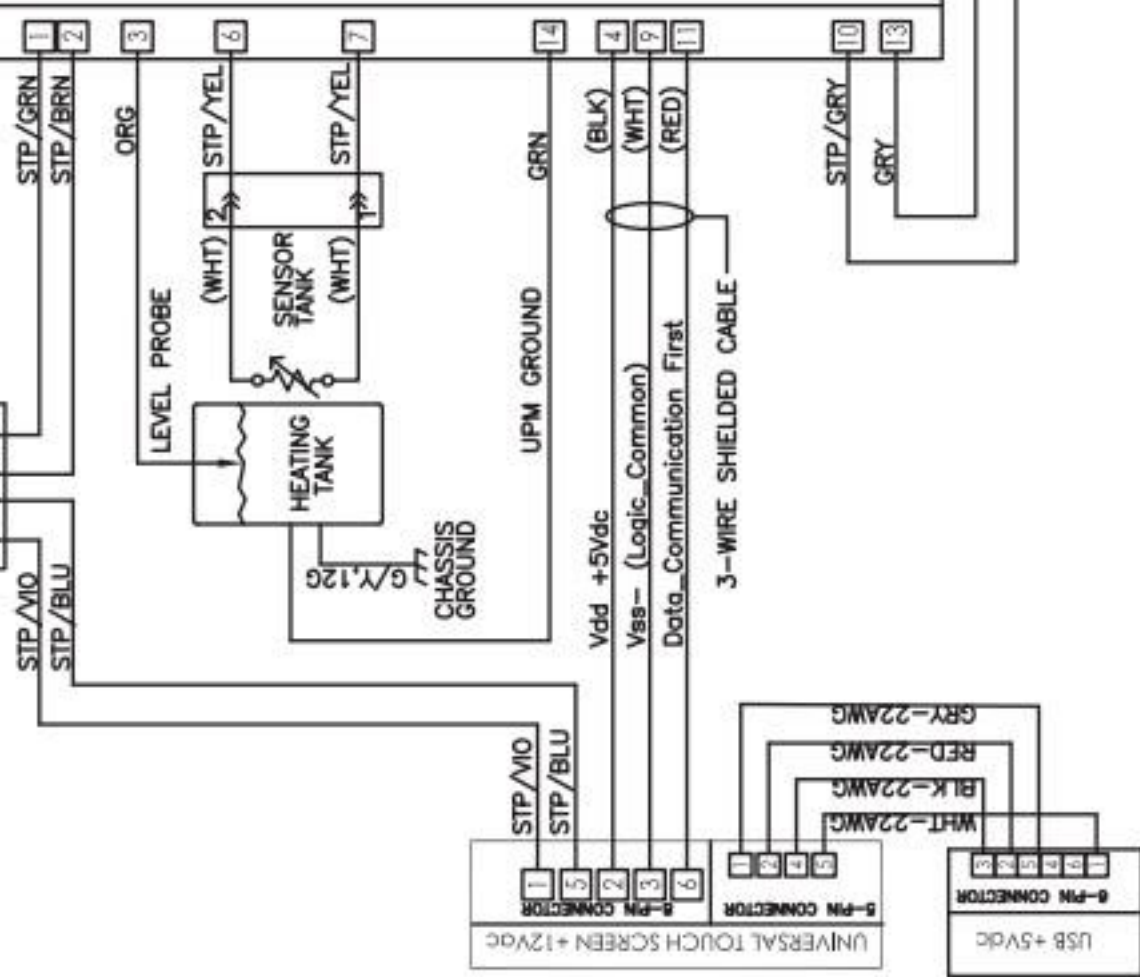
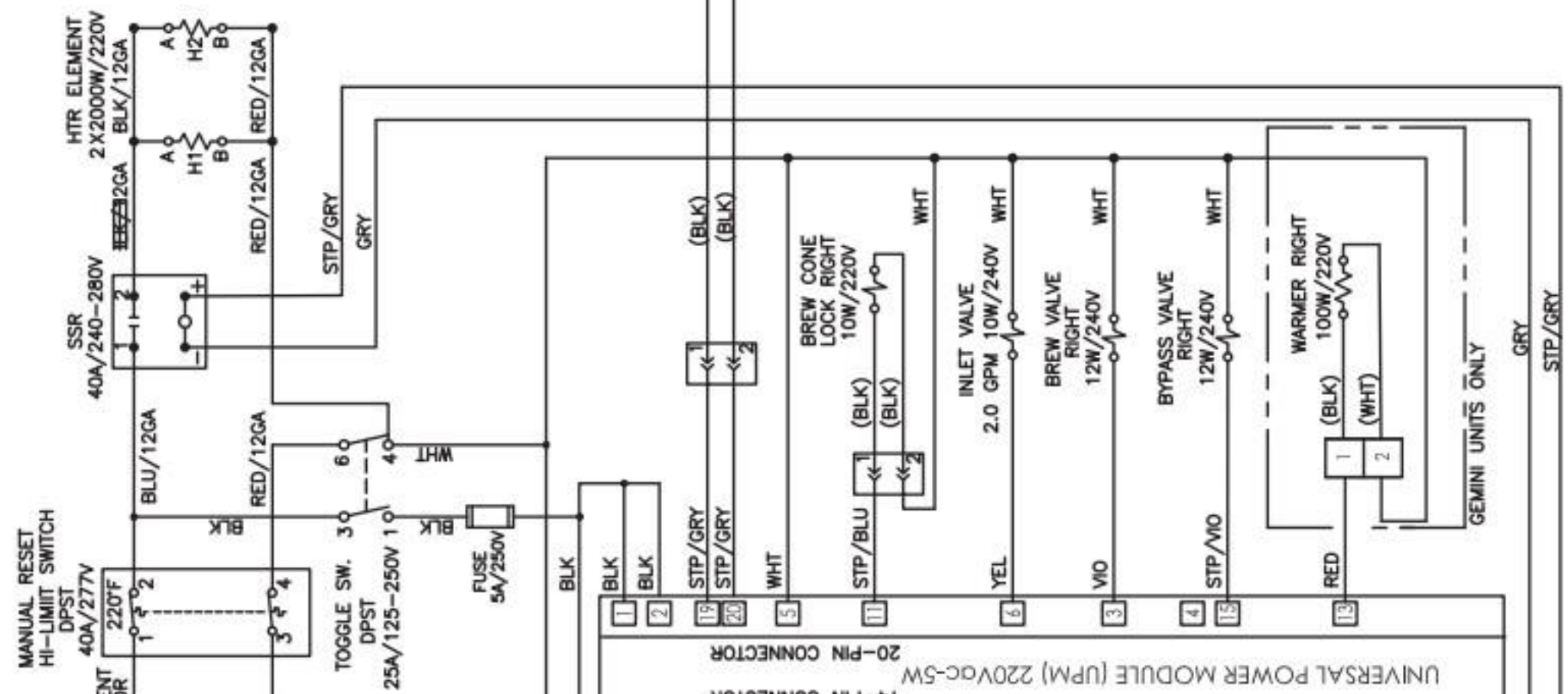
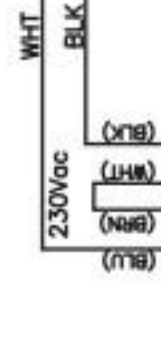


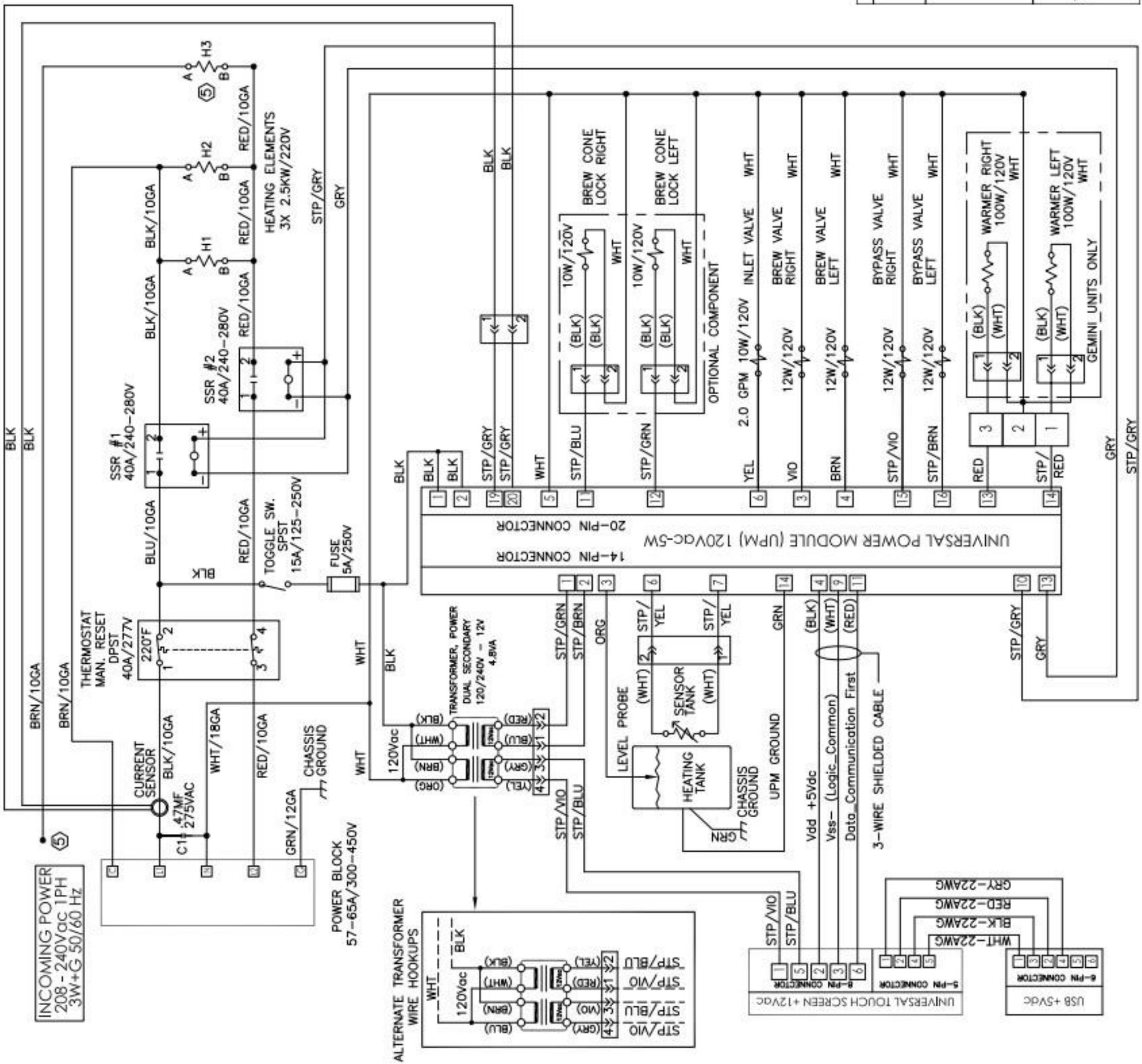
**POWER BLOCK**  
57-65A/300-450V



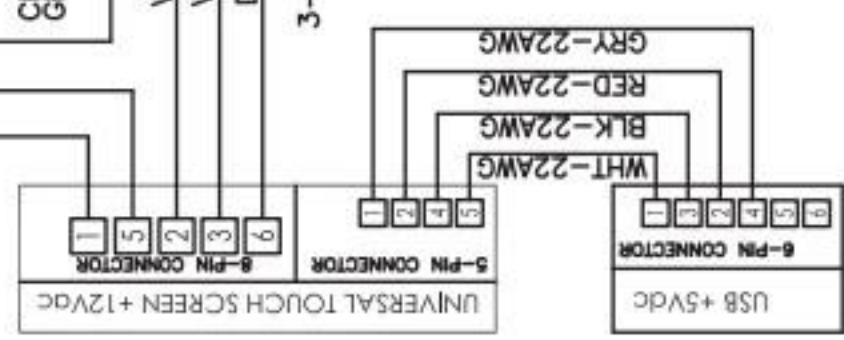
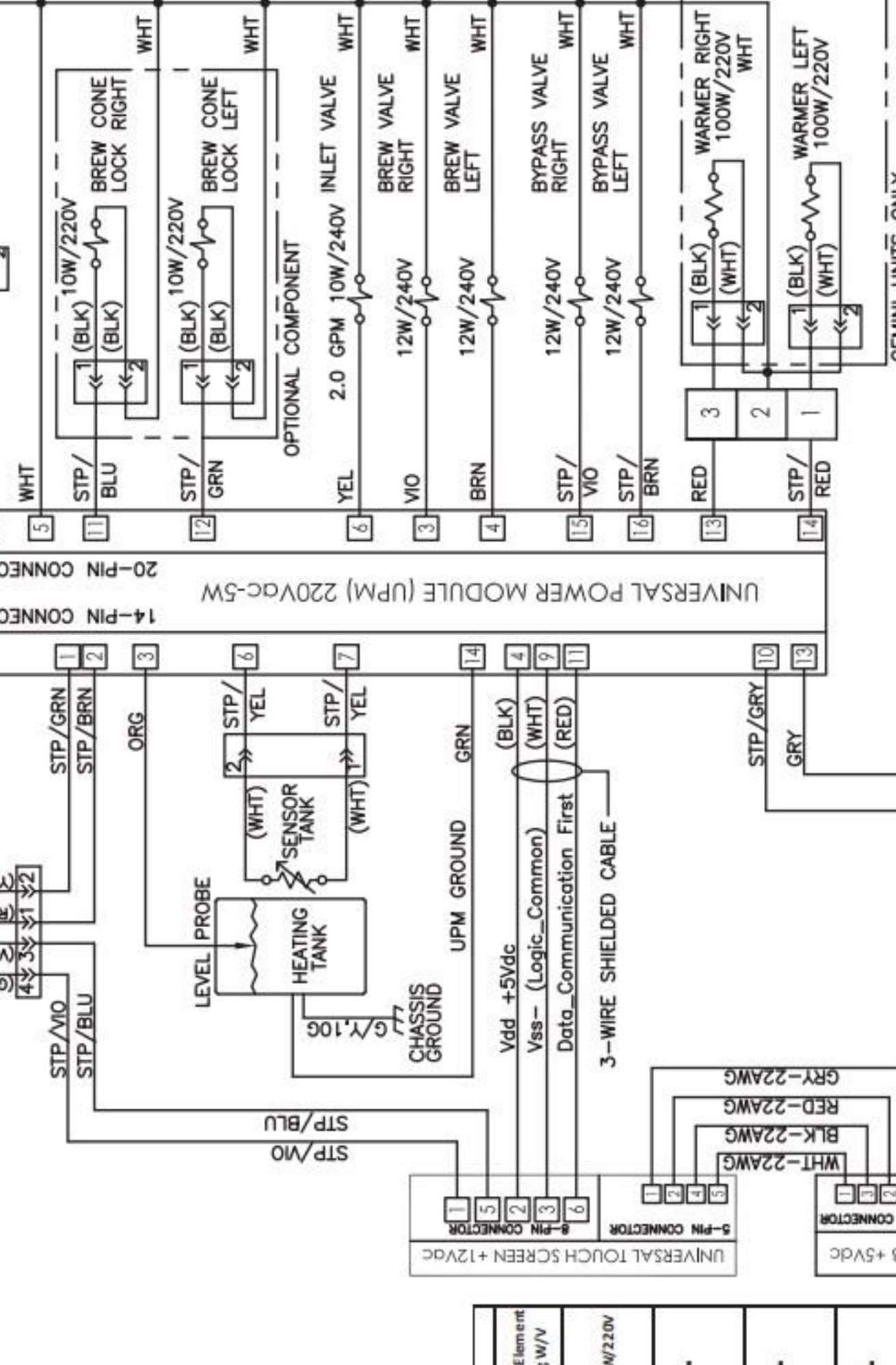
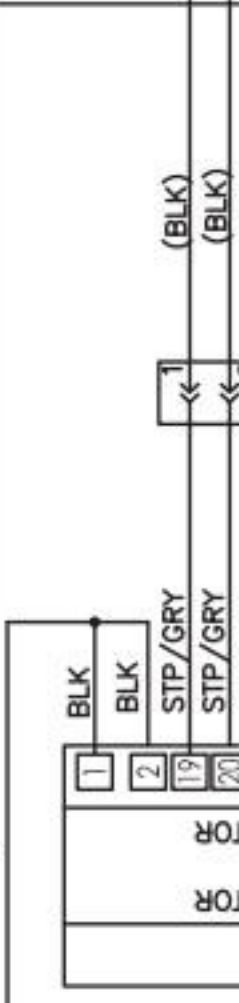
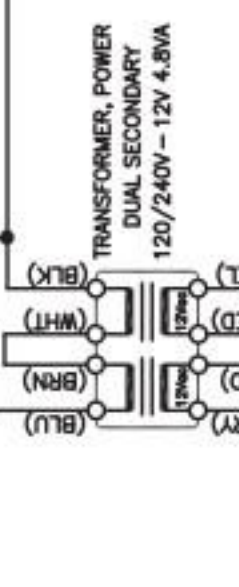
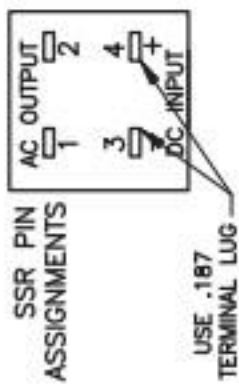
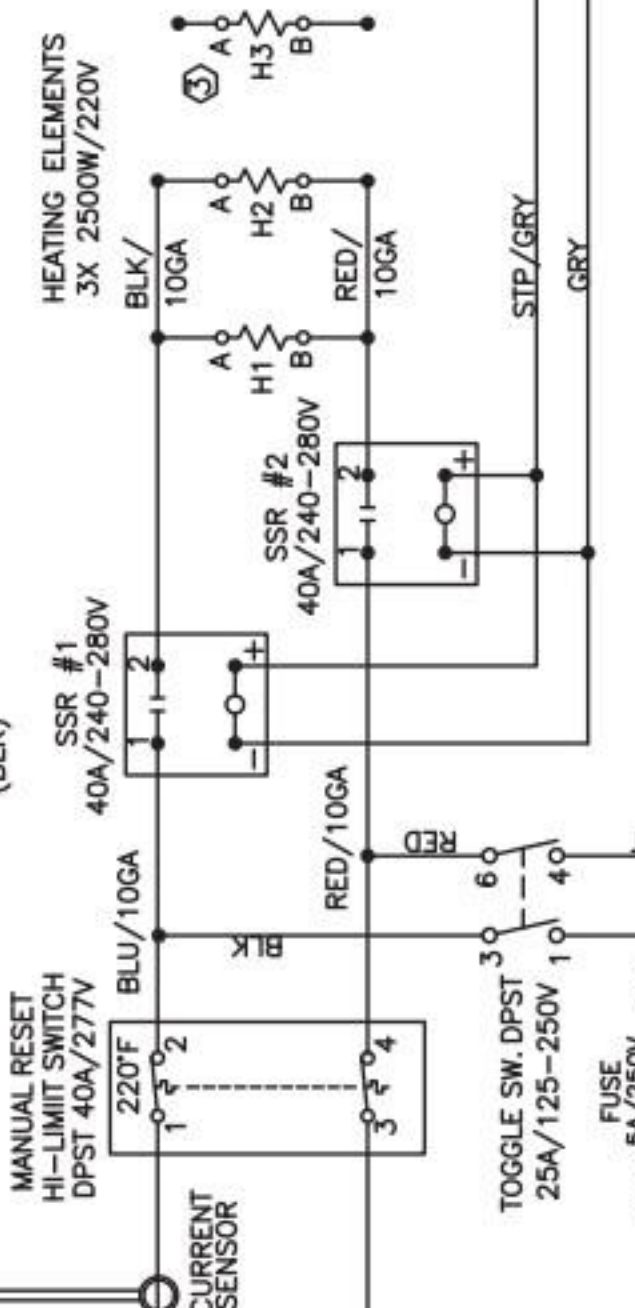
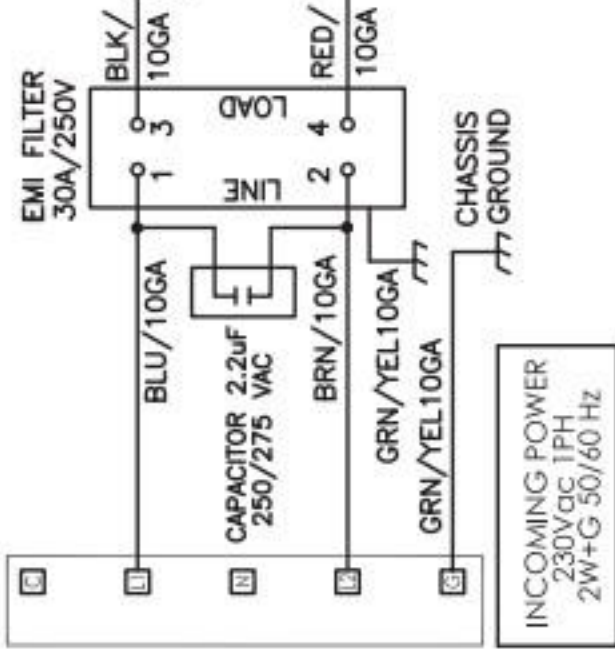
**INCOMING POWER**  
230V<sub>ac</sub> 1PH  
2W+G 50/60 Hz

**TRANSFORMER, POWER**  
DUAL SECONDARY  
120/240V - 12V  
4.8VA





**POWER BLOCK**  
57-65A/300-450V



VOLTAGE:	SEE TABLE
WATTAGE:	SEE TABLE
AMPERAGE:	SEE TABLE

GEMINI UNITS ONLY  
STP/GRY  
GRY