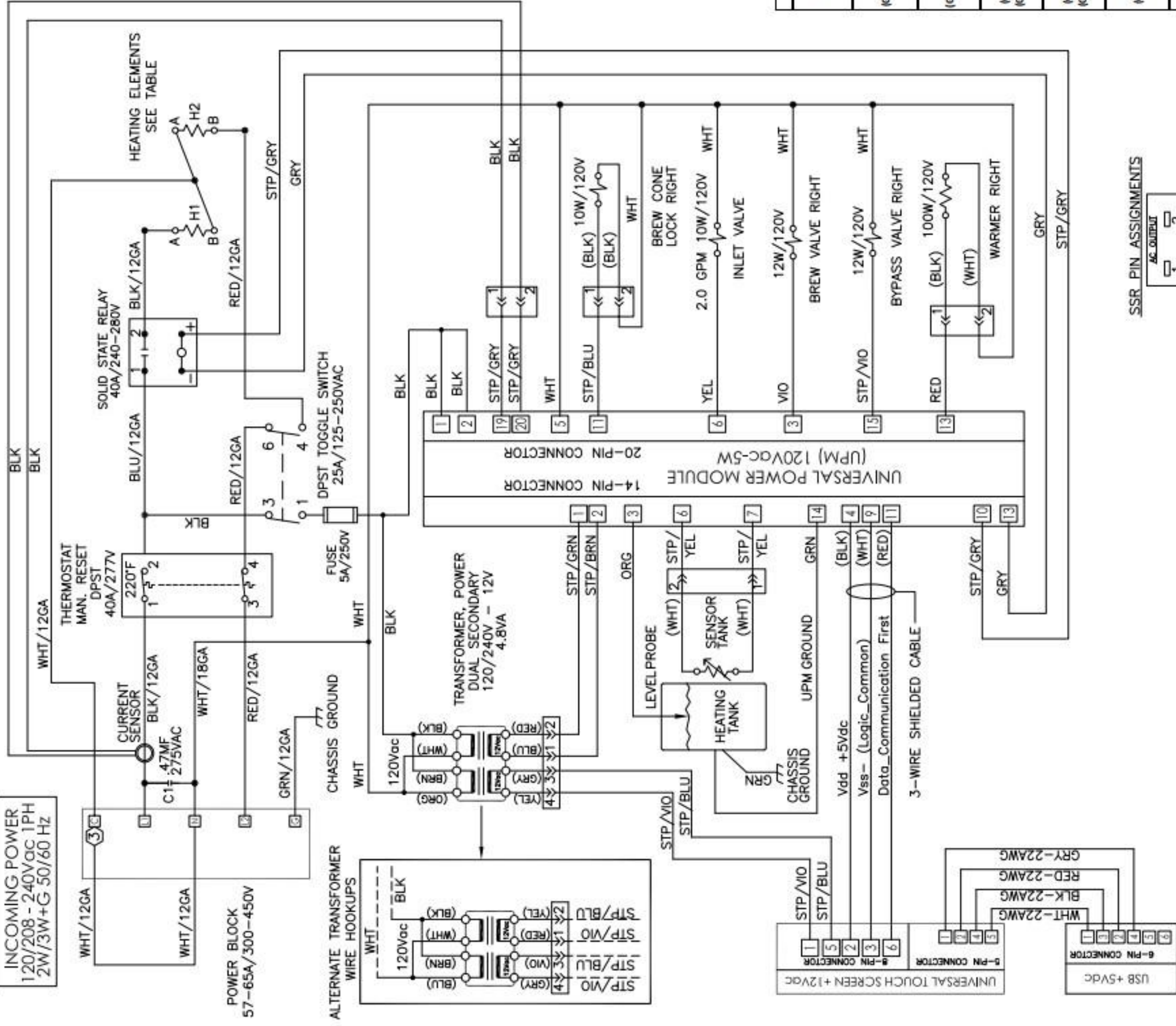
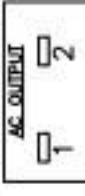


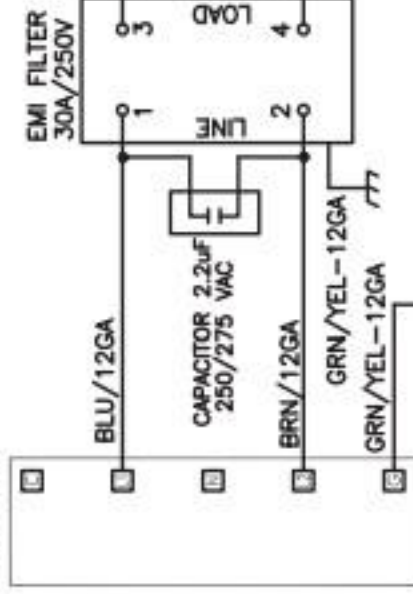
INCOMING POWER
 120/208 - 240Vac 1PH
 2W/3W+G 50/60 Hz



SSR PIN ASSIGNMENTS

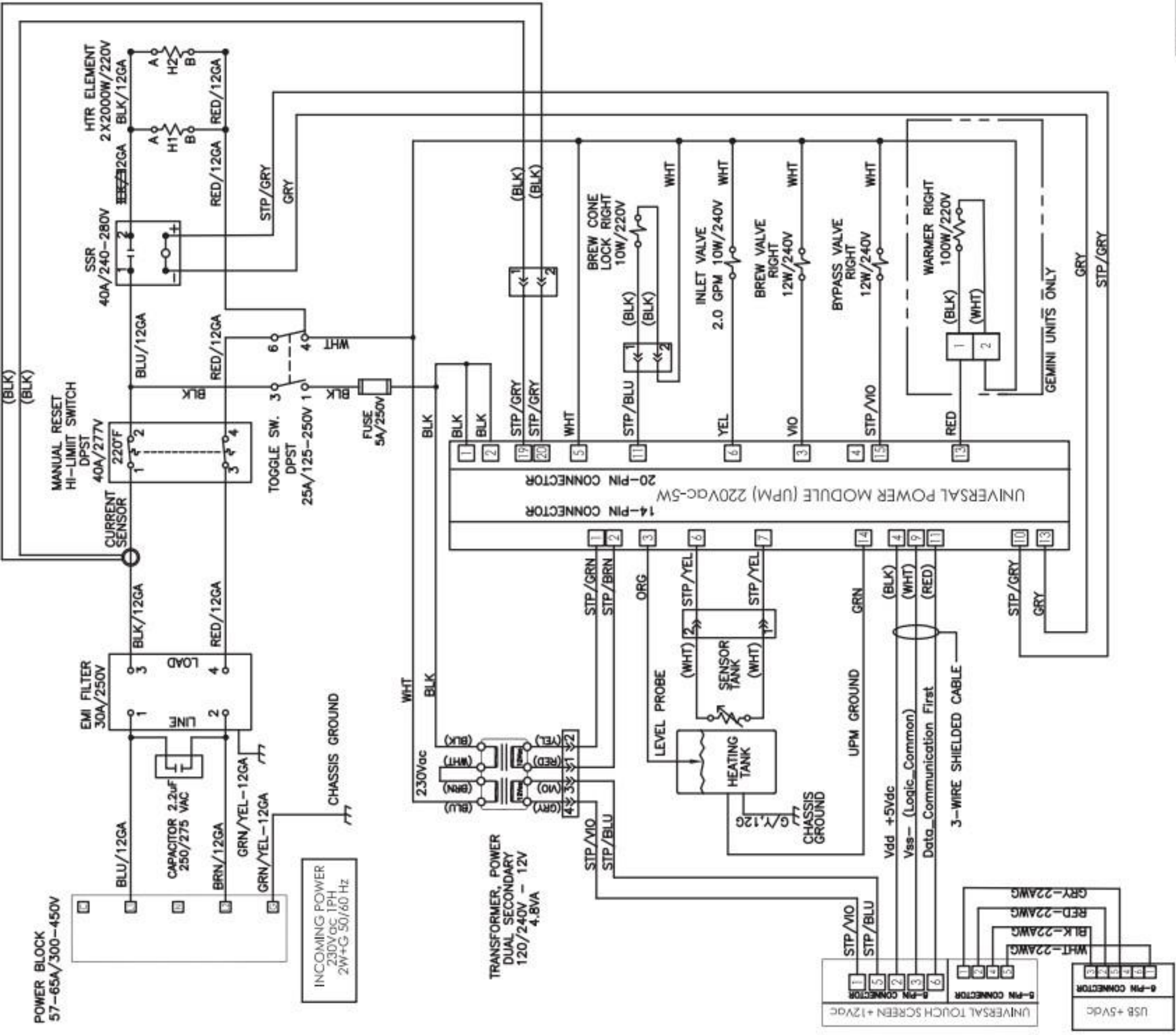


POWER BLOCK
57-65A/300-450V

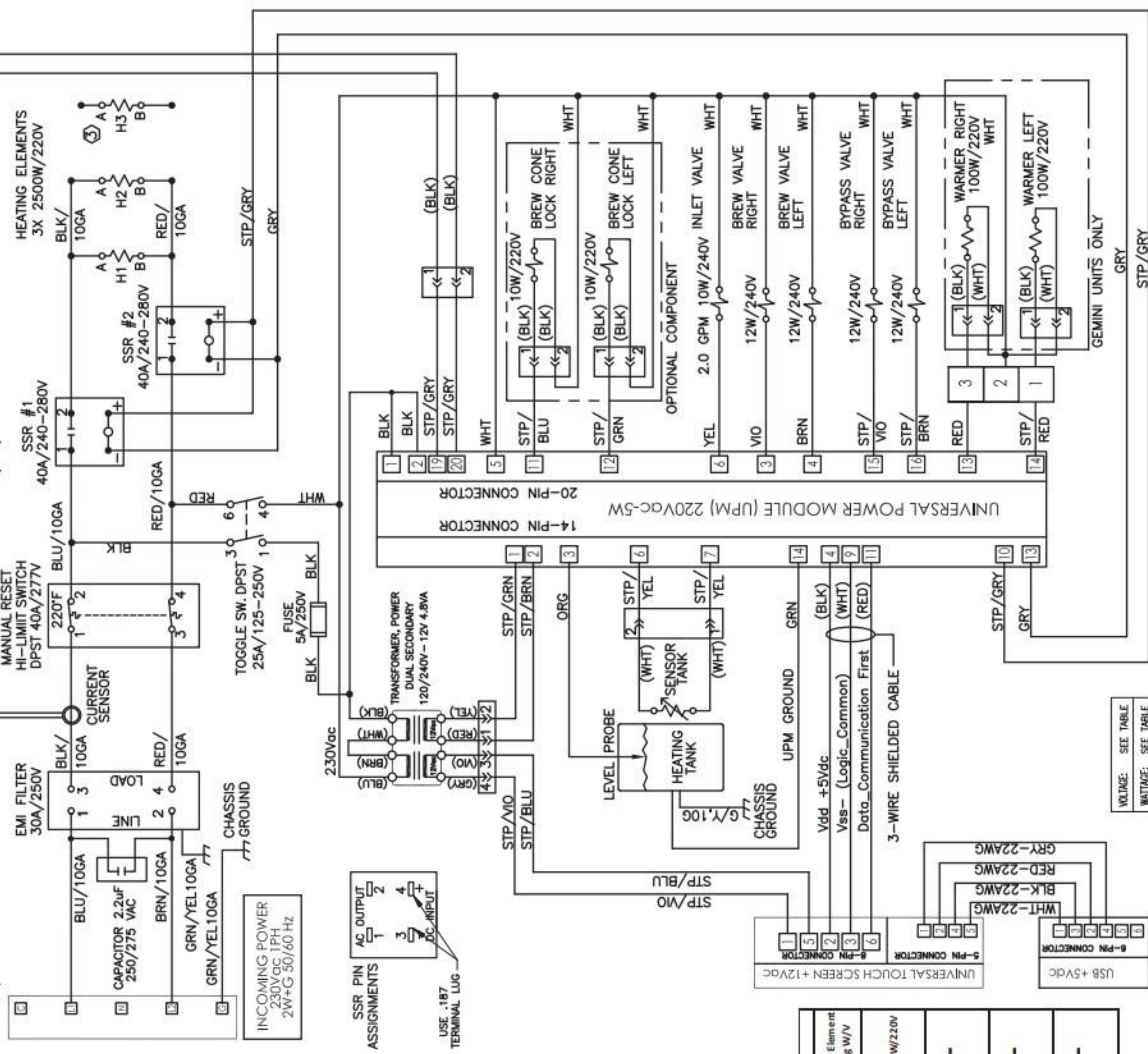


INCOMING POWER
230VAC 1PH
2W+G 50/60 Hz

TRANSFORMER, POWER
DUAL SECONDARY
120/240V - 12V
4.8VA



POWER BLOCK
57-65A/300-450V



| | |
|----------|-----------|
| VOLTAGE: | SEE TABLE |
| WATTAGE: | SEE TABLE |
| AMP/VA: | SEE TABLE |

| | |
|-----------------|------------|
| Element | Rating |
| Heating Element | 2500W/220V |
| | - |
| | - |
| | - |