

FEMALE IF
CONNECTOR
220-240Vac



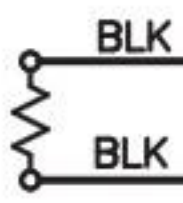
WHT-18GA

BLK-18GA

GRN-18GA

GROUND

WARMER ELEMENT
220Vac-75W



RED
RED

BLK-18GA
WHT-18GA

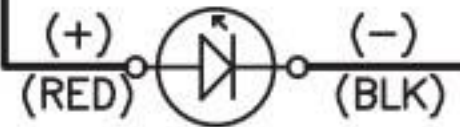
WHT-22GA

STP ORG-22GA

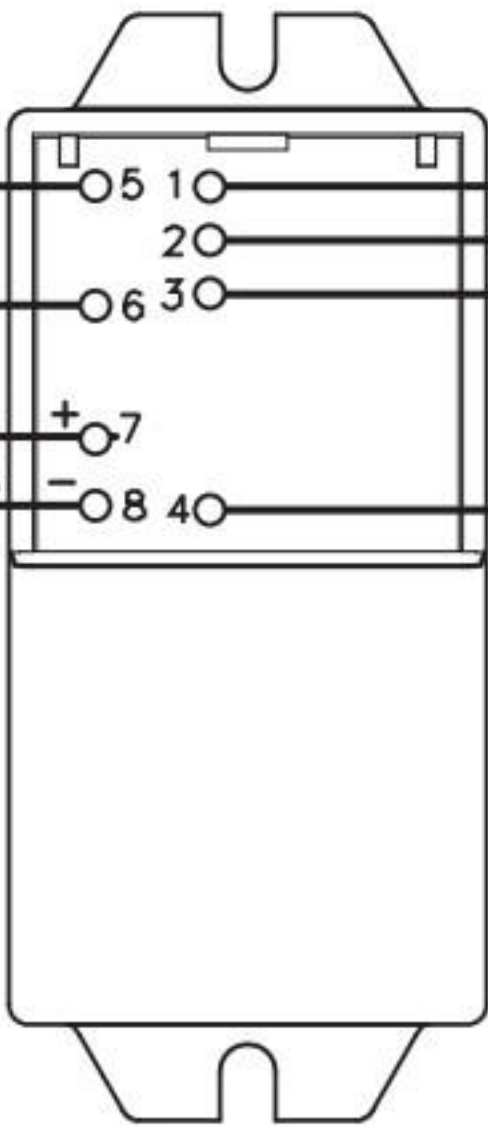
BLU-22GA

TEMP
SENSOR

WHT-22GA



LED 5mm - RED 1.8Vdc
or
LED 5mm - GREEN 1.9Vdc



CONTROL MODULE, UPM 220V

FEMALE IF CONNECTOR
110-120Vac



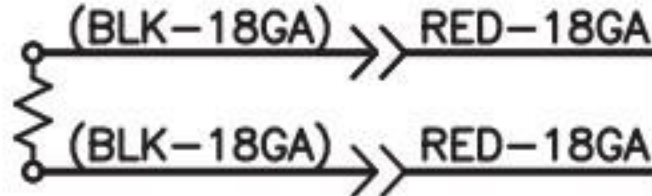
WHT-18GA

BLK-18GA

GRN-18GA

CHASSIS GROUND

WARMER ELEMENT
120Vac-75W



BLK-18GA

WHT-18GA

STP ORG-22GA

BLU-22GA

WHT-28GA

WHT-28GA

TEMP SENSOR



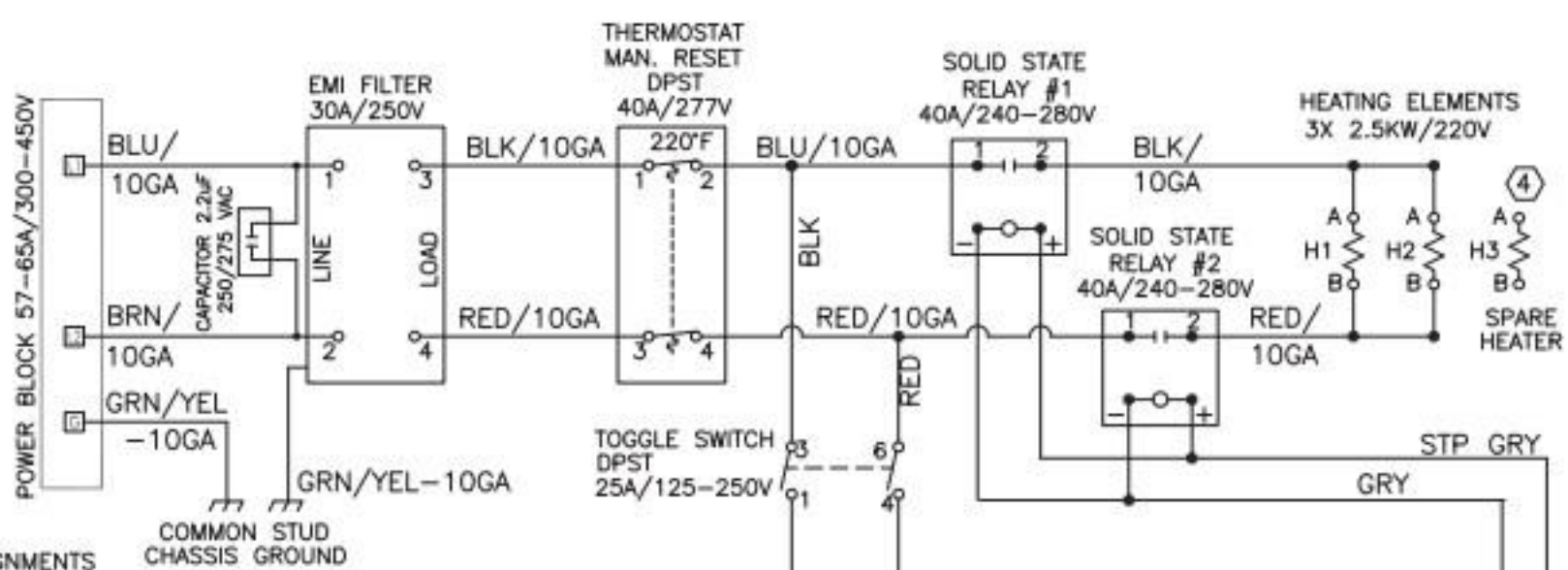
LED 5mm - RED 1.8Vdc
or
LED 5mm - GREEN 1.9Vdc

CONTROL MODULE
UPM 120V

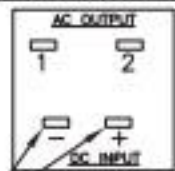
Pin Assignments

1	120V HOT
2	120V NEUTRAL

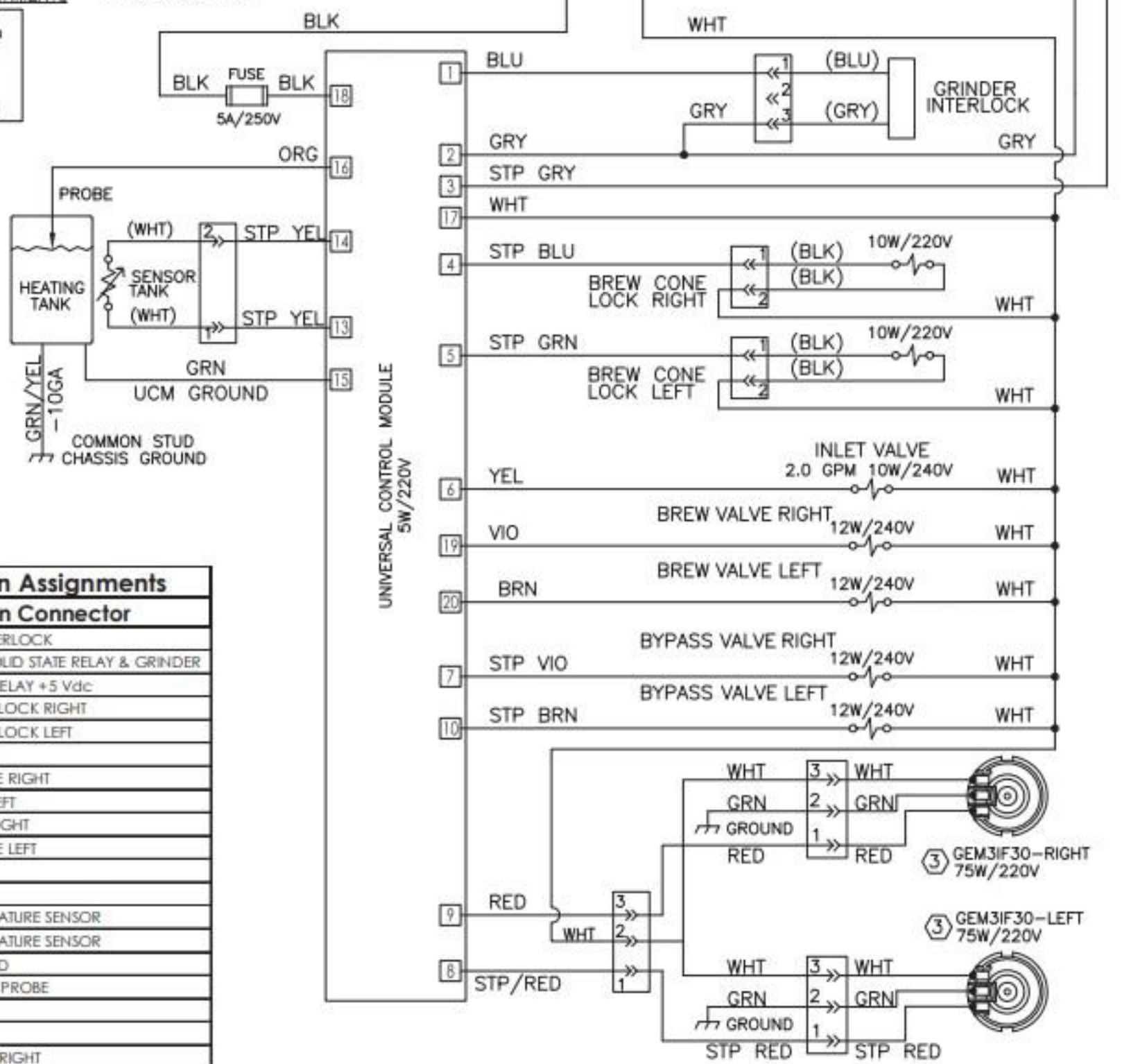
INCOMING POWER
220-240V_{ac} 1PH
2W+G 50/60 Hz



SSR PIN ASSIGNMENTS



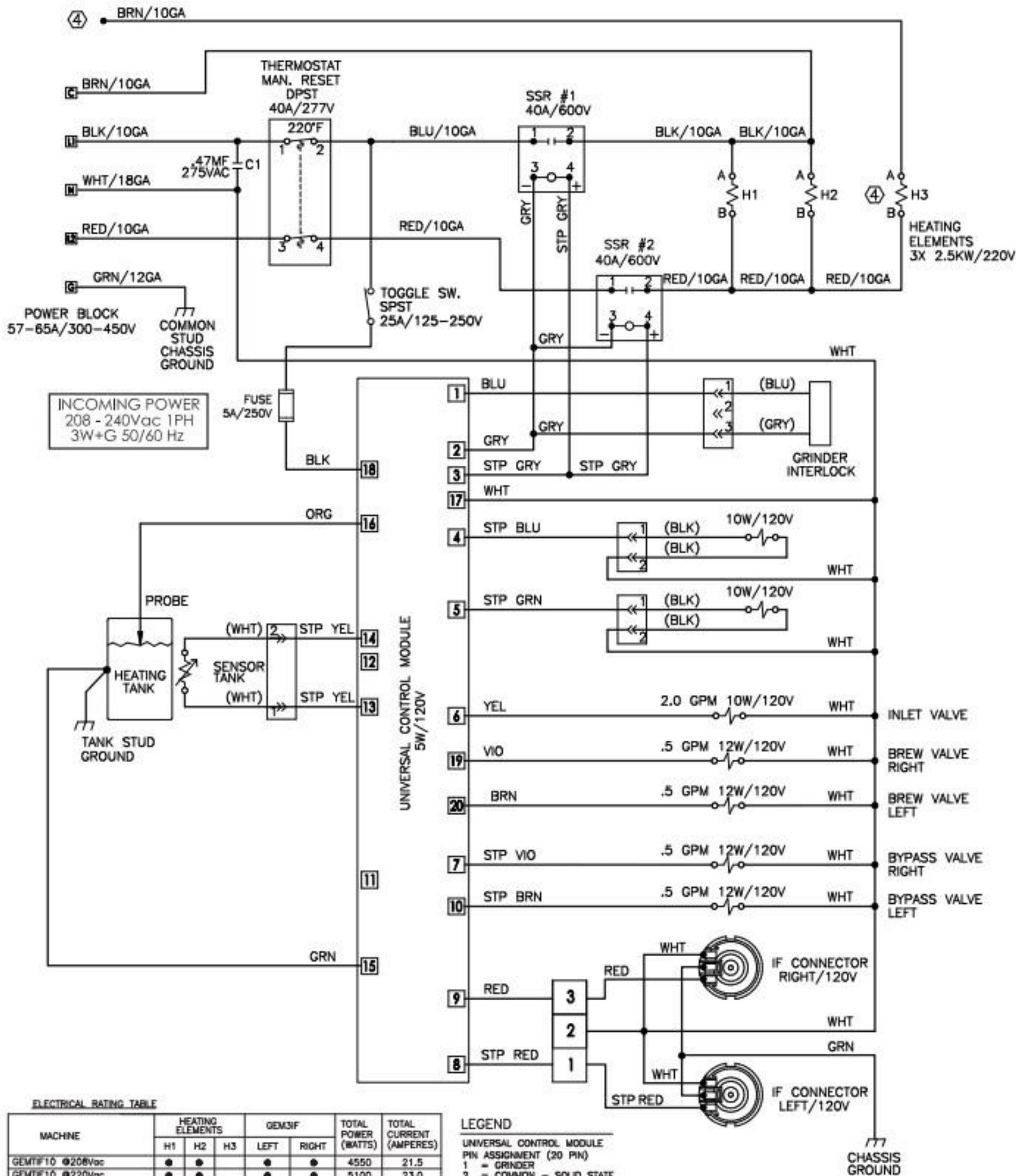
USE .187
TERMINAL LUG



UCM Pin Assignments

20 Pin Connector

1	GRINDER INTERLOCK
2	COMMON-SOLID STATE RELAY & GRINDER
3	SOLID STATE RELAY +5 Vdc
4	BREW CONE LOCK RIGHT
5	BREW CONE LOCK LEFT
6	INLET VALVE
7	BYPASS VALVE RIGHT
8	IF WARMER LEFT
9	IF WARMER RIGHT
10	BYPASS VALVE LEFT
11	NOT USED
12	NOT USED
13	TANK TEMPERATURE SENSOR
14	TANK TEMPERATURE SENSOR
15	UCM GROUND
16	WATER LEVEL PROBE
17	220-240V L2
18	220-240V L1
19	BREW VALVE RIGHT
20	BREW VALVE LEFT



ELECTRICAL RATING TABLE

MACHINE	HEATING ELEMENTS			GEMSF		TOTAL POWER (WATTS)	TOTAL CURRENT (AMPERES)
	H1	H2	H3	LEFT	RIGHT		
GEMTF10 @208Vac	●	●	●	●	●	4550	21.5
GEMTF10 @220Vac	●	●	●	●	●	5100	23.0

LEGEND

UNIVERSAL CONTROL MODULE
PIN ASSIGNMENT (20 PIN)
1 = GRINDER
2 = COMMON - SOLID STATE

CHASSIS GROUND

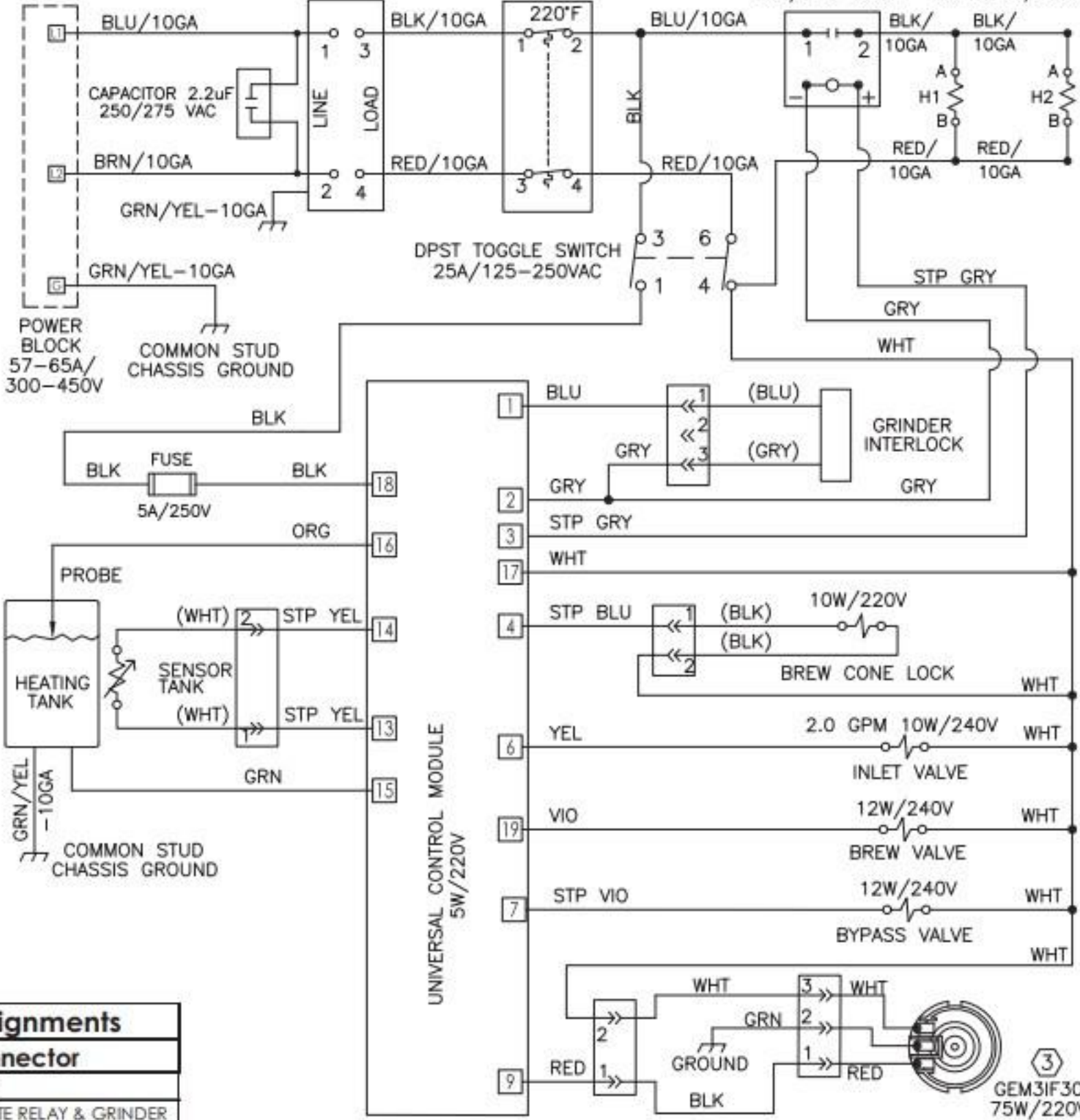
INCOMING POWER
 220-240Vac 1PH
 2W+G 50/60 Hz

EMI FILTER
 30A/250V

THERMOSTAT
 MAN. RESET
 DPST
 40A/277V

SOLID STATE RELAY
 40A/240-280V

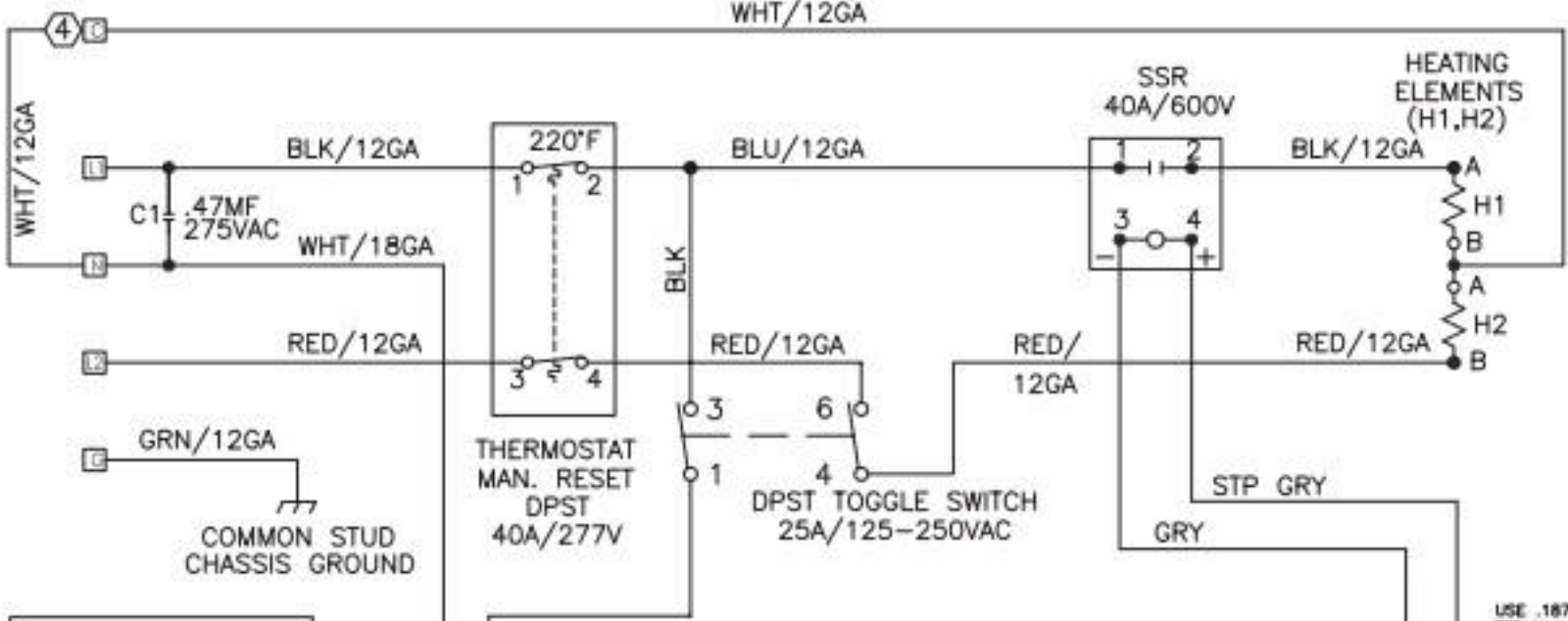
HEATING ELEMENTS
 2X-2.0KW/220V



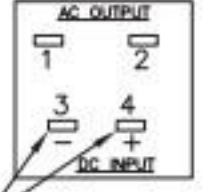
Designations
Connector
K
ATE RELAY & GRINDER

GEM31F30
 75W/220V

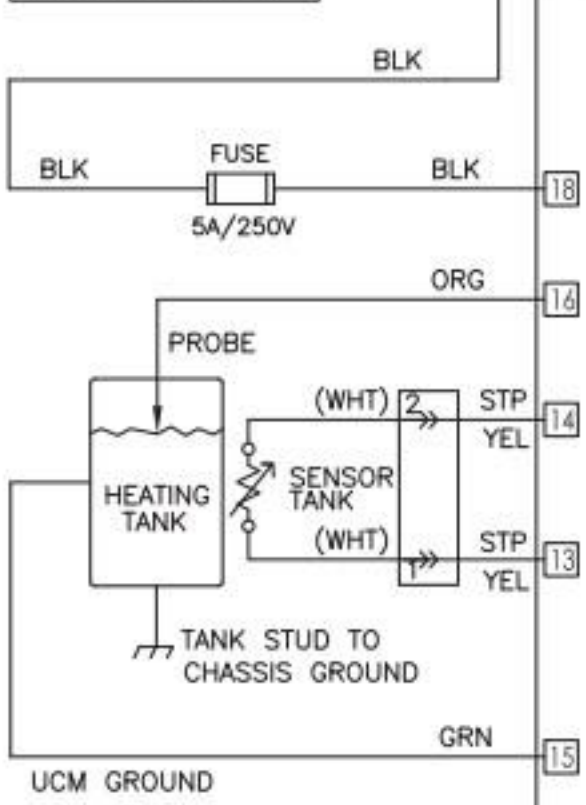
POWER BLOCK
57-65A/300-450V



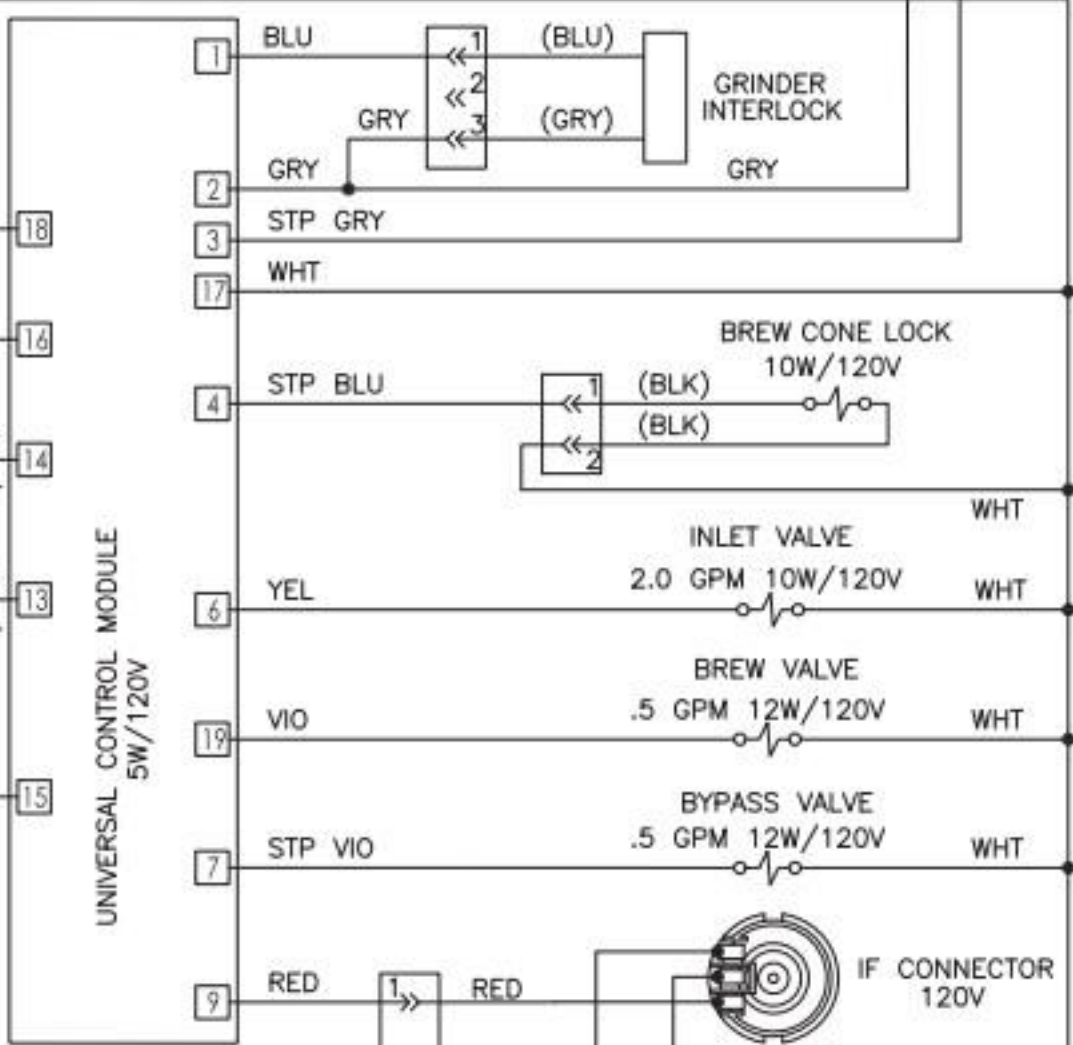
SSR PIN ASSIGNMENTS



INCOMING POWER
120/208 - 240VAC 1PH
2W/3W+G 50/60 Hz



WHT



STD UCM LEGEND

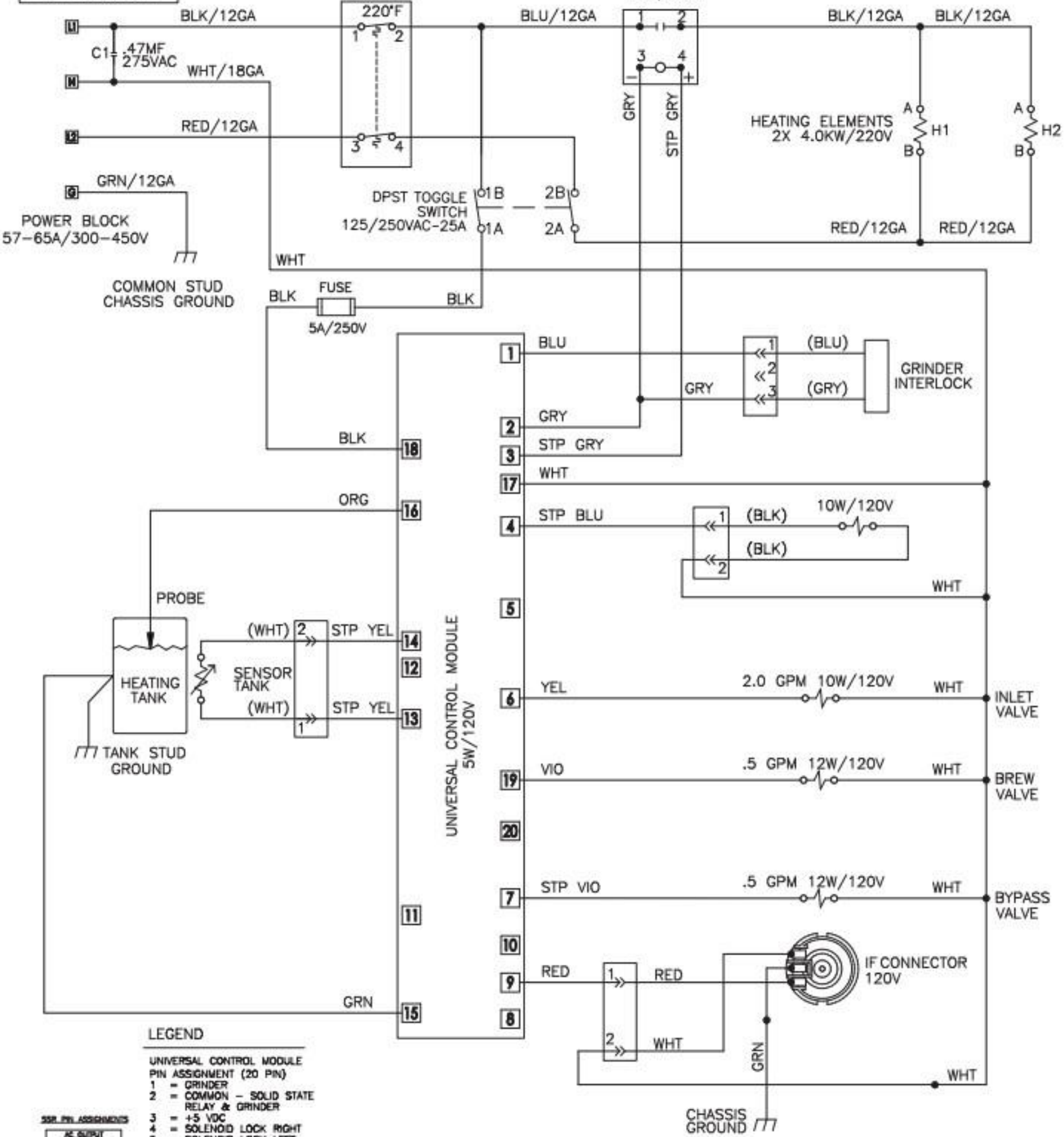
UNIVERSAL CONTROL MODULE PIN ASSIGNMENT (20 PIN)

- = GRINDER
- = COMMON - SOLID STATE RELAY & GRINDER
- 11 = N/C
- 12 = N/C
- 13 = SENSOR TANK

INCOMING POWER
208 - 240Vac 1PH
3W+G 50/60 Hz

THERMOSTAT
MAN. RESET
DPST
40A/277V

SSR
40A/600V



LEGEND

UNIVERSAL CONTROL MODULE
PIN ASSIGNMENT (20 PIN)

- 1 = GRINDER
- 2 = COMMON - SOLID STATE RELAY & GRINDER
- 3 = +5 VDC
- 4 = SOLENOID LOCK RIGHT
- 5 = SOLENOID LOCK LEFT

SSR PIN ASSIGNMENTS

AC INPUT