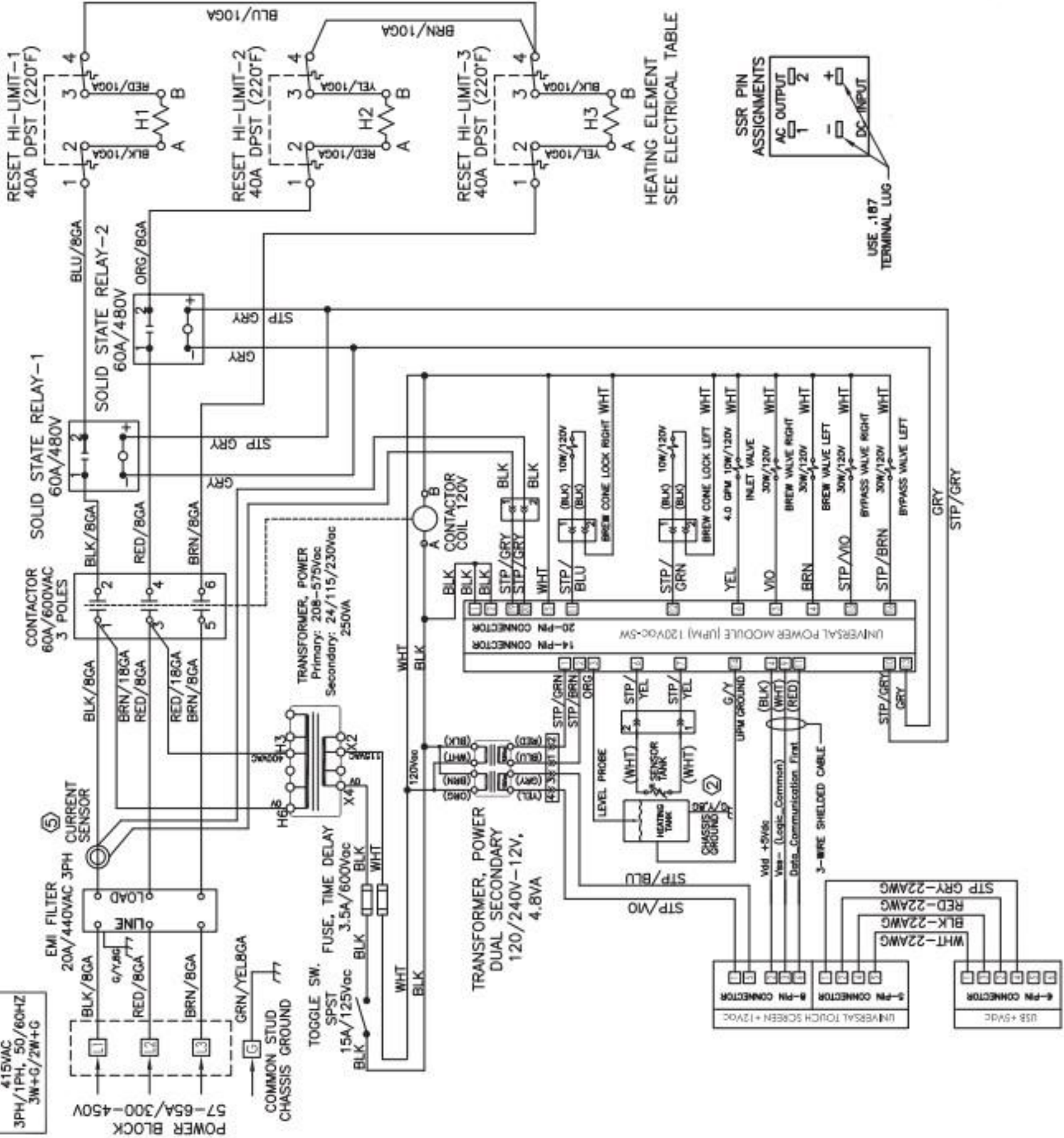
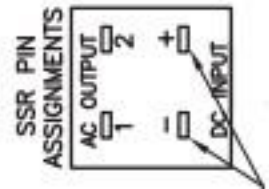


POWER SUPPLY
415VAC
3PH/1PH, 50/60HZ
3W+G/2W+G

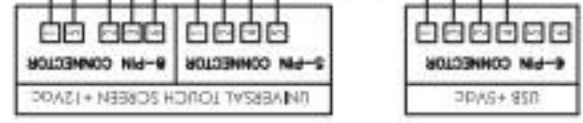
POWER BLOCK
57-65A/300-450V



HEATING ELEMENT
SEE ELECTRICAL TABLE



USE .187
TERMINAL LUG



TRANSFORMER, POWER DUAL SECONDARY
120/240V-12V,
4.8VA

TRANSFORMER, POWER
Primary: 208-575Vac
Secondary: 24/115/230Vac
250VA

SOLID STATE RELAY-1
60A/480V

SOLID STATE RELAY-2
60A/480V

RESET HI-LIMIT-2
40A DPST (220°F)

RESET HI-LIMIT-3
40A DPST (220°F)

RESET HI-LIMIT-1
40A DPST (220°F)

GRY
STP/GRY

STP/BRN
30W/120V
WHT

STP/VIO
30W/120V
WHT

BRN
30W/120V
WHT

VIO
30W/120V
WHT

YEL
4.0 gpm 10W/120V
WHT

STP/GRN
10W/120V
WHT

STP/BLU
10W/120V
WHT

BLK
BREW COME LOCK RIGHT
WHT

BLK
BREW COME LOCK LEFT
WHT

BLK
INLET VALVE
WHT

BLK
BREW VALVE RIGHT
WHT

BLK
BREW VALVE LEFT
WHT

BLK
BYPASS VALVE RIGHT
WHT

BLK
BYPASS VALVE LEFT
WHT

GRY
STP/GRY

GRY
STP/GRY

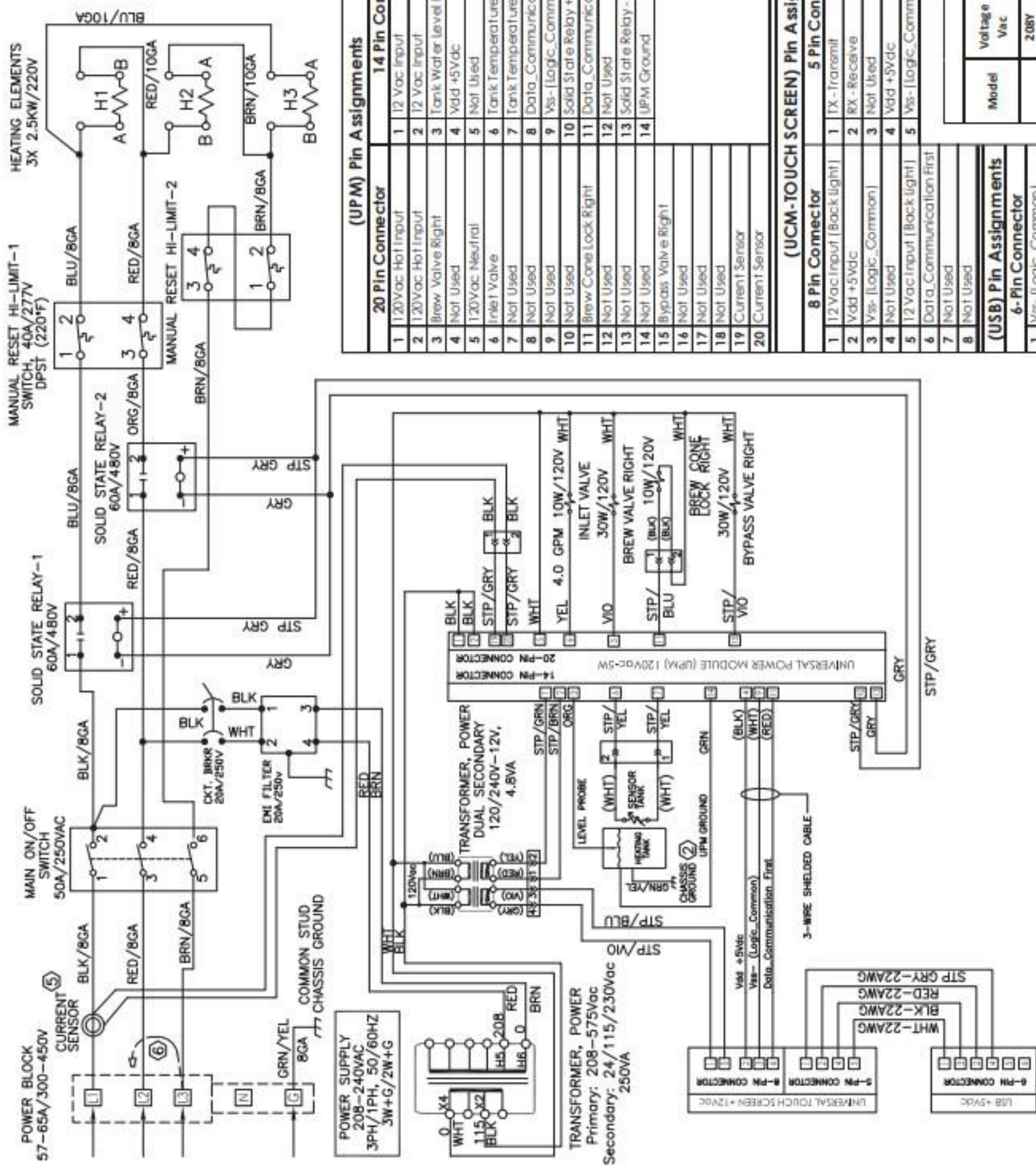
GRY
STP/GRY

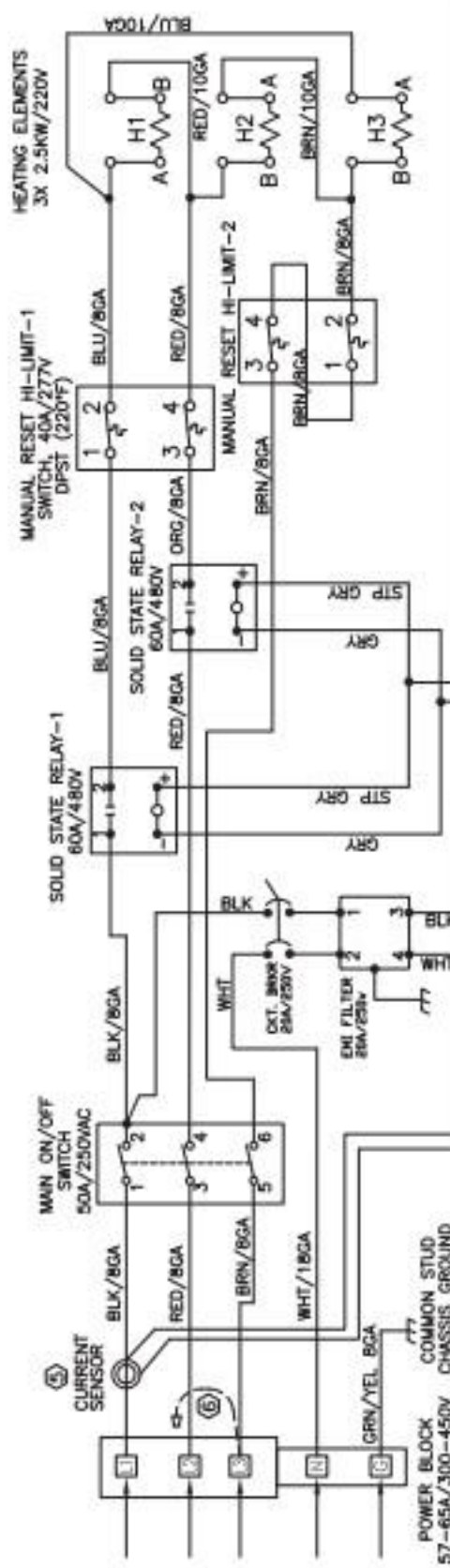
GRY
STP/GRY

GRY
STP/GRY

GRY
STP/GRY

GRY
STP/GRY



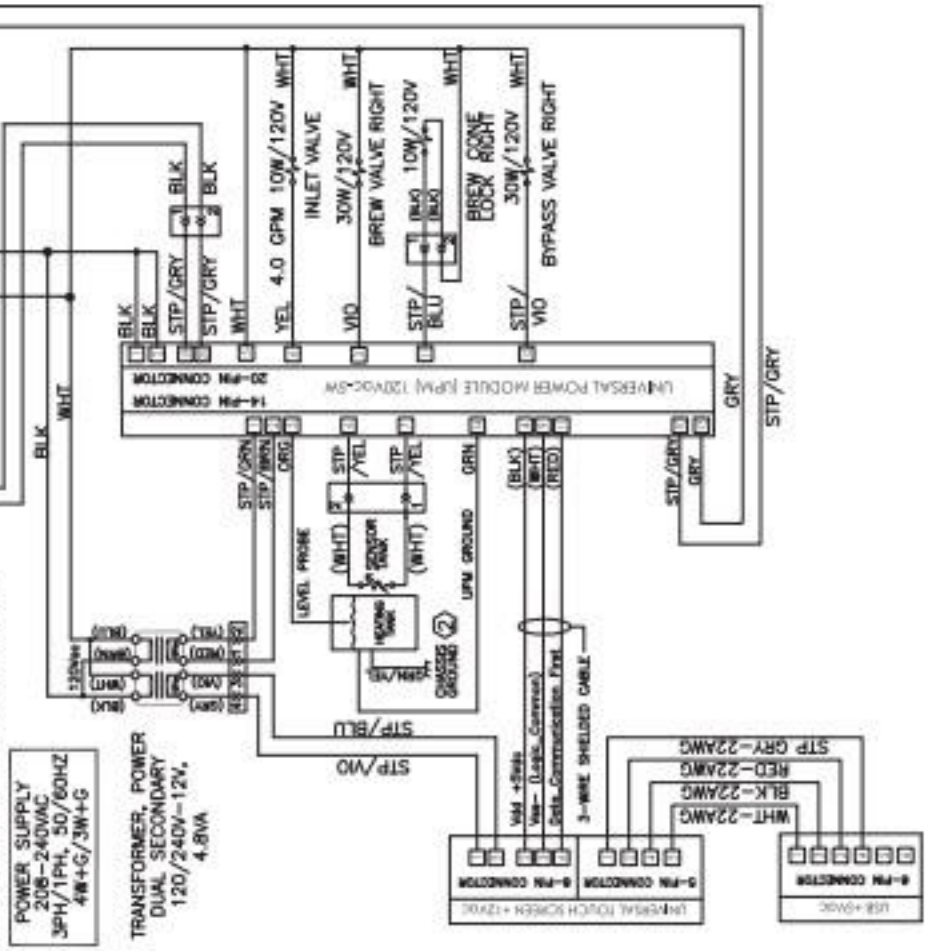


(UPM) Pin Assignments

20 Pin Connector		14 Pin Connector	
1	120Vac Hot Input	1	12 Vac Input
2	120Vac Hot Input	2	12 Vac Input
3	Brew Valve Right	3	Tank Water Level Probe
4	Not Used	4	Vdd +5Vdc
5	120Vac Neutral	5	Not Used
6	Inlet Valve	6	Tank Temperature Sensor
7	Not Used	7	Tank Temperature Sensor
8	Not Used	8	Data, Communication Next1 (Not Used)
9	Not Used	9	Vs- (Logic, Common)
10	Not Used	10	Solid State Relay +5Vdc
11	Brew Cone Lock Right	11	Data, Communication First
12	Not Used	12	Not Used
13	Not Used	13	Solid State Relay - Common
14	Not Used	14	(UPM) Ground
15	Bypass Valve Right		
16	Not Used		
17	Not Used		
18	Not Used		
19	Current Sensor		
20	Current Sensor		

(UCM-TOUCH SCREEN) Pin Assignments

8 Pin Connector		5 Pin Connector	
1	12 Vac Input (Back Light)	1	TX - Transmit
2	Vdd +5Vdc	2	RX - Receive
3	Vs- (Logic, Common)	3	Not Used
4	Not Used	4	Vdd +5Vdc
5	12 Vac Input (Back Light)	5	Vs- (Logic, Common)
6	Data, Communication First		
7	Not Used		
8	Not Used		



ELECTRICAL RATING TABLE

Model	Voltage Vac	Amps A	Watts W	Hertz Hz	# of Conductors	Phase	# of Tank Elements	Tank Element Rating

(USB) Pin Assignments

4-Pin Connector	
1	Vdd +5Vdc
2	Vs- (Logic, Common)
3	Data, Communication First
4	Not Used