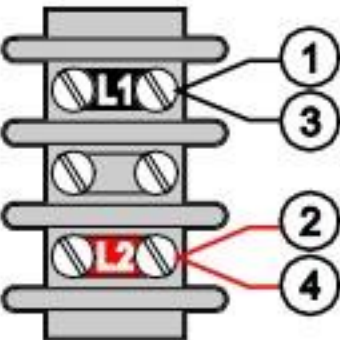
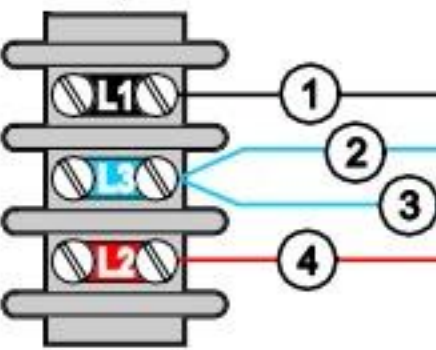


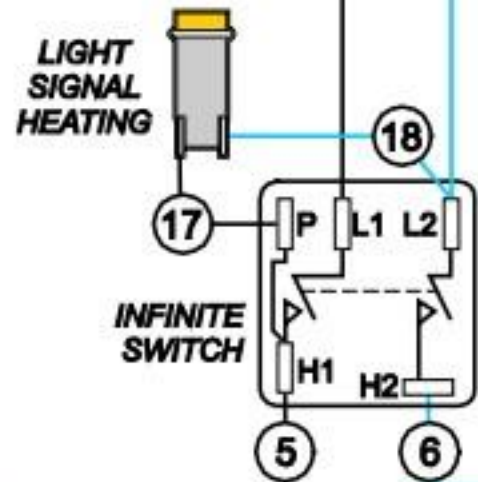
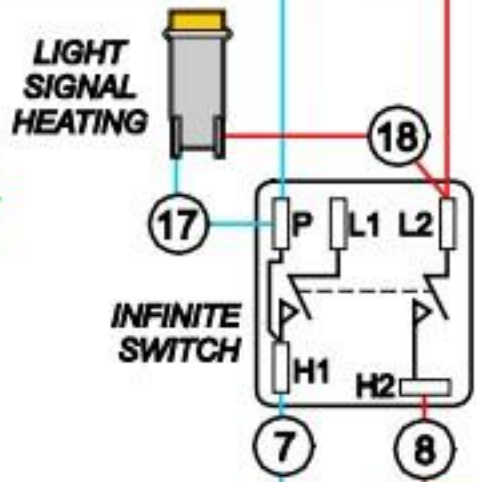
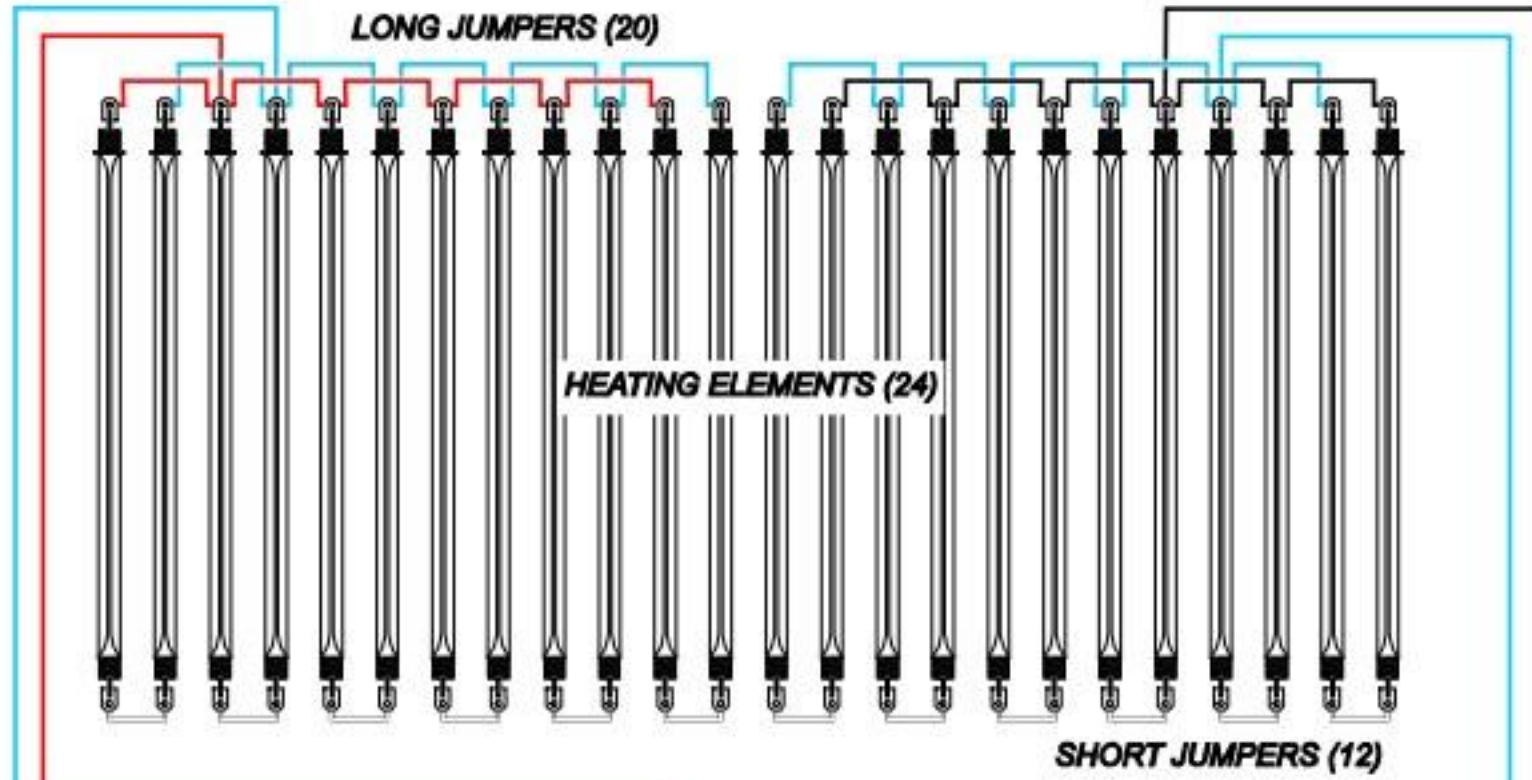
TERMINAL BLOCK 1φ
1φ



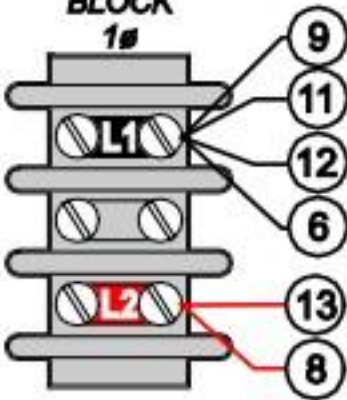
TERMINAL BLOCK 3φ
3φ



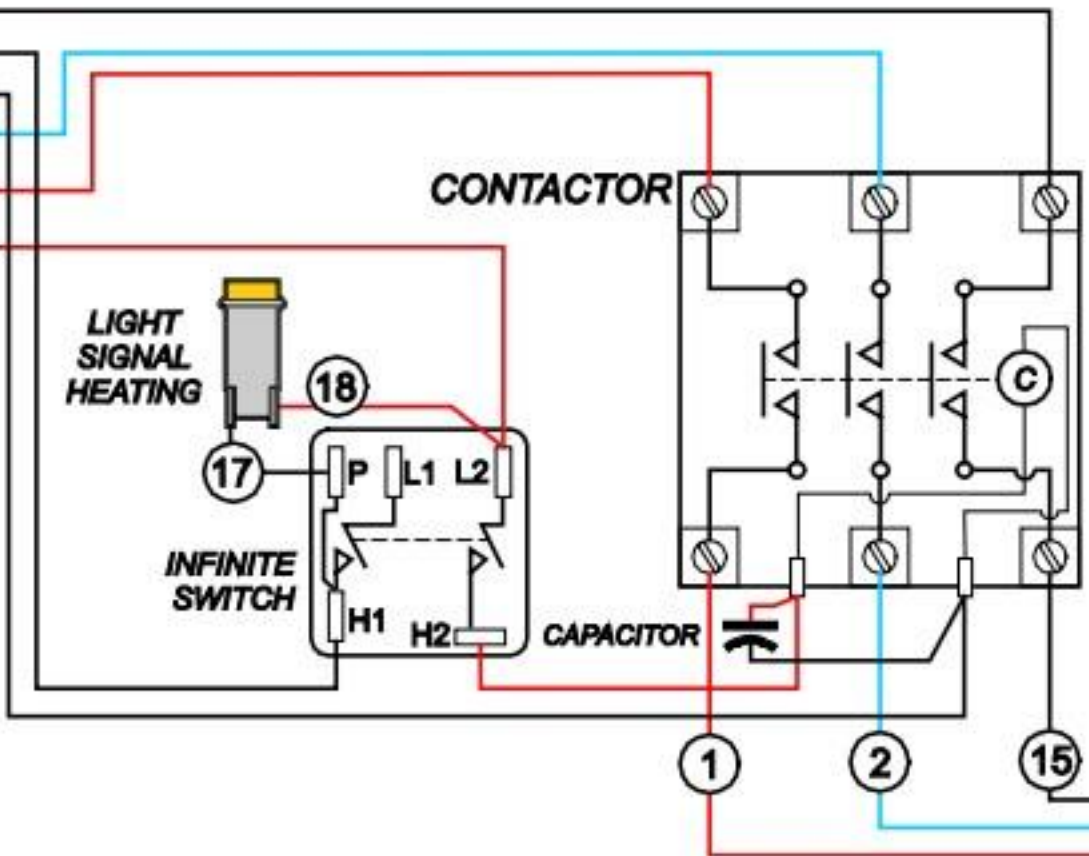
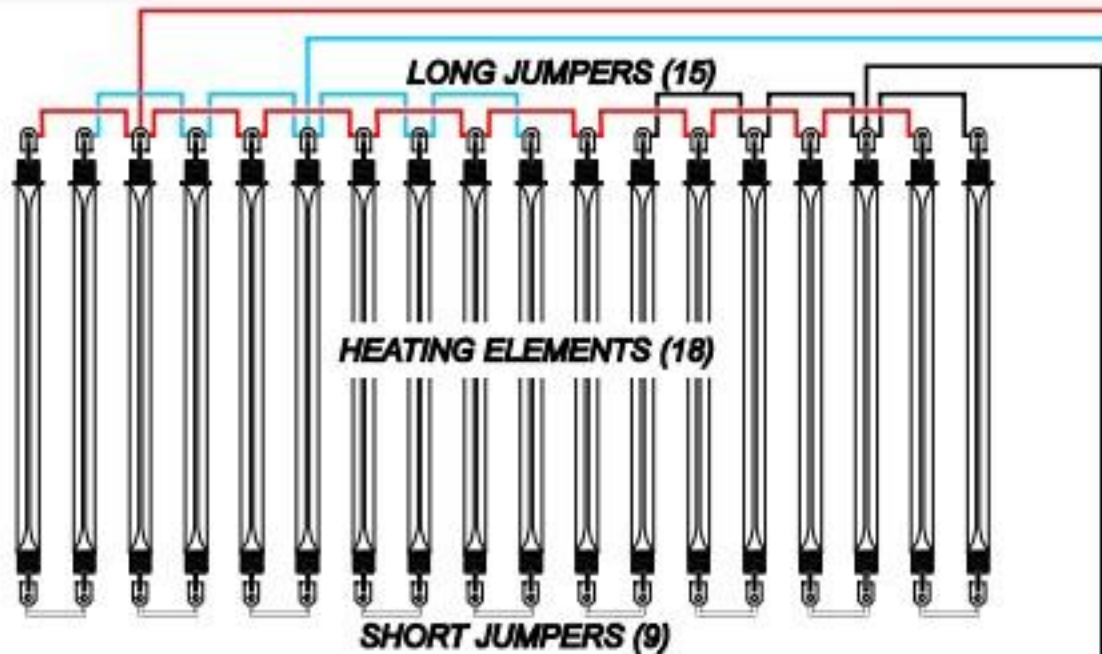
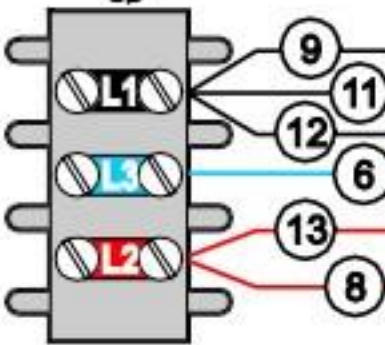
LONG JUMPERS (20)

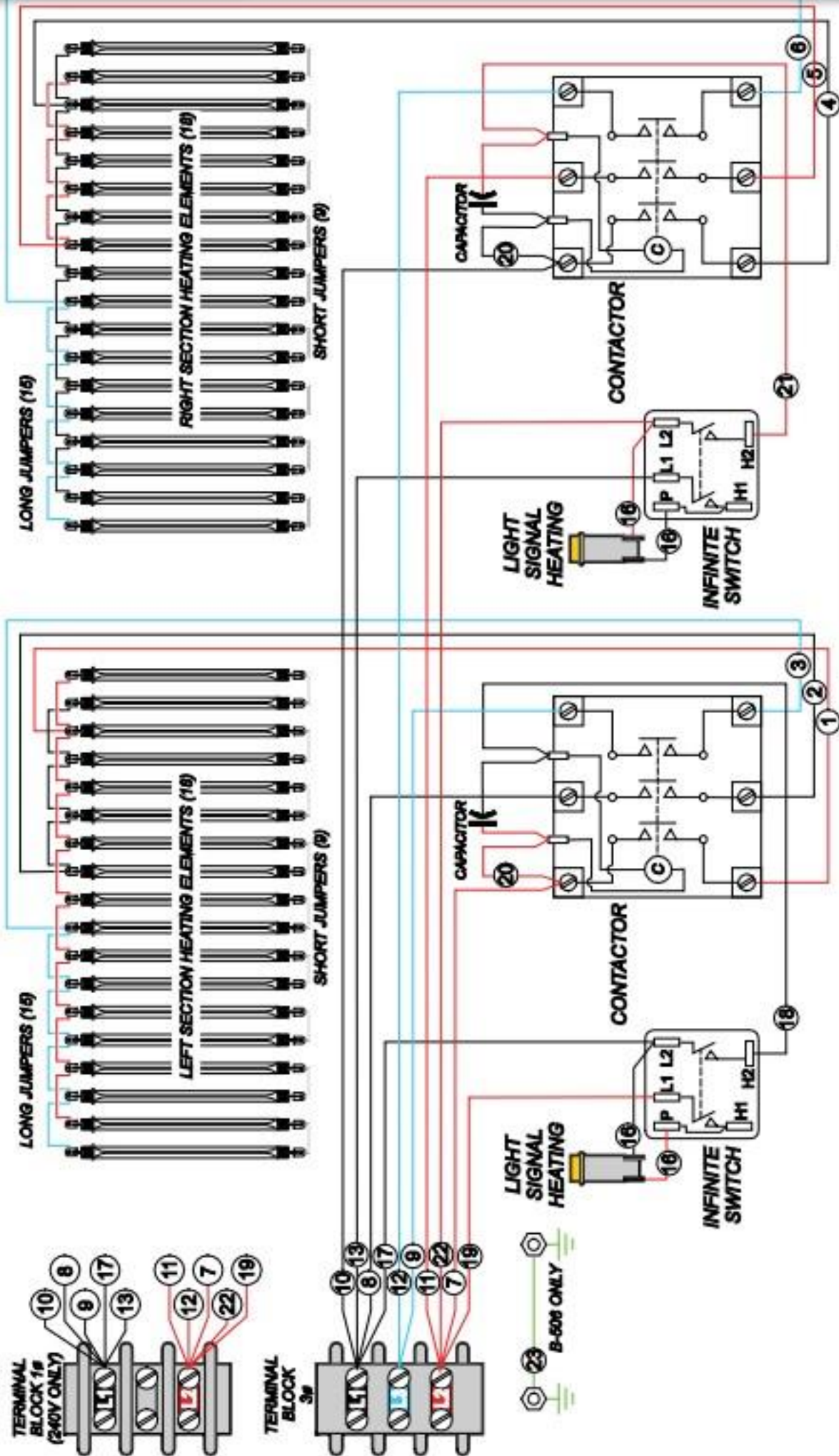


TERMINAL BLOCK 1#



TERMINAL BLOCK 3#





RIGHT FRONT



LEFT FRONT

