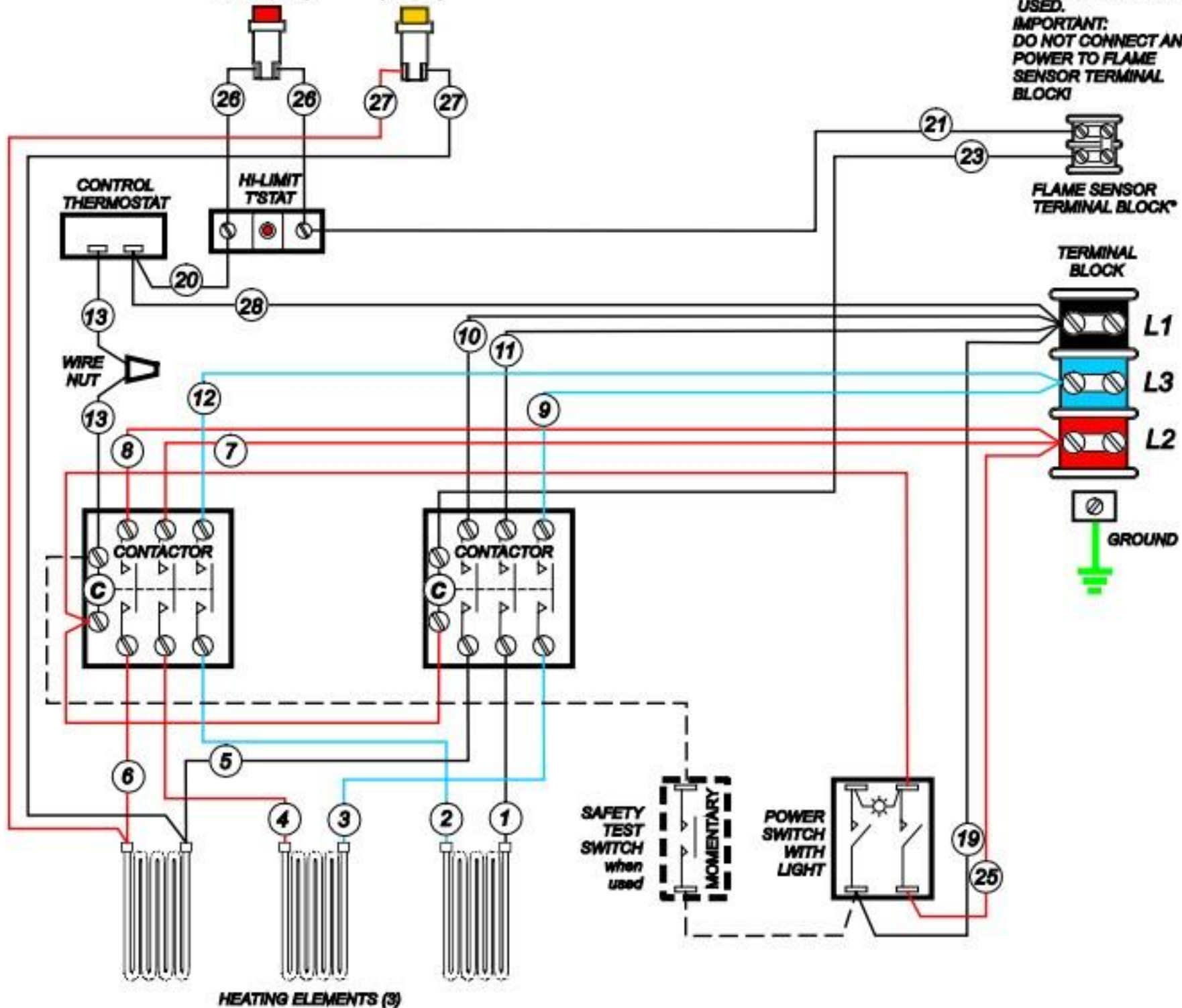
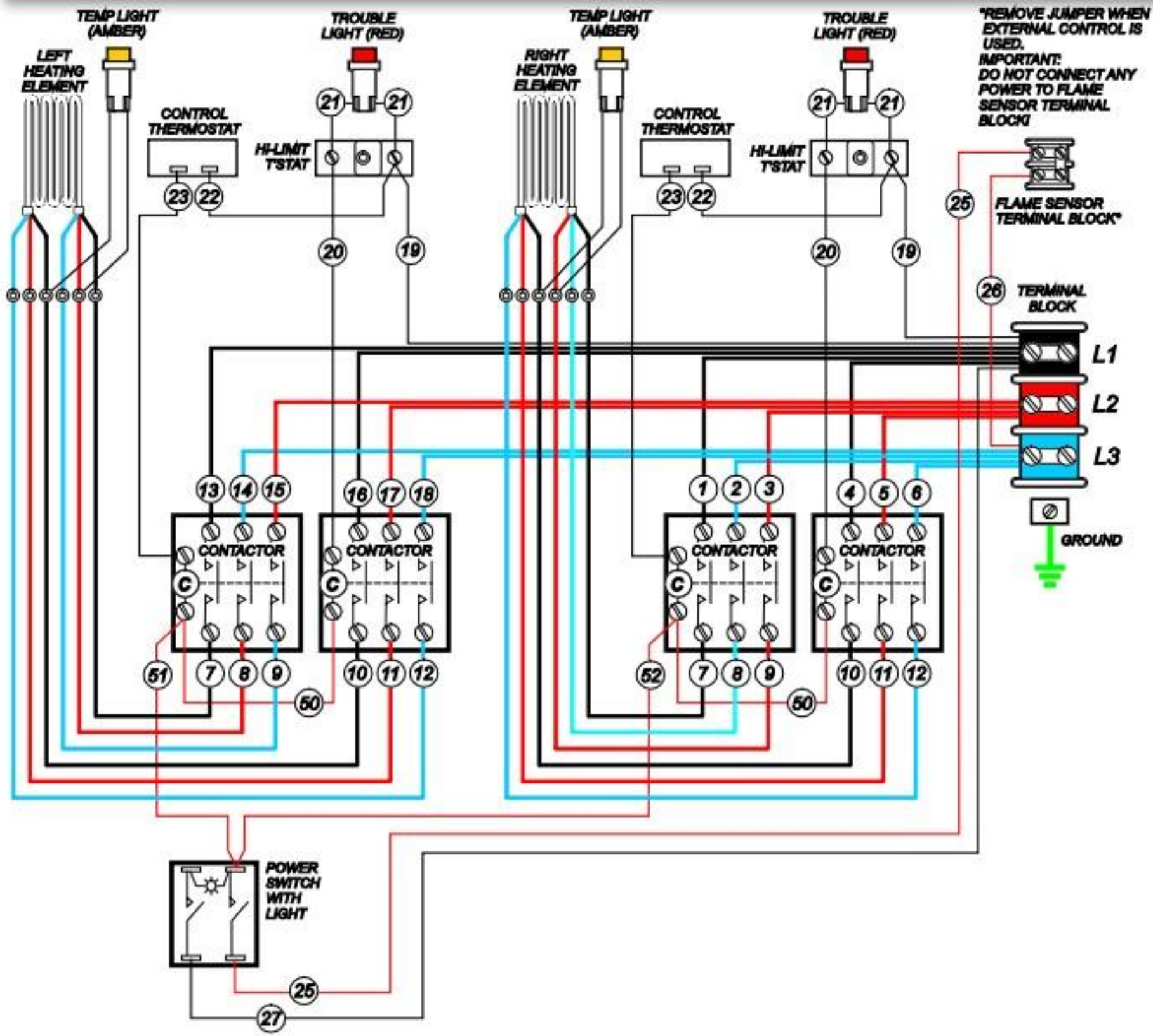


TROUBLE LIGHT (RED)  
TEMP LIGHT (AMBER)

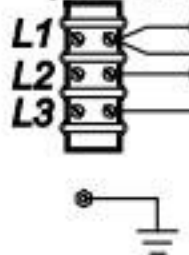
**\*REMOVE JUMPER WHEN EXTERNAL CONTROL IS USED.  
IMPORTANT:  
DO NOT CONNECT ANY POWER TO FLAME SENSOR TERMINAL BLOCK!**



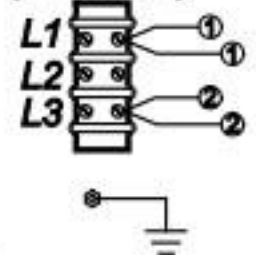


REMOVE JUMPER WHEN EXTERNAL CONTROL IS USED.  
**IMPORTANT: DO NOT CONNECT ANY POWER TO FLAME SENSOR TERMINAL BLOCK**

**TERMINAL BLOCK (3 PHASE)**



**TERMINAL BLOCK (1 PHASE)**



**CONTROL THERMOSTAT**

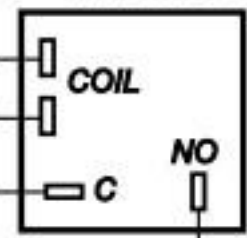
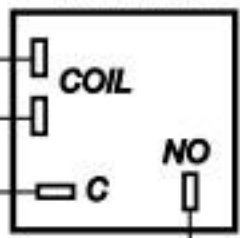
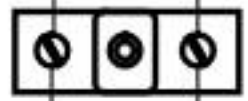
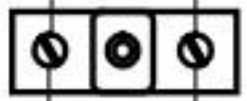
**CONTROL THERMOSTAT**

**HI-LIMIT THERMO**

**HI-LIMIT THERMO**

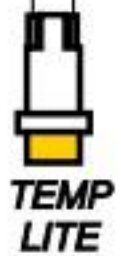
**RELAY HI-LIMIT THERMO**

**RELAY HI-LIMIT THERMO**



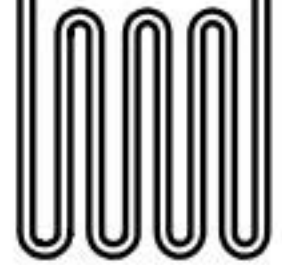
**WIRE NUT**

**WIRE NUT**



**HEATING ELEMENT**

**HEATING ELEMENT**



**FRYER F-67 and F-676**

VOLTS (50/60 HZ)		AMPS 1 PHASE	
208/240V	208	33.2	
	240	38.3	
208		44.2	

VOLTS (50/60 HZ)	AMPS 3 PHASE		
	L1	L2	L3
208/208	28.8	16.6	16.6

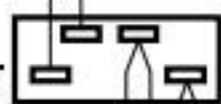
**TERMINAL BLOCK**



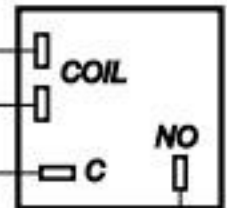
**REMOVE JUMPER WHEN EXTERNAL CONTROL USED**  
**IMPORTANT:**  
**DO NOT CONNECT ANY POWER TO FLAME SENSOR TERMINAL BLOCK**

**TERMINAL BLOCK  
FLAME SENSOR**

**CONTROL  
THERMOSTAT**



**RELAY  
HI-LIMIT  
THERMO**



**HI-LIMIT  
THERMO**



**SIGNAL  
LITE**



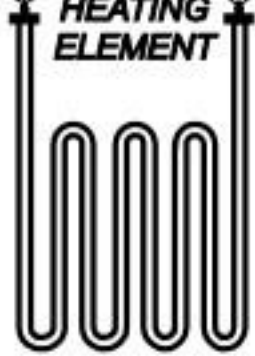
**WIRE NUT**

**WIRE NUT**

**TEMP  
LITE**



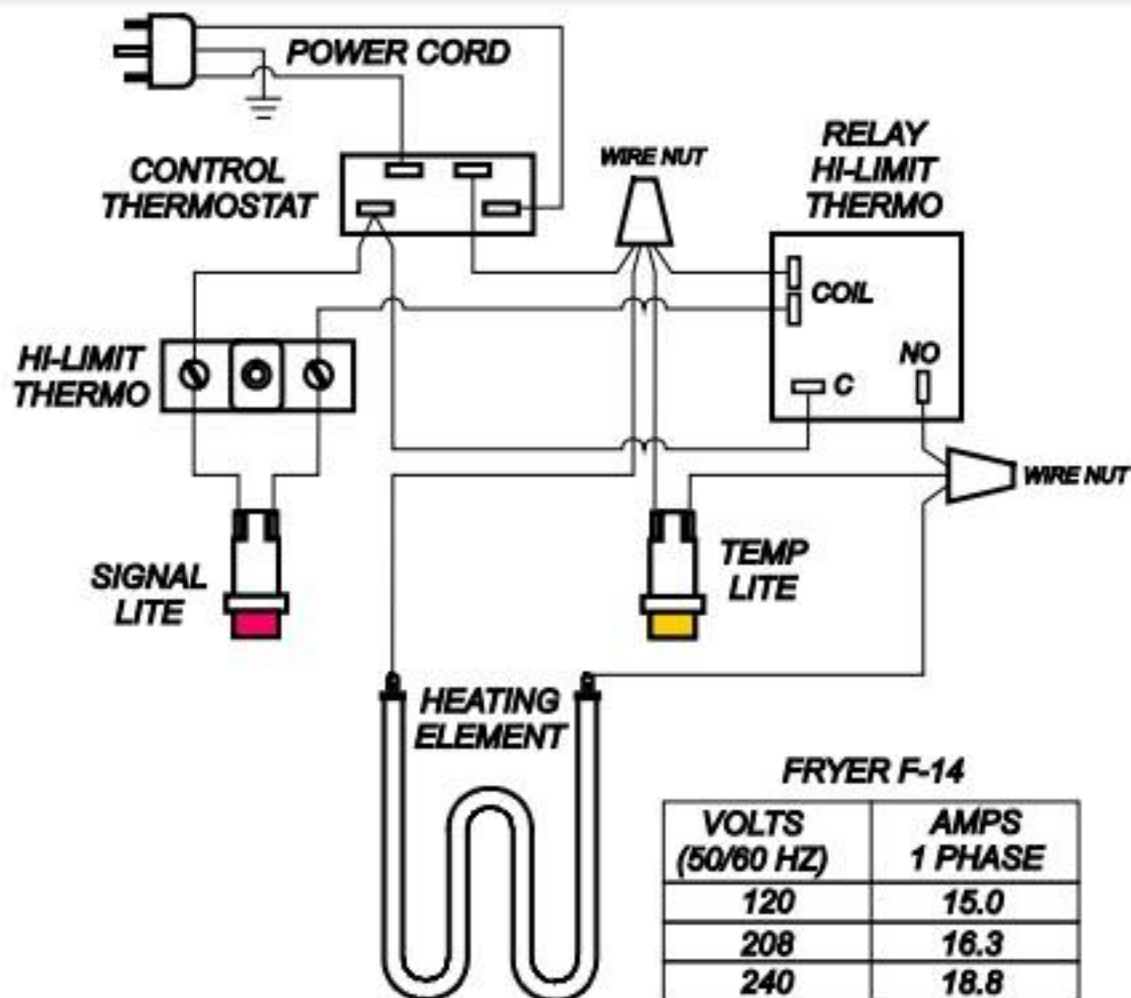
**HEATING  
ELEMENT**



**FRYER F-55 and F-556**

<b>VOLTS (50/60 HZ)</b>	<b>AMPS 1 PHASE</b>
208	27.6
240	24.0





**WIRING DIAGRAM F-14**

*p/n 307306*

