



**WELLS MANUFACTURING**

265 Hobson Street Smithville, Tennessee 37166 U.S.A.  
telephone: 314-781-2777  
fax: 314-781-2714  
[www.wells-mfg.com](http://www.wells-mfg.com)

004

**OWNER'S MANUAL**

**WELLS  
COUNTERTOP FOOD  
WARMERS & SOUP  
COOKERS**

**MODELS  
DELUXE  
SC-7  
SC-11**

*Deluxe Package  
Soup Cooker with  
Accessories*



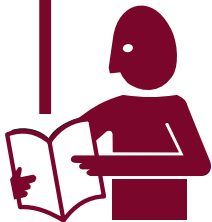
*SC-7 Soup Cooker*

**Includes  
INSTALLATION  
USE & CARE  
EXPLODED VIEW  
PARTS LIST  
WIRING DIAGRAM**

**IMPORTANT: DO NOT DISCARD THIS MANUAL**

This manual is considered to be part of the appliance and is to be given to the OWNER or MANAGER of the restaurant, or to the person responsible for TRAINING OPERATORS of this appliance. Additional manuals are available from your WELLS DEALER.

**THIS MANUAL MUST BE READ AND UNDERSTOOD BY ALL PERSONS USING OR INSTALLING THIS APPLIANCE.** Contact your WELLS DEALER if you have any questions concerning installation, operation or maintenance of this equipment.



PRINTED IN UNITED STATES OF AMERICA

## LIMITED EQUIPMENT WARRANTY

Wells Manufacturing warranties new products to be free from defects in material and/or workmanship for a period of one [1] year from the date of original installation, except as noted below. Defects that occur as a result of normal use, within the time period and limitations defined in this warranty, will at Wells' discretion have the parts replaced or repaired by Wells or a Wells-authorized service agency.

### THIS WARRANTY IS SUBJECT TO ALL LISTED CONDITIONS.

Repairs performed under this warranty are to be performed by a Wells-authorized service agency. Wells will not be responsible for charges incurred or service performed by non-authorized repair agencies.

In all cases, the nearest Wells-authorized service agency must be used.

Wells will be responsible for normal labor charges incurred in the repair or replacement of a warrantied product within 50 miles (80.5 km) of an authorized service agency. Time and expense charges for anything beyond that distance will be the responsibility of the owner. All labor will need to be performed during regular service hours. Any overtime premium will be charged to the owner. For all shipments outside the U.S.A. and Canada, please see the International Warranty for specific details.

It is the responsibility of the owner to inspect and report any shipping damage claims, hidden or otherwise, promptly following delivery.

No mileage or travel charges will be honored on any equipment that is deemed portable. In general, equipment with a cord and plug weighing less than 50 lb. (22.7 kg) is considered portable and should be taken or shipped to the closest authorized service agency, transportation prepaid.

### CONTACT

Should you require any assistance regarding the operation or maintenance of any Wells equipment; write, phone, fax or email our service department. In all correspondence mention the model number and the serial number of your unit, as well as the voltage or type of gas you are using.

Business hours are 8:00 a.m. to 4:30 p.m. Central Standard Time  
 Telephone 314.678.6314  
 Fax 314.781.2714  
 Email customerservice@star-mfg.com  
 www.wells-mfg.com

## WARRANTY EXCLUSIONS

THE FOLLOWING WILL NOT BE COVERED UNDER WARRANTY.

- Any product which has not been installed, cleaned, maintained, or used in accordance with the directions published in the appropriate installation sheet and/or owner's manual as well as national and local codes, including incorrect gas or electrical connection. Wells is not liable for any unit which has been mishandled, abused, misapplied, subjected to chlorides, harsh chemicals, or caustic cleaners, damaged from exposure to hard water, modified by unauthorized personnel, damaged by flood, fire, or other acts of nature [or God], or which have an altered or missing serial number.
- Installation, labor, and job checkouts, calibration of heat controls, air and gas burner/bypass/pilot adjustments, gas or electrical system checks, voltage and phase conversions, cleaning of equipment, or seasoning of griddle surface.
- Replacement of fuses or resetting of circuit breakers, safety controls, or reset buttons.
- Replacement of broken or damaged glass components, quartz heating elements, and light bulbs.
- Labor charges for all removable parts in gas charbroilers and hotplates, including but not limited to burners, grates, and radiants.
- Any labor charges incurred by delays, waiting time, or operating restrictions that hinder a service technician's ability to perform service.
- Parts that fail or are damaged due to normal wear or labor for replacement of Items that can easily be replaced during a daily cleaning routine. such as but not limited to silicone belts, PTFE non-stick sheets, knobs, control labels, bulbs, fuses, quartz heating elements, baskets, racks, and grease drawers.
- Components that should be replaced when damaged or worn, but have been field-repaired instead [eg. field-welded fry pots].
- Any loss of business or profits.

### ADDITIONAL WARRANTIES

Specialty/chain specific versions may also have additional and/or extended warranties.

PRODUCTS	PARTS	LABOR
universal ventless hoods	2 years	1 year
canopy hoods	2 years	1 year
"Cook'n Hold" equipment [HW10, HWSMP, LLSC7, LLSC7WA, LLSC11, and LLSC11WA]	2 years	1 year
cast iron grates, burners, and burner shields	1 year	
original Wells parts sold to repair Wells equipment	90 days	
Service First	1 year	

## TABLE OF CONTENTS

WARRANTY	
SPECIFICATIONS	1
FEATURES & OPERATING CONTROLS	2
PRECAUTIONS & GENERAL INFORMATION	3
AGENCY LISTING INFORMATION	3
INSTALLATION	4
OPERATION	5
CLEANING INSTRUCTIONS	7
MAINTENANCE INSTRUCTIONS	8
TROUBLESHOOTING SUGGESTIONS	10
EXPLODED VIEW & PARTS LIST	11
PARTS & SERVICE	14
CUSTOMER SERVICE DATA	17

## INTRODUCTION

Thank You for purchasing this Wells Bloomfield appliance.

Proper installation, professional operation and consistent maintenance of this appliance will ensure that it gives you the very best performance and a long, economical service life.

This manual contains the information needed to properly install this appliance, and to use and care for the appliance in a manner which will ensure its optimum performance.

## SPECIFICATIONS

MODEL	DESCRIPTION	VOLTS	WATTS	PHASE	POWER CORD
SC-7	7 QT. ROUND	120	850	1	4' NEMA 5-15P
SC-11	11 QT. ROUND	120	1100	1	4' NEMA 5-15P
DeLuxe Cooker DeLuxe Package	11 QT. ROUND	120	1000	1	4' NEMA 5-15P

## FEATURES & OPERATING CONTROLS



### **WARNING: SHOCK HAZARD**

All servicing requiring access to non-insulated electrical components must be performed by a factory authorized technician. DO NOT open any access panel which requires the use of tools. Failure to follow this warning can result in severe electrical shock.

### **IMPORTANT:**

Temperature adjustment on model 6411S must be performed by a qualified technician.



KNOB FOR Deluxe, SC-7  
and SC-11 SOUP COOKERS

### **A. THERMOSTAT**

1. Soup Cooker and Cook 'N Hold Warmers are thermostatically controlled. Power is applied to the heating element according to the control knob position and the actual temperature at the sensing element.
2. Deluxe, SC-7 and SC-11:  
The desired temperature is controlled by rotating the TEMPERATURE CONTROL KNOB. The knob may have a printed "arrow" which points to specific functions (e.g. COOK, HOLD), or to a graphic scale where "wider" corresponds to higher temperature.
3. 6411S:  
Power is controlled by the front panel ON/OFF SWITCH. Temperature is controlled by a thermostat is factory set for 135°F.  
NOTE:  
The setpoint temperature may be adjusted by removing the button plug on the back of the warmer and turning the temperature control shaft.

## PRECAUTIONS AND GENERAL INFORMATION

This appliance is intended for use in commercial establishments only.

This appliance is intended to hold pre-heated food for human consumption. No other use is recommended or authorized by the manufacturer or its agents.

Operators of this appliance must be familiar with the appliance use, limitations and associated restrictions. Operating instructions must be read and understood by all persons using or installing this appliance.

Cleanliness of this appliance is essential to good sanitation. Read and follow all included cleaning instructions and schedules to ensure the safety of the food product.

Disconnect this appliance from electrical power before performing any maintenance or servicing.

This appliance is not jet stream approved. Do not direct water jet or steam jet at this appliance, or at any control panel or wiring. Do not splash or pour water on, in or over any controls, control panel or wiring.

Exposed surfaces of this appliance can be hot to the touch and may cause burns.

Do not operate this appliance if the control panel is damaged. Call your Authorized Wells Service Agent for service.

The technical content of this manual, including any wiring diagrams, schematics, parts breakdown illustrations and/or adjustment procedures, is intended for use by qualified technical personnel.

Any procedure which requires the use of tools must be performed by a qualified technician.

This manual is considered to be a permanent part of the appliance. This manual and all supplied instructions, diagrams, schematics, parts breakdown illustrations, notices and labels must remain with the appliance if it is sold or moved to another location.

This appliance is made in the USA. Unless otherwise noted, this appliance has American sizes on all hardware.



### WARNING: SHOCK HAZARD

All servicing requiring access to non-insulated electrical components must be performed by a factory authorized technician. DO NOT open any access panel which requires the use of tools. Failure to follow this warning can result in severe electrical shock.



### CAUTION: RISK OF DAMAGE

DO NOT connect or energize this appliance until all installation instructions are read and followed. Damage to the appliance may result if these instructions are not followed.



### CAUTION: HOT SURFACE

Exposed surfaces can be hot to the touch and may cause burns.

## AGENCY LISTING INFORMATION

Refer to the *product nameplate* for the specific appliance for agency listings. In general:

This appliance conforms to NSF Standard 4 for sanitation only if installed in accordance with the supplied *Installation Instructions*.

UL Listed warmers are  Listed under UL File E6070.



STD 4



E6070

UL Listed Warmers

## INSTALLATION

**NOTE:** DO NOT discard the carton or other packing materials until you have inspected the appliance for hidden damage and tested it for proper operation.

Refer to *SHIPPING DAMAGE CLAIM PROCEDURE* on the inside front cover of this manual.



### **WARNING: RISK OF INJURY**

Installation procedures must be performed by a qualified technician with full knowledge of all applicable electrical and plumbing codes. Failure can result in personal injury and property damage.



### **CAUTION FIRE HAZARD**

Avoid storing flammable or combustible materials in, on or near the appliance.



### **CAUTION SHOCK HAZARD**

The ground prong of the electrical cord is part of a system designed to protect you from electrical shock. In the event of internal damage to the warmer. **NEVER CUT OFF THE GROUND PRONG (large round prong). NEVER TWIST AND ELECTRICAL PRONG TO FIT AN EXISTING RECEPTACLE.** Install an electrical circuit and/or receptacle appropriate to the voltage/amperage requirements of the appliance.

**IMPORTANT:** Damage due to being plugged into wrong voltage is NOT covered by warranty.

## UNPACKING & INSPECTION

Carefully remove the appliance from the carton. Remove all protective plastic film, packing materials and accessories from the Appliance before connecting electrical power or otherwise performing any installation procedure.

Carefully read all instructions in this manual and the *Installation Instruction Sheet* packed with the appliance before starting any installation.

Read and understand all labels and diagrams attached to the appliance.

Carefully account for all components and accessories before discarding packing materials. Store all accessories in a convenient place for later use.

## SET-UP NOTES

1. Setup the appliance only on a firm, level, non-combustible surface. Verify local codes for requirements. Concrete, tile, terrazzo or metal surfaces are recommended. Metal over combustible material may not meet code for non-combustible surfaces.
2. Avoid storing flammable or combustible materials in, on or near the appliance.

## ELECTRICAL HOOK-UP

1. Refer to the nameplate. Verify the electrical service power. Voltage and phase must match the nameplate specifications. Plugging the warmer into the wrong voltage can severely damage the unit or cause noticeable decreased performance.
2. Your warmer is equipped with a grounded electrical cord. This cord must be plugging into a properly grounded electrical receptacle.

**WET OR DRY OPERATION for SOUP COOKERS and FOOD WARMERS**

1. Carefully read the description of the operation on the specification sheet.
2.
  - a. Soup Cookers and Food Warmers are designed for *WET OR DRY* operation.
  - b. Soup Cookers and Food Warmers may be used *wet*, or may be used *dry*. However they may **NOT** be used *wet-to-dry* or *dry-to-wet* unless they have been allowed to cool to room temperature between the change in wet or dry operation.
  - c. Wells Manufacturing recommends operating WET for consistent food heating.
  - d. If your wet-operation Soup Cookers or Food Cooker is allowed to run dry, turn it OFF and allow to cool to room temperature before adding water.
3. If the unit is to be used for *WET* operation, add approximately 1" of hot tap water before turning the unit *ON*. Use of hot water will allow a faster preheat.
  - a. Check the water level frequently and add hot water as necessary to prevent the unit from running dry. Do not add water to the unit if it has run dry.
  - b. If your wet-operation unit is allowed to run dry, turn it OFF and allow to cool to room temperature before adding water.
4. Damage caused by allowing a wet-operation unit to run dry, is **NOT** covered by warranty. Damage caused by adding water to a dry unit when hot is **NOT** covered by warranty.

**OPERATION FOR SOUP COOKERS**

1. Turn control knob to COOK. Allow Soup Cooker to PREHEAT (see page 6 for recommended preheat time)
2. Set inset with food product into Soup Cooker. Follow soup manufacturer's instructions until soup cooks. Stir occasionally.
3. Set the control for the desired HOLD temperature. Be sure to keep the soup cooker covered during preheat and operation.

**OPERATION FOR FOOD WARMERS**

1. Press power switch ON. Allow Soup Cooker to PREHEAT (see page 6 for recommended preheat time)
2. Set inset with food product into Food Warmer. Stir product occasionally.
3. Be sure to keep the food warmer covered during preheat and operation.



**CAUTION: HOT SURFACE**

Exposed surfaces can be hot to the touch and may cause burns.



**CAUTION: SHOCK HAZARD**

DO NOT splash or pour water onto control panel or wiring.

Always use an inset. **DO NOT** place food directly into the warmer.

Always pour hot water into the warmer before it is preheated. **DO NOT** pour water into a dry, heated warmer. This may damage the unit.

**DO NOT** put ice into a warmer pan. This will cause condensation on the inside of the warmer. Damage caused by condensation is **NOT** covered by warranty.

Stir thick food items frequently to keep food heated uniformly.

Keep insets covered to maintain food quality and temperature.

## OPERATION (continued)



### CAUTION: HOT SURFACE

Exposed surfaces can be hot to the touch and may cause burns.



### CAUTION: SHOCK HAZARD

DO NOT splash or pour water onto control panel or wiring.

Always use an inset.

**DO NOT** place food directly into the warmer.

Always pour hot water into the warmer before it is preheated. **DO NOT** pour water into a dry, heated warmer. This may damage the unit.

**DO NOT** put ice into a warmer pan. This will cause condensation on the inside of the warmer. Damage caused by condensation is **NOT** covered by warranty.

Stir thick food items frequently to keep food heated uniformly.

Keep insets covered to maintain food quality and temperature.

### PREHEAT FOR SOUP COOKERS and FOOD WARMERS

1. Place desired pan(s) or inset(s) with appropriate adapter top on warmer.

#### NOTE:

Insets are available as accessories in 2½ qt., 4qt., 7 qt., and 11 qt. sizes with lids and adapter tops.

2. Turn temperature control to HI or highest temperature setting. Allow warmer to preheat for recommended time (see chart below), then set the control for the desired temperature. Be sure to keep the warmer covered during preheat and operation.

### OPERATION FOR SOUP COOKERS AND FOOD WARMERS

1. Always use an inset. **DO NOT** place food directly into the warmer.
2. Check water level in wet-operation warmer frequently during use. Running warmers dry will lower the temperature of the food in the insert pan, and may damage the warmer.
3. Alternating between wet and dry operation in any individual warmer is **NOT** recommended.
4. **DO NOT** use metal tools, steel wool, or caustic or abrasive cleanser to clean warmer pan.
5. For **Deluxe, SC-7 and SC-11**: Turn control to "HI" until food is at desired temperature. Turn control to "LOW" or "MEDIUM" to maintain food at the desired temperature.
6. Stir this food occasionally to maintain consistency.

## ESTIMATED PREHEAT TIME BY MODEL

MODEL	CAPACITY	WELL MATERIAL	PREHEAT TIME	
			WET	DRY
Deluxe	11 QT. INSET	STAINLESS STEEL	10 min.	10 min.
SC-7	7 QT INSET	ANODIZED ALUMINUM	10 min.	10 min.
SC-11	11 QT INSET	ANODIZED ALUMINUM	10 min.	10 min.



## CLEANING INSTRUCTIONS

### DAILY CLEANING INSTRUCTIONS

**PREPARATIONS:** Press power switch to OFF; or, turn control knob to OFF.  
Unplug the warmer.  
Allow warmer to cool before proceeding.  
Remove any insets, pans and/or adapter tops  
Remove water from well if used for wet operation.

**FREQUENCY:** Minimum - daily.

**TOOLS:** Mild Detergent  
Solution: 10 Parts Warm Water to 4 Parts Vinegar  
Plastic Scouring Pad  
Clean Cloth or Sponge

1. Wipe entire unit down using a clean cloth or sponge and mild detergent.
2. Use a plastic scouring pad to remove any hardened food particles or mineral deposits.  
**IMPORTANT:** DO NOT use steel wool for cleaning.
3. Rinse warmer thoroughly with a vinegar and water solution to neutralize all detergent cleanser residue.
4. Inspect warmer tank for damage. Damage to the outer body may allow grease and water to leak into insulation and heating element, causing a potential fire and/or electric shock hazard. Contact your Authorized Wells Service Agency to inspect the warmer if you suspect water or grease contamination.
5. Add proper amount of warm water. Reconnect warmer to electric power. Press power switch ON; or, turn control knob ON and check for proper operation.



**CAUTION:  
SHOCK HAZARD**

Do NOT splash or pour water into or over any control panel or wiring.



**CAUTION:  
SHOCK HAZARD**

Disconnect warmer from electric power before cleaning



**CAUTION:  
BURN HAZARD**

Allow warmer to cool completely before cleaning.



**CAUTION:  
SHOCK HAZARD**

DO NOT submerge warmer in water.

## MAINTENANCE INSTRUCTIONS

### CARE OF ANODIZED ALUMINUM (SC-7 & SC-11)

The well in your Wells Warmer or Soup Cooker is constructed of high quality anodized aluminum. As long as the anodized surface layer is intact, the equipment will not corrode.

The anodized surface can be damaged by mechanical abrasion, hard water deposits and chlorine:

1. NEVER use steel wool, wire brushes or metal scrapers to clean the warmer. These will damages the anodized surface of the well. Metal scrub pads **SHOULD NOT** be used on anodized aluminum.
2. Hard water deposits left behind when water is evaporated will attack the anodized surface and allow the well to corrode.
3. Chlorides from chlorinated cleansers, calcium/lime/rust removes (e.g. muriatic acid), even heavily chlorinated city water will attack the anodized surface and allow the well to corrode.
4. DO NOT use any highly caustic cleaners on the warmers. Use of highly caustic cleaners will attack the anodized surface and allow the well to corrode.
5. LIMIT USE of strong caustic cleaners on warmers. Rinse thoroughly with a vinegar and water solution to neutralize any residue. Failure to do so may cause damage to the anodized surface and allow the well to corrode.
6. Cleansers containing ammonia will attack the anodized surface and allow the well to corrode.

Use the proper tool in the proper way to clean you Wells warmer:

1. Soft cloth and plastic scouring pads are safe to use on anodized aluminum. Scrub only in the direction of the grain lines.
2. Do not use a circular motion.

Use only non-chlorine and non-ammonia cleansers:

1. DO NOT use any cleanser listed as "chlorinated".
2. DO NOT use any cleanser listing "ammonia" or "ammonium" in its contents.
3. Contact your cleaning materials supplier for cleansers suitable for aluminum.

Keep you Wells warmer clean. Clean frequently to avoid build-up of hard, stubborn stains and hard-to-remove deposits:

1. Rinse thoroughly with a vinegar and water solution to neutralize any residue.
2. For discoloration caused by using the warmer in *DRY* operation, use a cleaner made specifically for anodized aluminum.
3. Wipe dry with a soft, clean dry cloth.
4. Restore the surface by using a polishing product specifically made for aluminum after each cleaning.

Recommendation: A water softening device or a cartridge-type filtration device may be used to minimize lime build-up.

## **CARE OF STAINLESS STEEL (Deluxe)**

Stainless steel is a marvelous material: strong, lustrous and low maintenance. With a minimum of care, it will normally retain its beauty and durability for the life of the equipment. In some applications, however, special care is required in order to maintain stainless steel's special properties.

External components, such as cabinets and control panels, are finished with a grain pattern. This pleasing finish is best maintained by cleaning with a non-abrasive cleanser applied with a soft cloth. Rub only in the direction of the grain. In the absence of visible grain, rub only along the longest axis of the appliance.

Restore stainless steel's luster by applying a polish specifically made for stainless steel. Spray on, wipe off with a soft cloth, rubbing in the direction of the grain.

**Never use metal implements, wire brushes, abrasive scratch pads or steel wool to clean stainless steel.**

Warmer pans, insets and other vessels are subject to a harsher environment. Wells Manufacturing uses an very high quality stainless steel (#304DDQ) for our food warmer pans. Even the highest quality stainless steel, however, is mostly iron, and will rust, pit and corrode under the following conditions:

- **Poor Water Quality:** Hard water (water with a high content of dissolved minerals) will leave mineral deposits when allowed to dry. Calcium (lime) can buildup on heated surfaces, even under water. If left unattended, hard water spots and lime buildup can lead to rusting, corrosion and pitting.
- **Contact with Chlorides:** Chlorides (specific compounds of chlorine) are found in food, table salt and many cleansers. Chlorides can attack the surface of stainless steel, resulting in corrosion and pitting.

Keep your stainless steel warmers clean and free from calcium buildup.  
Use alkaline, alkaline chlorinated or non-chloride cleanser.  
Use citric acid-based cleaners to remove calcium deposits.

For additional information, please read the NAFEM Stainless Steel Equipment and Cleaning Guide. Contact NAFEM at :

North American Association of Food Equipment Manufacturers  
401 N. Michigan Avenue  
Chicago, Illinois 60611-4267  
(312) 644-6610

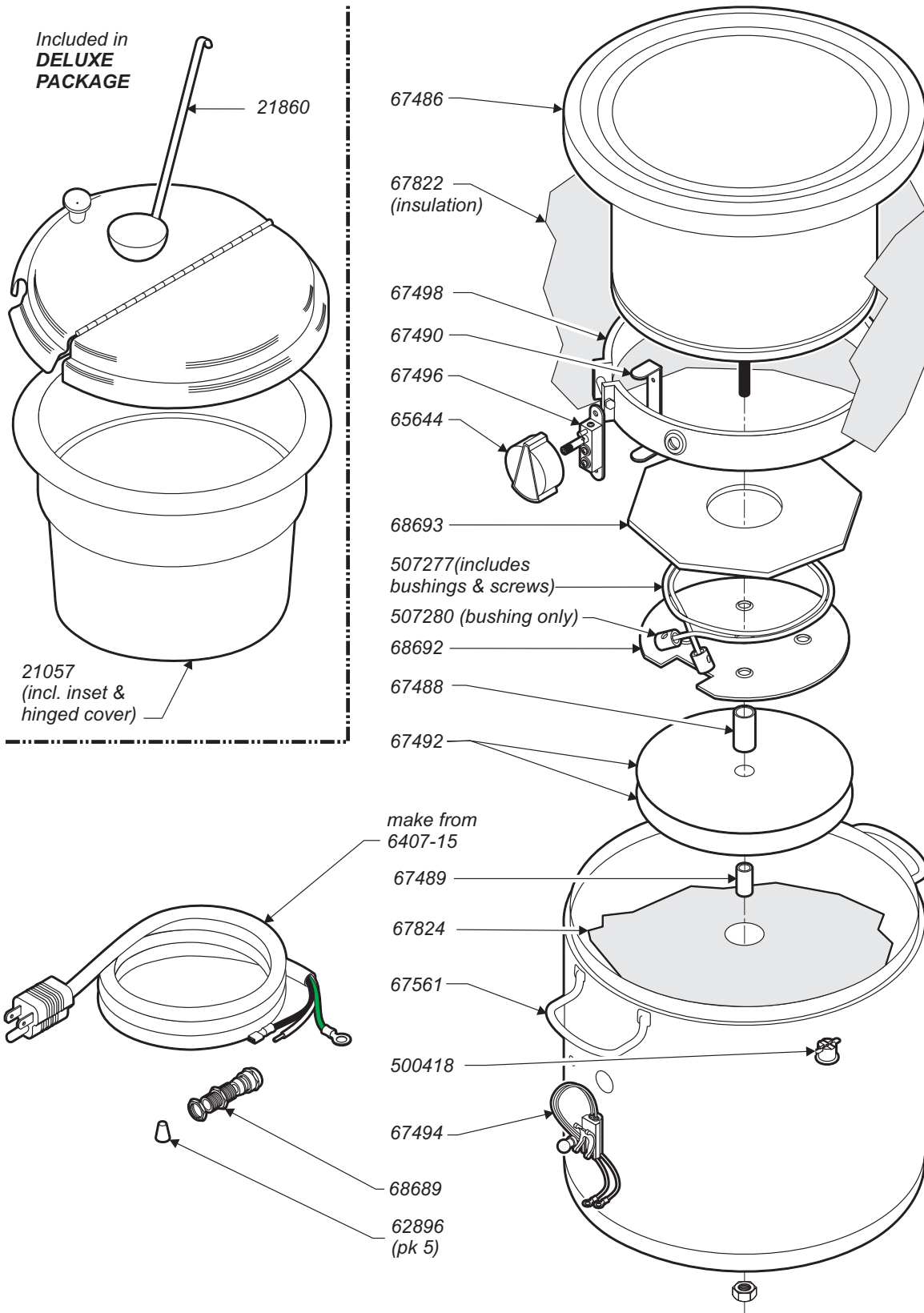
## TROUBLE SHOOTING SUGGESTIONS

SYMPTOM	POSSIBLE CAUSE	SUGGESTED REMEDY
No power to warmer	Circuit breaker off or tripped	Reset circuit breaker
	Unit not plugged in	Make sure unit is plugged in to power receptacle
Warmer will not heat	Temperature control not set	Set control to desired temperature
	Internal damage	Contact your Authorized Wells Service Agency for repairs
Warmer trips circuit breaker	Wet insulation	Allow to dry or replace insulation
	Pan leaking or other internal damage	Contact your Authorized Wells Service Agency for repairs
	Internal damage	Contact your Authorized Wells Service Agency for repairs
Warmer slow to heat	Warmer used in "dry" mode (inset) slow to heat; or, used "wet" with insufficient water in well	Warmer will heat the inset faster when used in "wet" mode. Allow to cool, then add 1" of water to well
	(Deluxe) Mineral deposits in well acting as a insulator	Clean well with delime cleaner. <b>DO NOT USE ON ALUMINUM SURFACES!</b>
	(SC-7 and SC-11) Mineral deposits in well acting as a insulator	Remove deposits with a plastic scouring pad.
	Connected to wrong voltage	Verify supply voltage (must match voltage on warmer nameplate)
	Too much water in well	Remove water from pan until no more than 1" of water remains in well

There are no user-serviceable components in this appliance. In all instances of damage or malfunction, contact your Authorized Wells Service Agency for repairs.

# EXPLODED VIEW & PARTS LIST

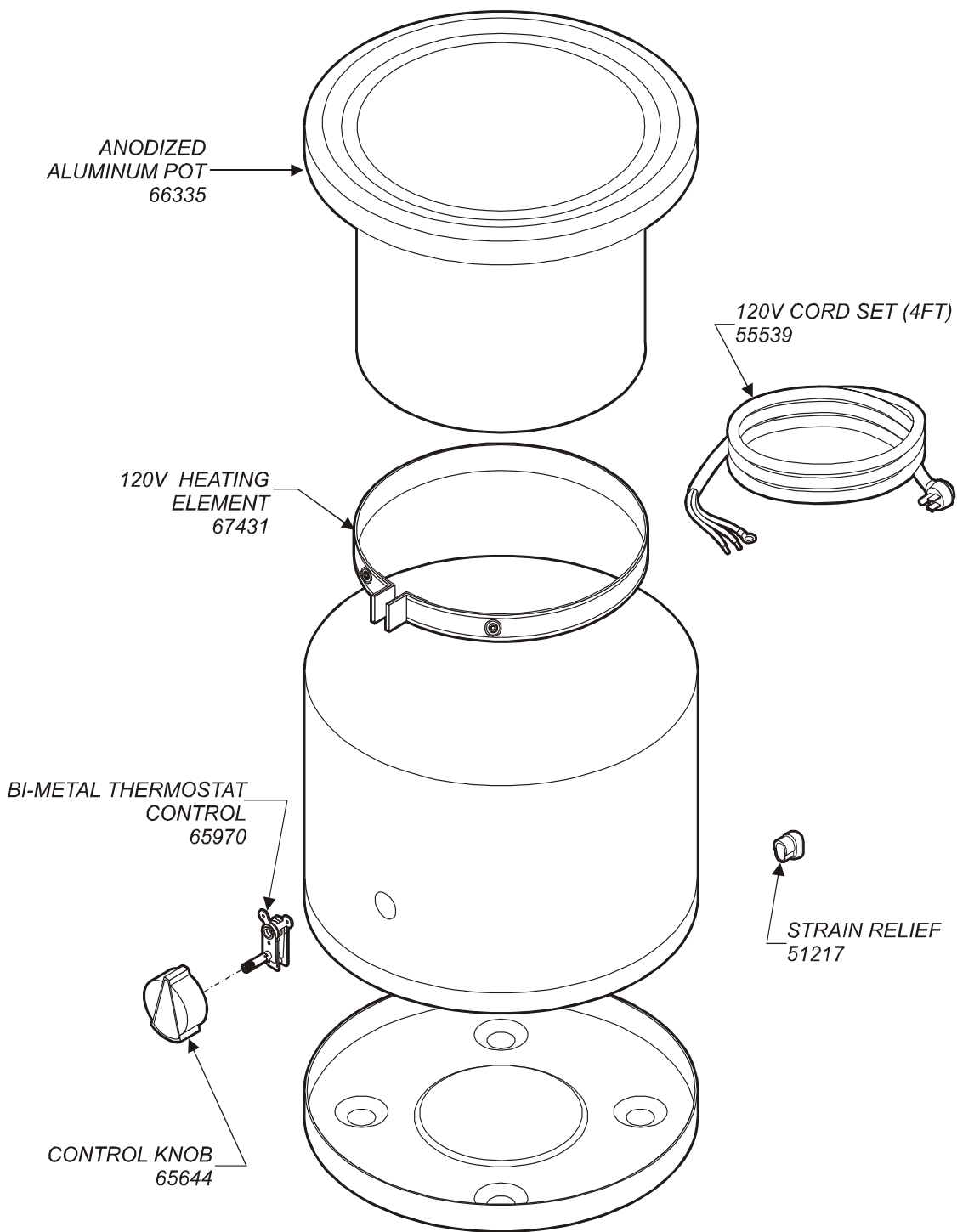
## MODEL Deluxe Soup Cooker, Deluxe Package



004 p/n 2M-307932 Owners Manual Countertop Soup Cookers

# EXPLODED VIEW & PARTS LIST

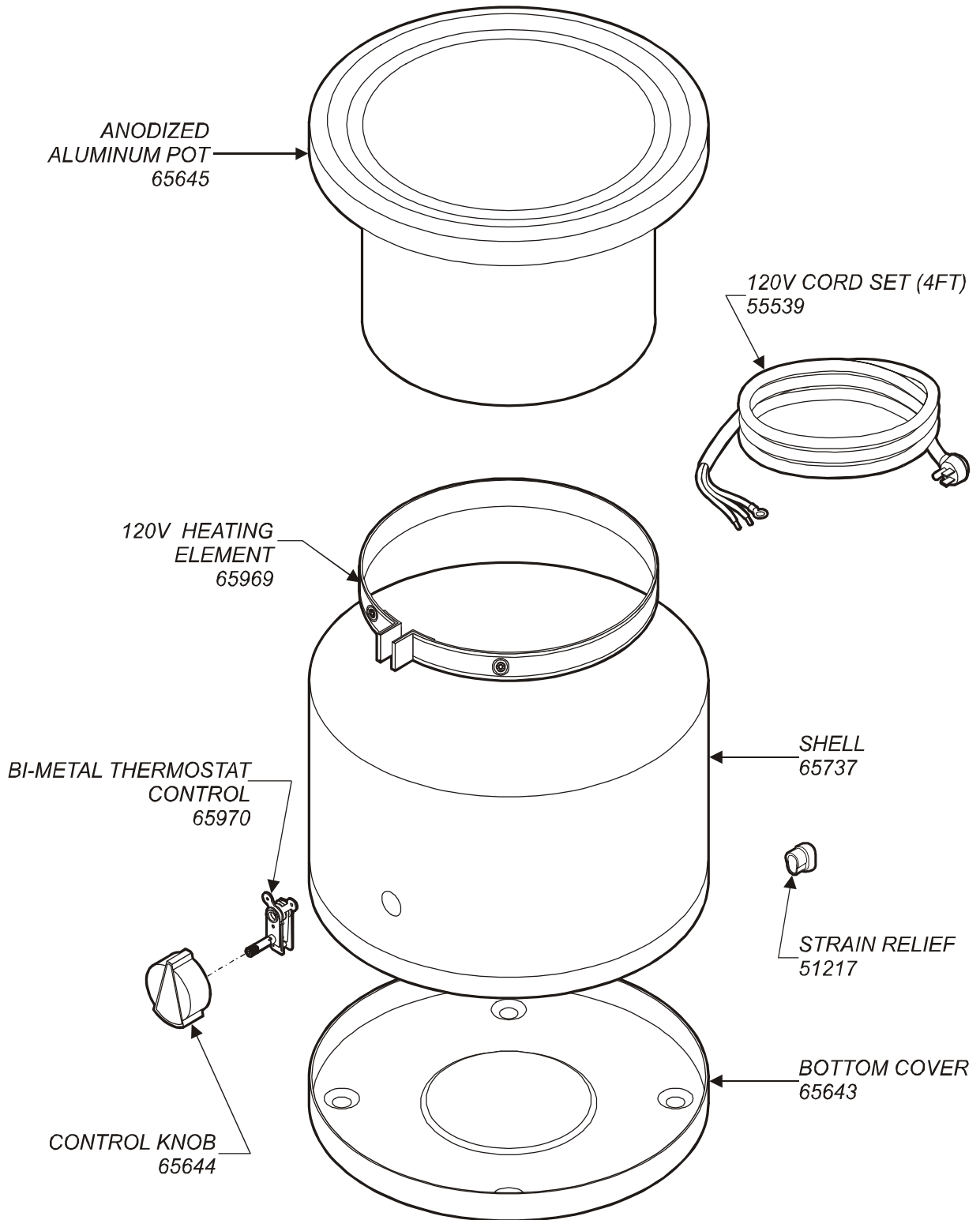
MODEL SC-7



004 p/n 2M-307932 Owners Manual Countertop Soup Cookers

# EXPLODED VIEW & PARTS LIST

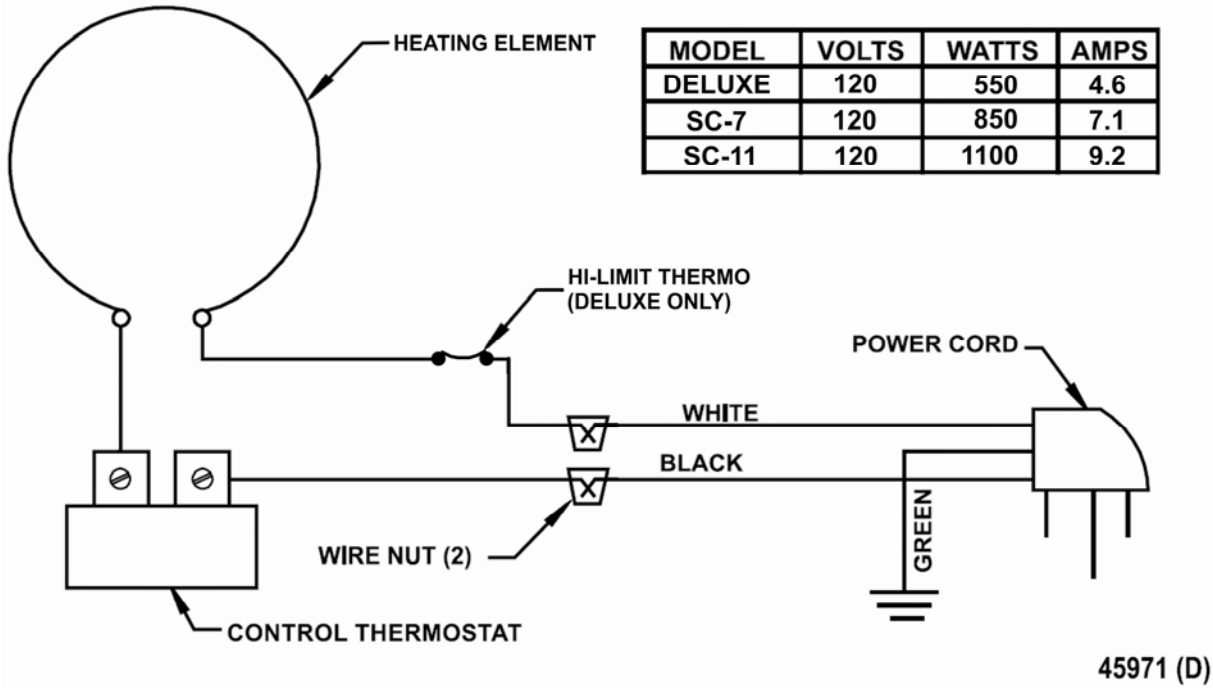
MODEL SC-11



004 p/n 2M-307932 Owners Manual Countertop Soup Cookers

# WIRING DIAGRAM

WIRING DIAGRAM FOR DELUXE, SC-7, SC-11



004 p/n 2M-307932 Owners Manual Countertop Soup Cookers





**NOTES**

**PARTS & SERVICE (continued)**

**DESCRIPTION**

**PART NO.**

**IMPORTANT: Use only factory authorized service parts and replacement filters.**

**ACCESSORIES**

6 oz. SOUP LADLE

21764

For factory authorized service, or to order factory authorized replacement parts, contact your Wells authorized service agency, or call:

**IMPORTANT:**

Always use an inset. **DO NOT** place food directly in warmer well.

**INSETS**

2½ QT. ROUND INSET w/ lid

20773

4 QT. ROUND INSET w/ lid

20774

7 QT. ROUND INSET w/ lid

20587

11 QT. ROUND INSET w/ lid

20908

11 QT. ROUND INSET w/ hinged lid

21057

**Wells Manufacturing**

265 Hobson Street  
Smithville, Tennessee 37166 U.S.A.

Service Dept.  
phone: (314) 781-2777  
fax: (314) 781-2714

**ADAPTER TOPS FOR Deluxe, SC-11 and 6411S**

ONE 7 QT. INSET ADAPTER TOP

20175

ONE 4 QT. INSET ADAPTER TOP

20822

Service Parts Department can supply you with the name and telephone number of the WELLS AUTHORIZED SERVICE AGENCY nearest you.

**CUSTOMER SERVICE DATA**

please have this information available if calling for service

RESTAURANT \_\_\_\_\_ LOCATION \_\_\_\_\_

INSTALLATION DATE \_\_\_\_\_ TECHNICIAN \_\_\_\_\_

SERVICE COMPANY \_\_\_\_\_

ADDRESS \_\_\_\_\_ STATE \_\_\_\_\_ ZIP \_\_\_\_\_

TELEPHONE NUMBER (\_\_\_\_) \_\_\_\_\_ - \_\_\_\_\_

EQUIPMENT MODEL NO. \_\_\_\_\_

EQUIPMENT SERIAL NO. \_\_\_\_\_

VOLTAGE: (check one)  120  208  240



Wells Bloomfield proudly supports CFESA  
Commercial Food Equipment Service Association

**SERVICE TRAINING - QUALITY SERVICE**



**CUSTOMER SATISFACTION**



**WELLS MANUFACTURING**  
265 Hobson Street, Smithville, Tennessee 37166 U.S.A  
telephone: 314-781-2777  
fax: 314-781-2714  
[www.wells-mfg.com](http://www.wells-mfg.com)

PRINTED IN UNITED STATES OF AMERICA