



HBA0/5 'N' SERIES

Parts Identification Manual



HBA5N1 SHOWN

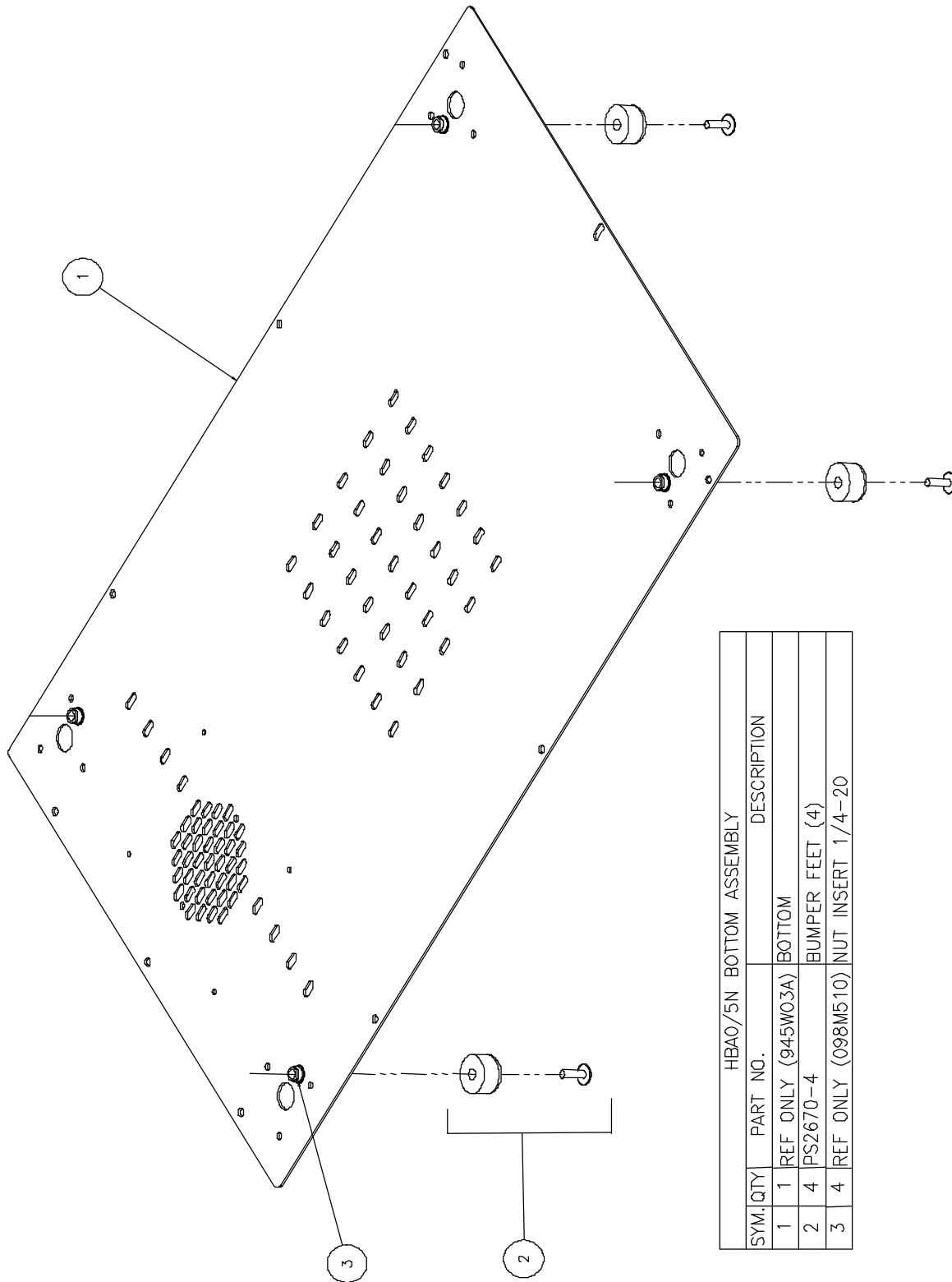
WINSTON CVAP MODEL HBA0/5N SERIES

TABLE OF CONTENTS

Exploded view – Bottom Assembly	3
Exploded view – Cabinet Assembly.....	4
Exploded view – Drawer Assembly.....	5
Exploded view – Cabinet & Drawer Assembly.....	6
Exploded view – Escutcheon / Control Assembly.....	7
Exploded view – Fan Assembly.....	8
Exploded view – Probe Assembly.....	9
Exploded view – Tank Assembly.....	10
Electrical Schematic.....	11

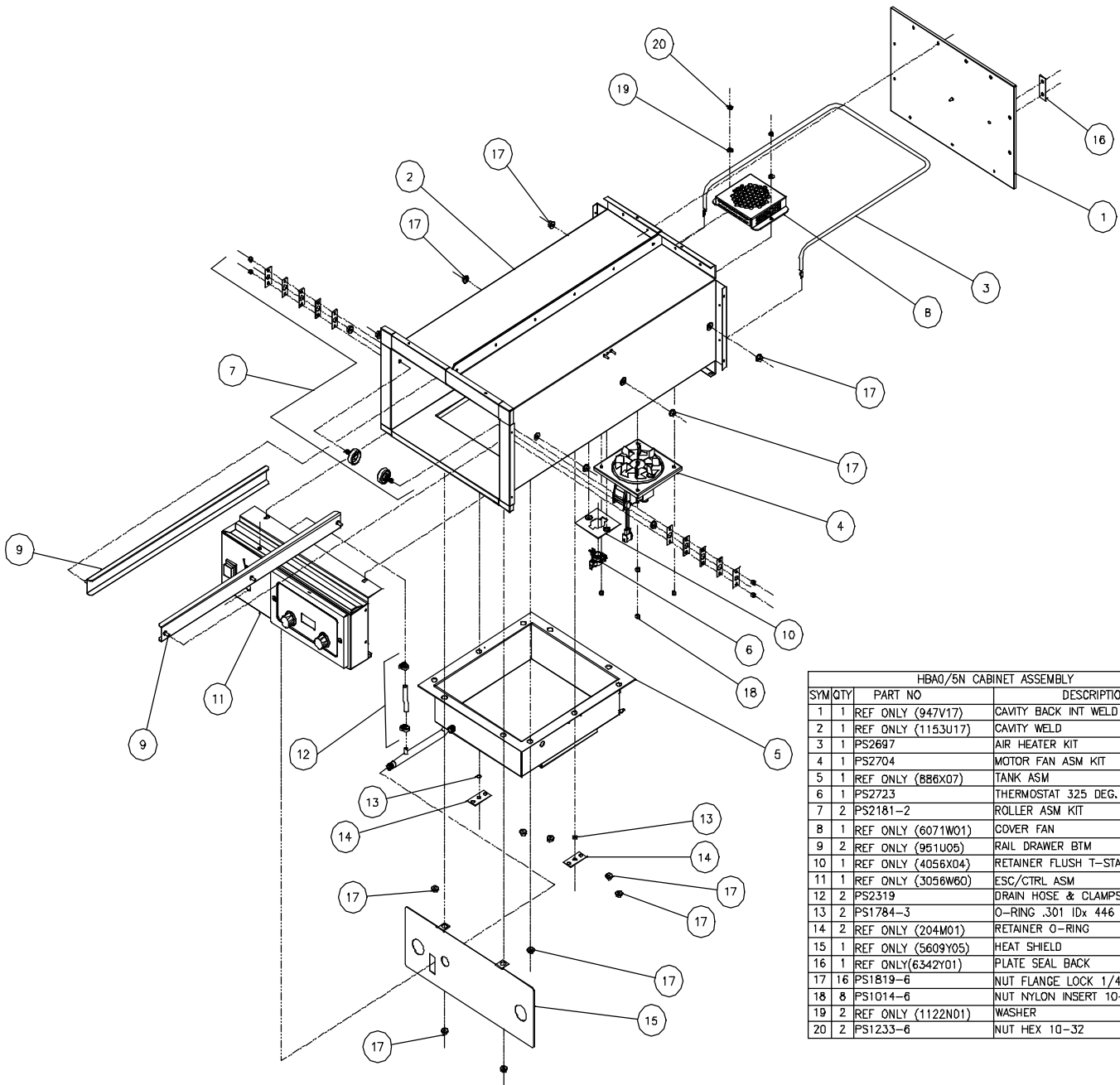
WINSTON CVAP MODEL HBA0/5N SERIES

BOTTOM ASSEMBLY



WINSTON CVAP MODEL HBA0/5N SERIES

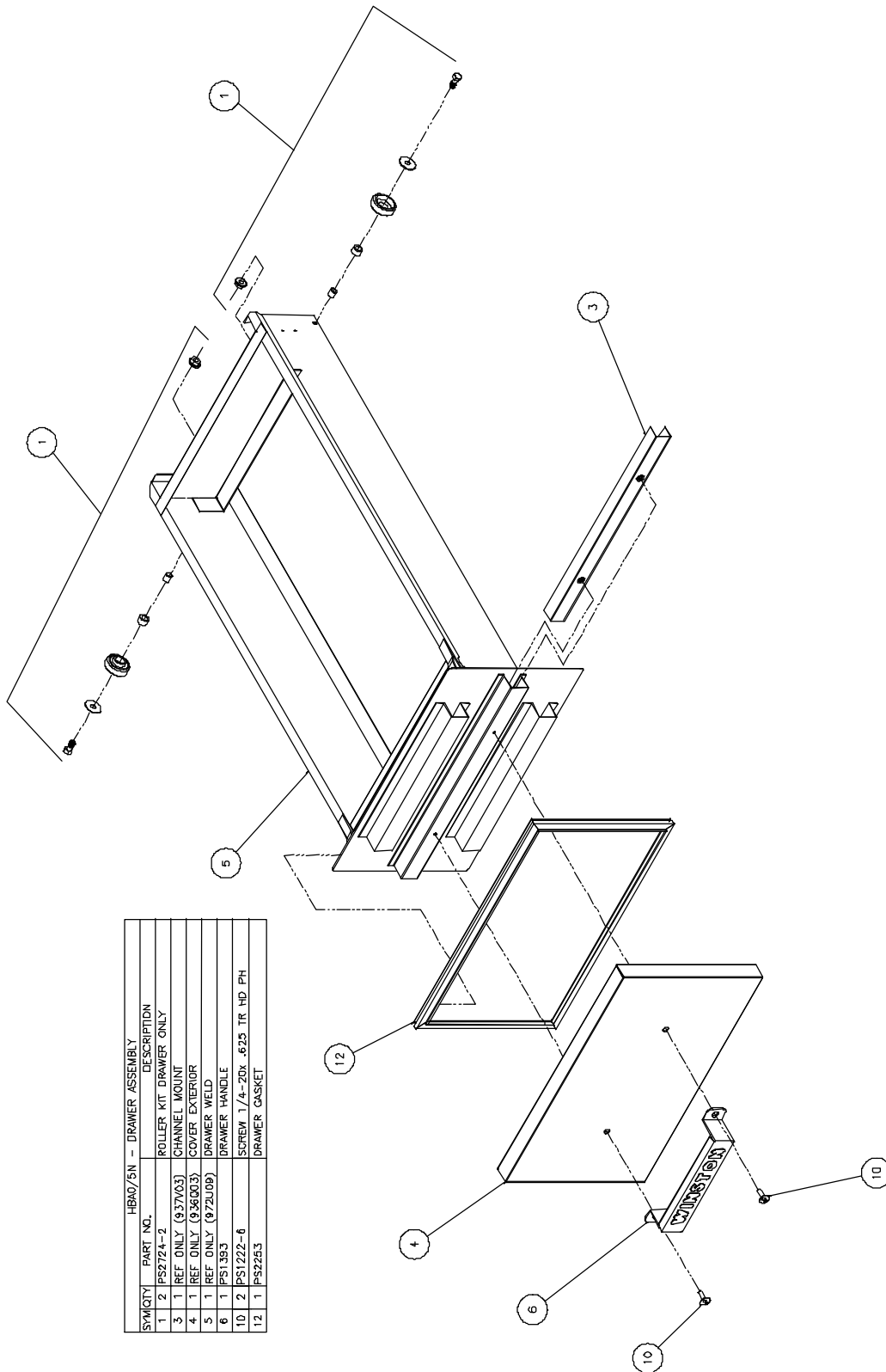
CABINET ASSEMBLY



HBA0/5N CABINET ASSEMBLY		
SYM/ QTY	PART NO	DESCRIPTION
1	REF ONLY (947V17)	CAVITY BACK INT WELD
2	REF ONLY (1153U17)	CAVITY WELD
3	PS2697	AIR HEATER KIT
4	PS2704	MOTOR FAN ASM KIT
5	REF ONLY (886X07)	TANK ASM
6	PS2723	THERMOSTAT 325 DEG.
7	2 PS2181-2	ROLLER ASM KIT
8	REF ONLY (6071W01)	COVER FAN
9	REF ONLY (961U05)	RAIL DRAWER BTM
10	REF ONLY (4056X04)	RETAINER FLUSH T-STAT
11	REF ONLY (3056W60)	ESC/CTRL ASM
12	PS2319	DRAIN HOSE & CLAMPS KIT
13	PS1784-3	O-RING .301 IDx 446 O.D.
14	2 REF ONLY (204M01)	RETAINER O-RING
15	REF ONLY (5609Y05)	HEAT SHIELD
16	REF ONLY (6342Y01)	PLATE SEAL BACK
17	16 PS1819-6	NUT FLANGE LOCK 1/4 - 20
18	8 PS1014-6	NUT NYLON INSERT 10-32 ZINC
19	2 REF ONLY (1122N01)	WASHER
20	2 PS1233-6	NUT HEX 10-32

WINSTON CVAP MODEL HBA0/5N SERIES

DRAWER ASSEMBLY



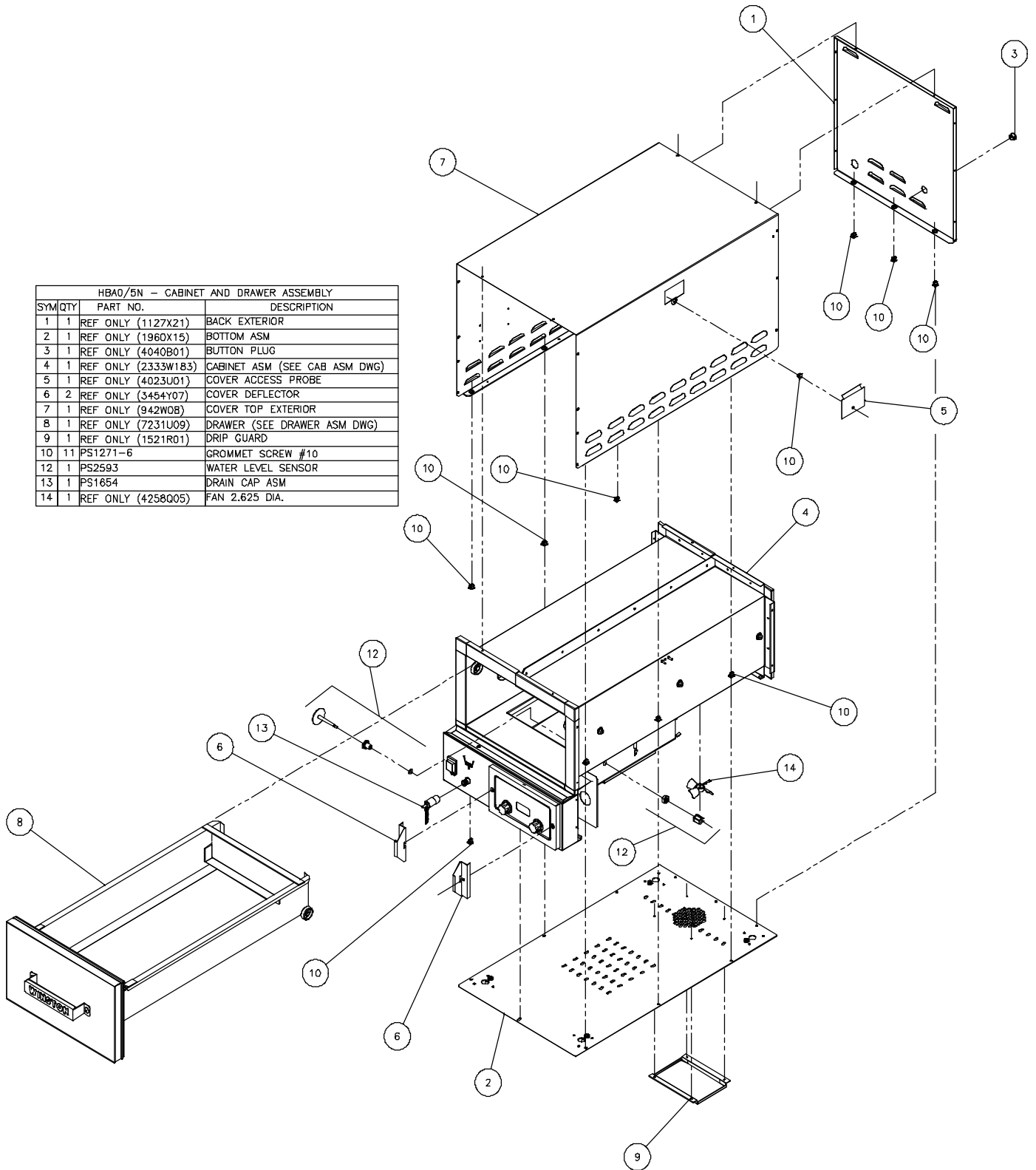
HBA0/5N - DRAWER ASSEMBLY	
SYMCITY	PART NO.
1	PS2724-2
2	PS2724-2
3	REF ONLY (937W03)
4	REF ONLY (936003)
5	REF ONLY (972U09)
6	PS1393
10	PS1222-6
11	PS2223

HBA0/5N - DRAWER ASSEMBLY		
SYMCITY	PART NO.	DESCRIPTION
1	PS2724-2	ROLLER KIT DRAWER ONLY
2	PS2724-2	ROLLER KIT DRAWER ONLY
3	REF ONLY (937W03)	CHANNEL MOUNT
4	REF ONLY (936003)	COVER EXTERIOR
5	REF ONLY (972U09)	DRAWER WELD
6	PS1393	DRAWER HANDLE
10	PS1222-6	SCREW 1/4"-20X .625 TR HD PH
11	PS2223	DRAWER GASKET

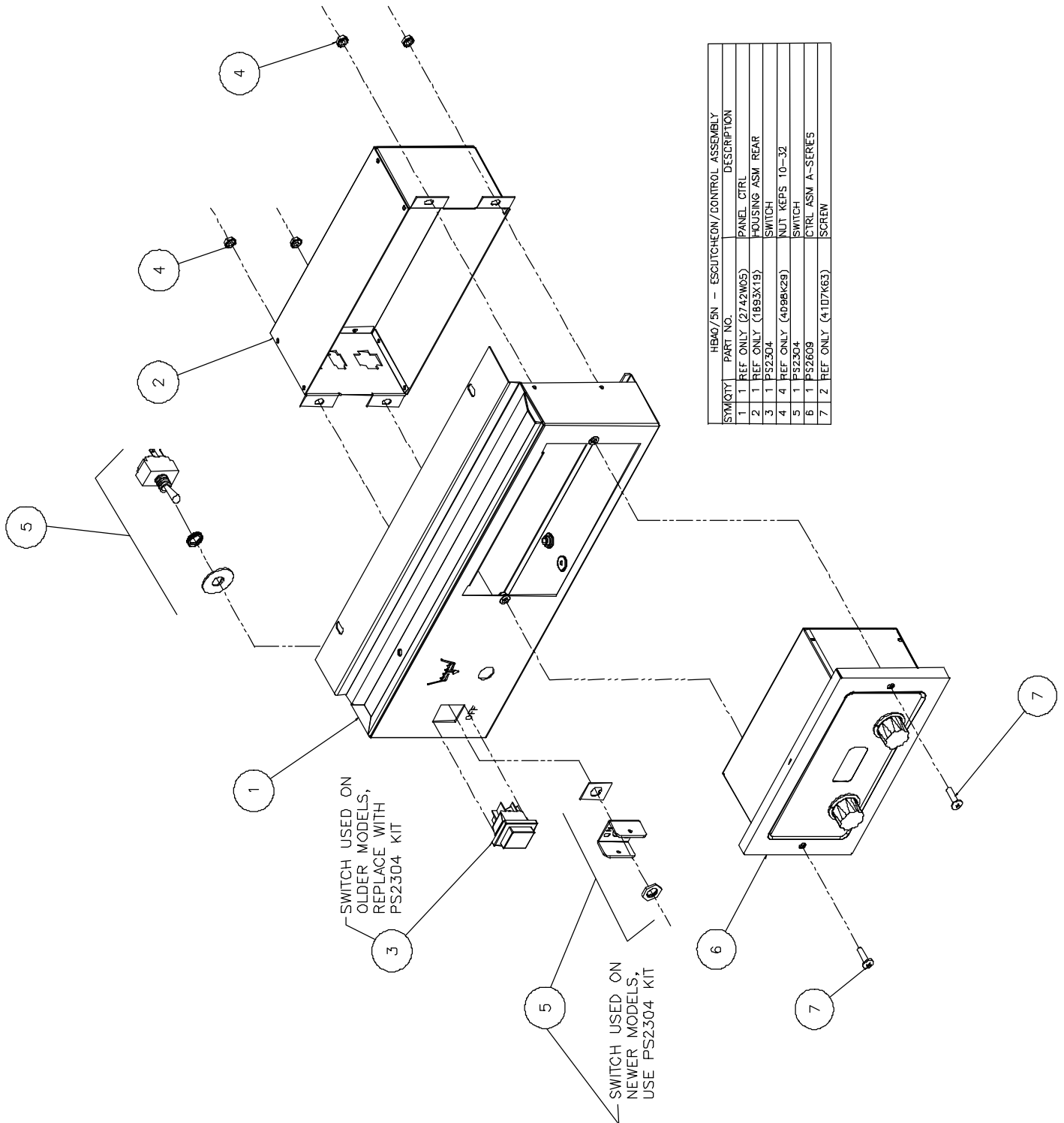
WINSTON CVAP MODEL HBA0/5N SERIES

CABINET & DRAWER ASSEMBLY

HBA0/5N - CABINET AND DRAWER ASSEMBLY			
SYM	QTY	PART NO.	DESCRIPTION
1	1	REF ONLY (1127X21)	BACK EXTERIOR
2	1	REF ONLY (1960X15)	BOTTOM ASM
3	1	REF ONLY (4040B01)	BUTTON PLUG
4	1	REF ONLY (2333W183)	CABINET ASM (SEE CAB ASM DWG)
5	1	REF ONLY (4023U01)	COVER ACCESS PROBE
6	2	REF ONLY (3454Y07)	COVER DEFLECTOR
7	1	REF ONLY (942W08)	COVER TOP EXTERIOR
8	1	REF ONLY (7231U09)	DRAWER (SEE DRAWER ASM DWG)
9	1	REF ONLY (1521R01)	DRIP GUARD
10	11	PS1271-6	GROMMET SCREW #10
12	1	PS2593	WATER LEVEL SENSOR
13	1	PS1654	DRAIN CAP ASM
14	1	REF ONLY (4258Q05)	FAN 2.625 DIA.

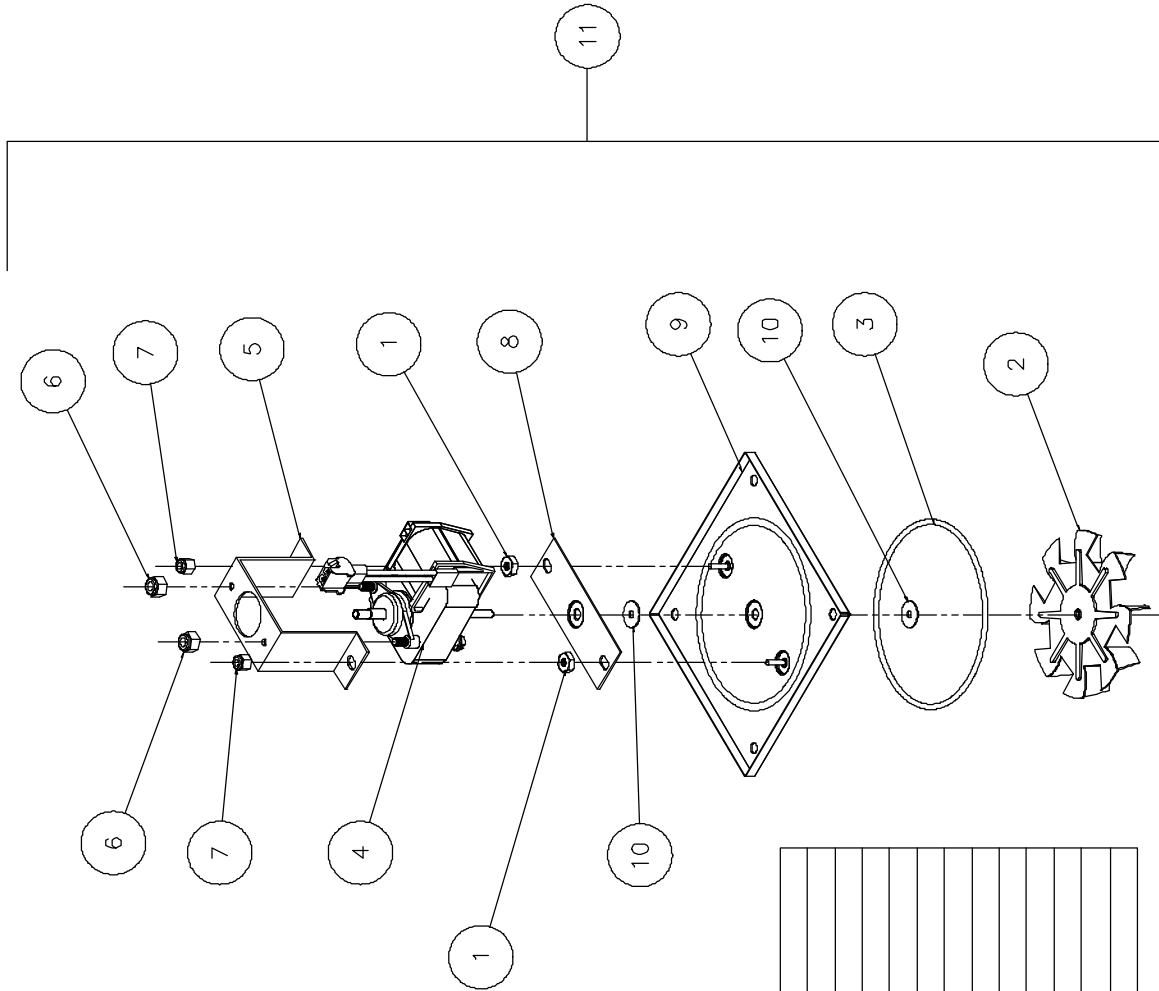


WINSTON CVAP MODEL HBA0/5N SERIES ESCUTCHEON / CONTROL ASSEMBLY



STMTQTY	PART NO.	DESCRIPTION
1	REF ONLY (2742W05)	PANEL CTRL
1	REF ONLY (1895X19)	HOUSING ASM REAR
3	PS2304	SWITCH
4	REF ONLY (4098K29)	NUT KEPS 10-32
5	PS2304	SWITCH
6	PS2609	CTRL ASM A-SERIES
7	REF ONLY (4107K63)	SCREW

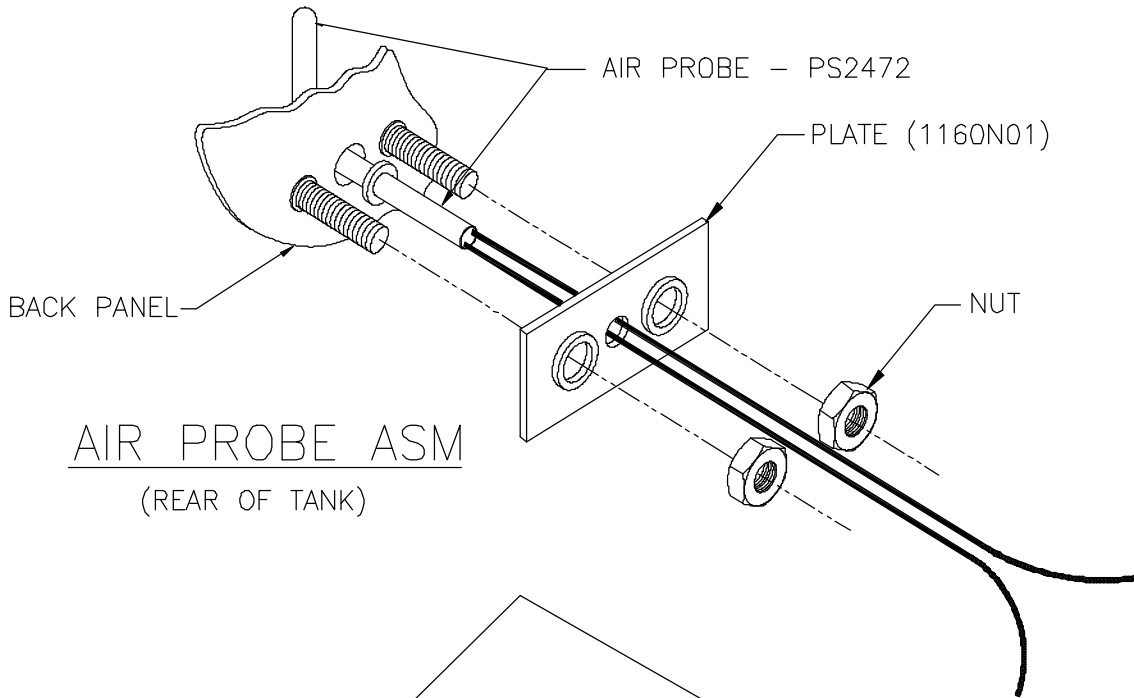
WINSTON CVAP MODEL HBA0/5N SERIES
FAN ASSEMBLY (HBA5 MODELS ONLY)



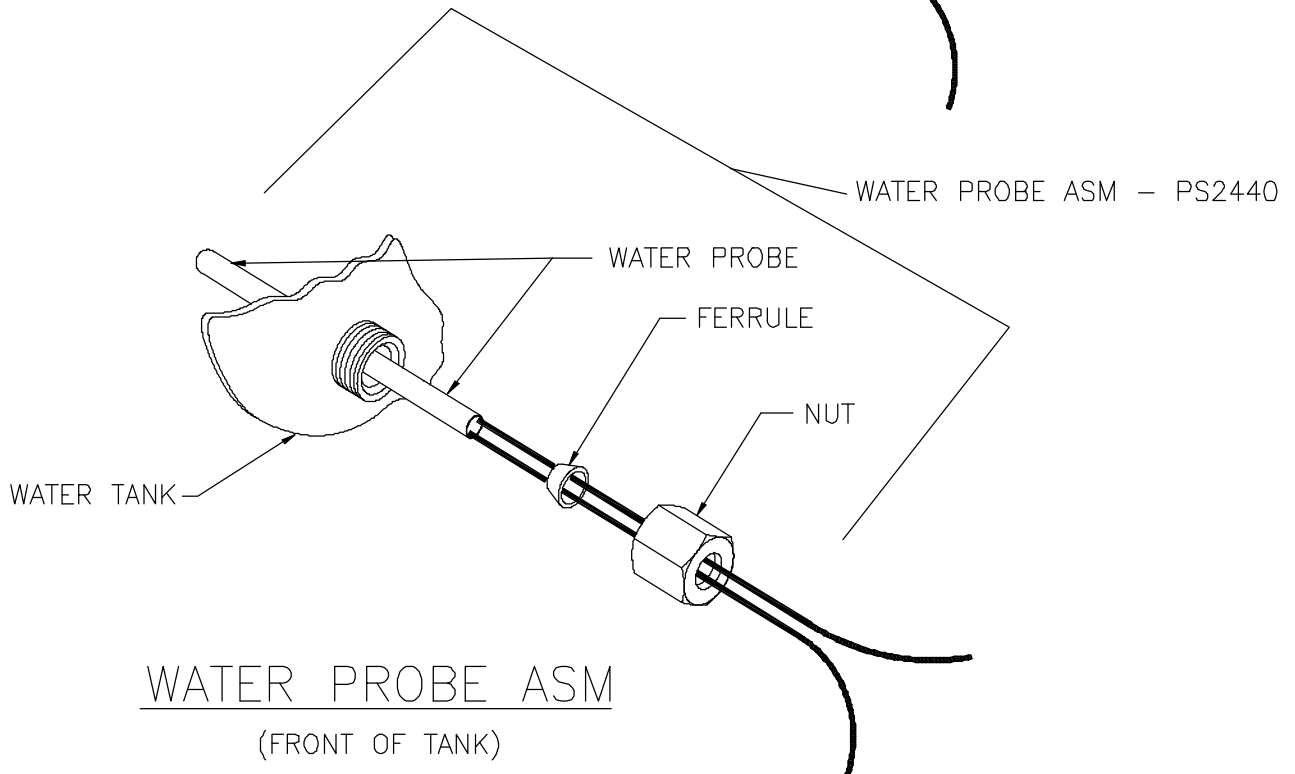
SYM	QTY	PART NO.	DESCRIPTION
		HBA5N FAN ASM PS2704	
1	2	REF ONLY (4098W78)	NUT JAM 1/4-20
2	1	PS2544	FAN 4.00 DIA.
3	1	REF ONLY (6159W01)	GASKET FAN ASM
4	1	PS2196	MOTOR 120V
5	1	REF ONLY (176W08)	MOUNT FAN
6	2	REF ONLY (4098N53)	NUT NYLON INSERT #10-32
7	2	REF ONLY (4098Q58)	NUT NYLON INSERT #8-32
8	1	REF ONLY (1070W02)	RETAINER SHAFT
9	1	REF ONLY (6106W01)	PLATE WELD
10	2	REF ONLY (4023W21)	WASHER SLINGER
11	1	PS2704	FAN AND MOTOR ASM

WINSTON CVAP MODEL HBA0/5N SERIES

PROBE ASSEMBLY



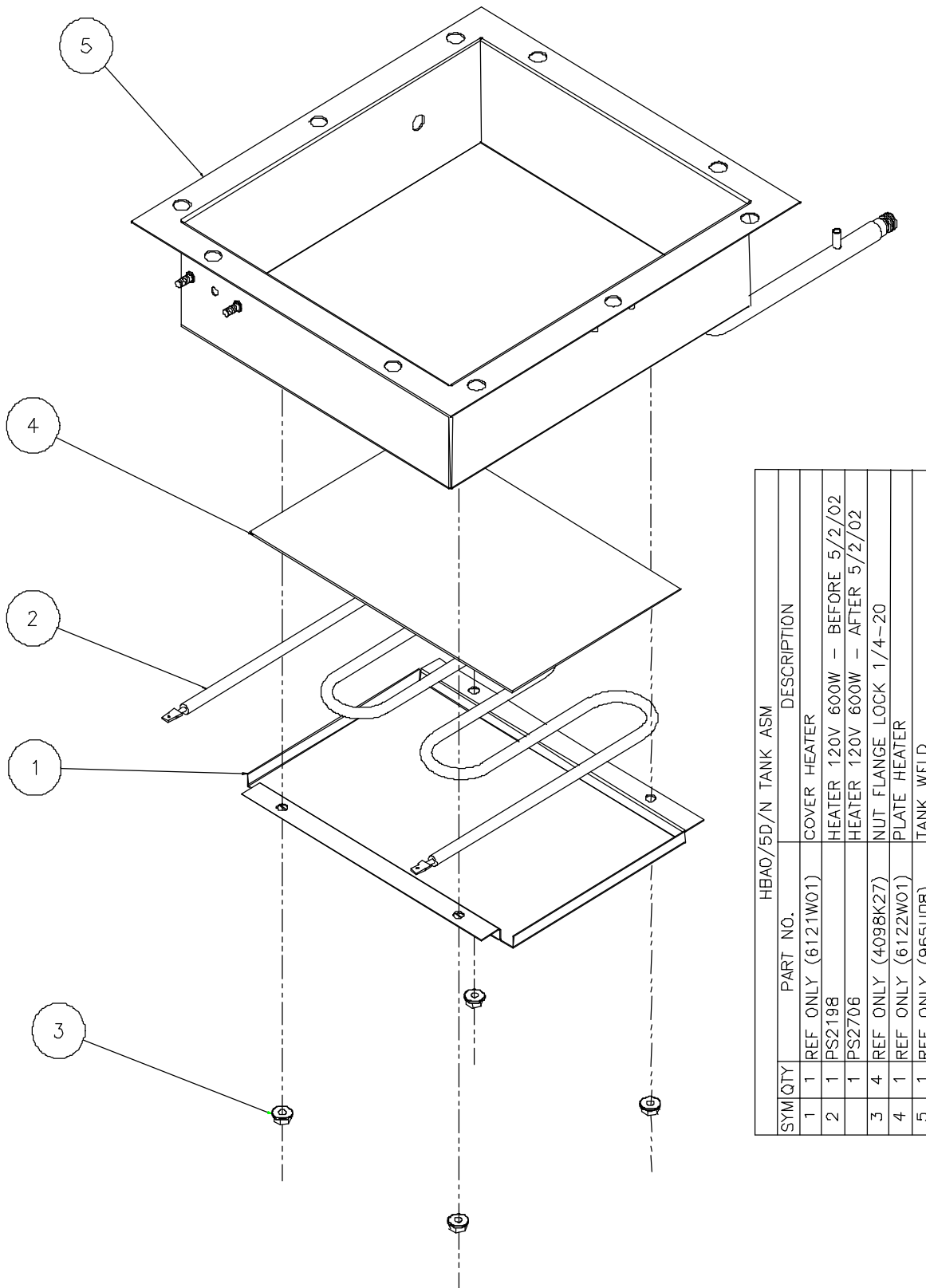
AIR PROBE ASM
(REAR OF TANK)



WATER PROBE ASM
(FRONT OF TANK)

WINSTON CVAP MODEL HBA0/5N SERIES

TANK ASSEMBLY



WINSTON CVAP MODEL HBA0/5N SERIES

SCHEMATIC (HBA0 MODELS DO NOT HAVE FAN)

