

# WMF 5000S+

---

## Ersatzteilkatalog Spare Parts Catalogue

18.06.2020

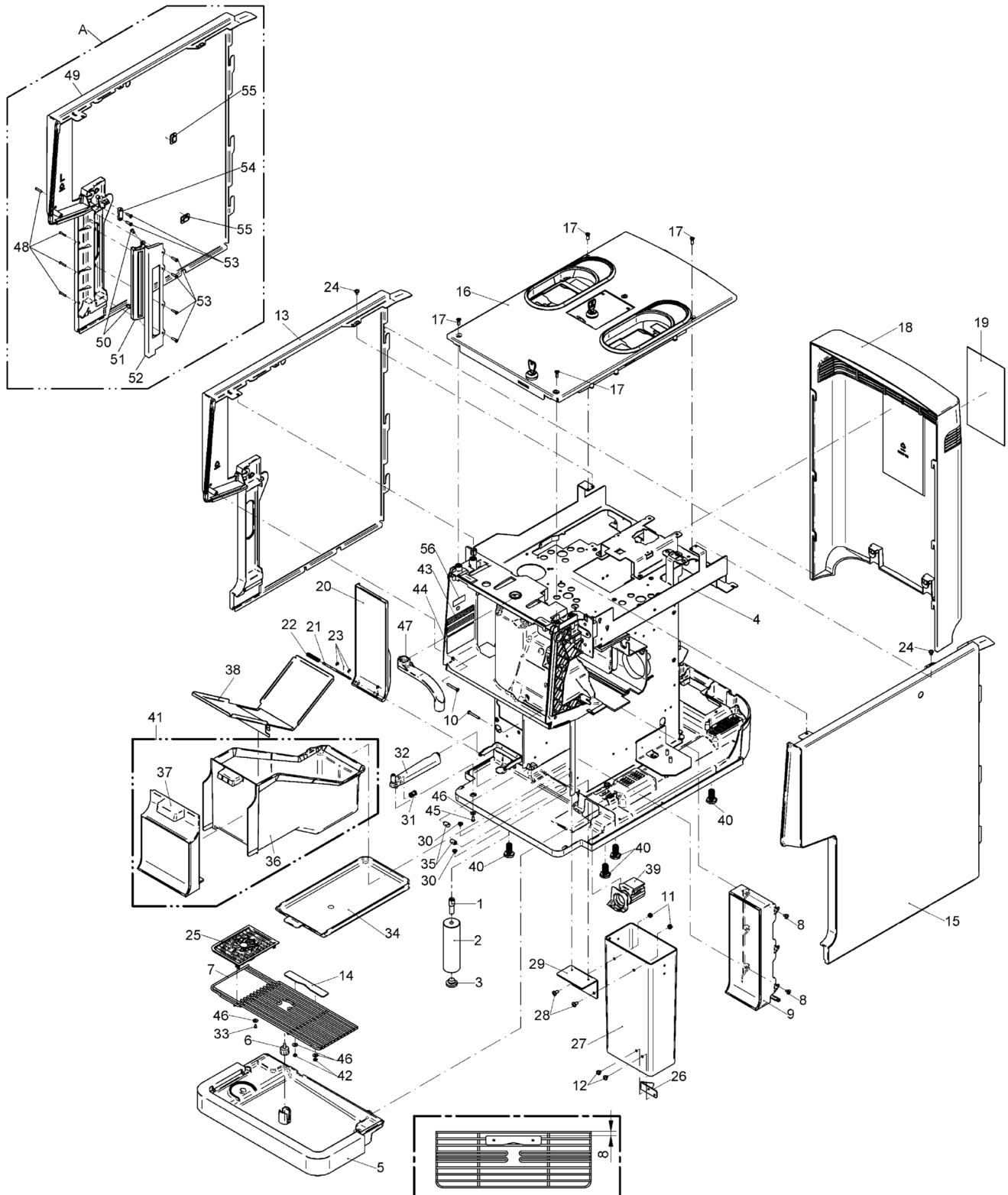


Printed in Germany  
Nachdruck, Vervielfältigung oder Übersetzung, auch  
auszugsweise, nicht erlaubt

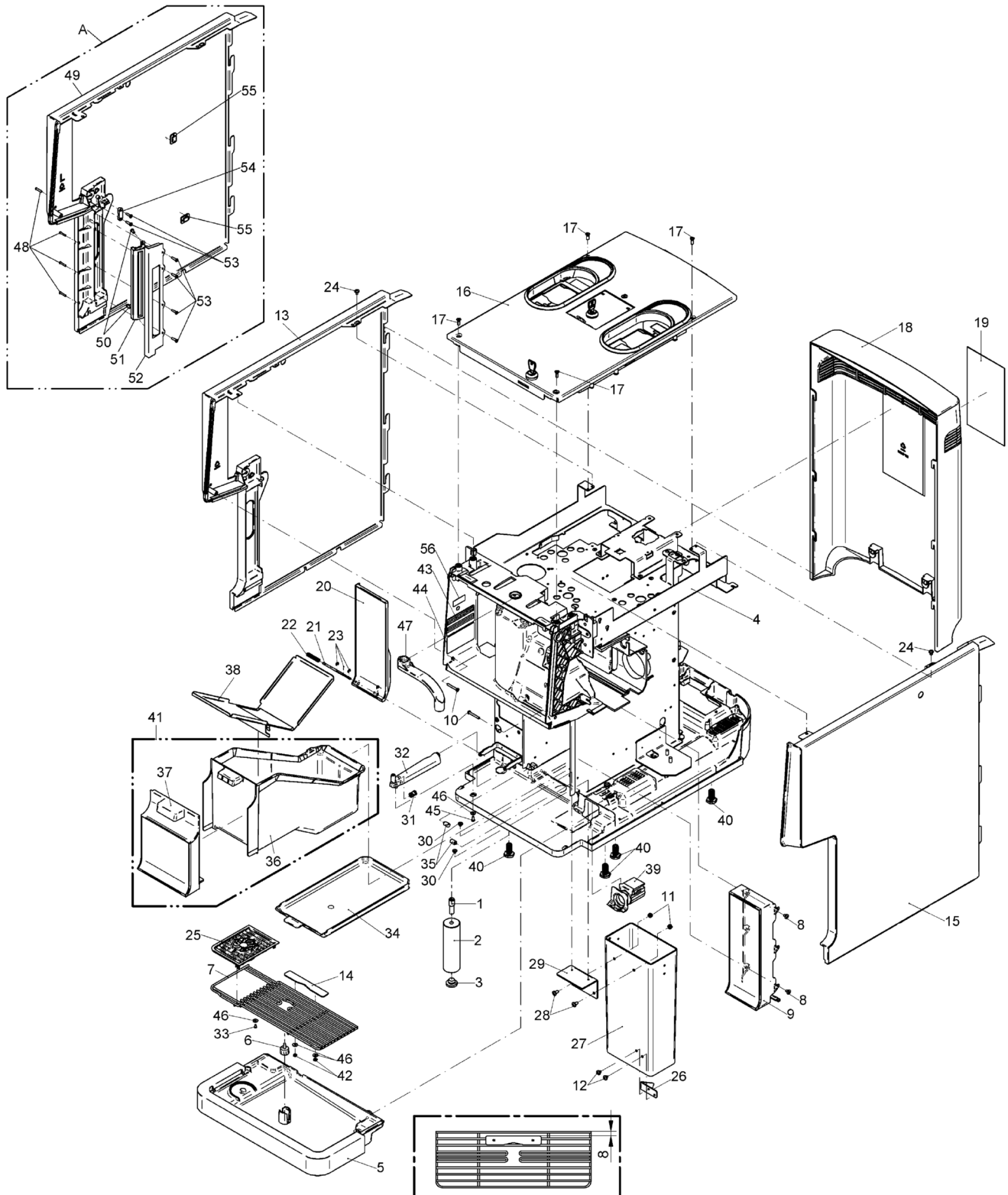
gedruckt / printed: 18.06.2020

WMF Group GmbH  
Eberhardstraße 35  
D-73312 Geislingen/Steige  
[info@wmf-group.com](mailto:info@wmf-group.com)  
[www.wmf-group.com](http://www.wmf-group.com)

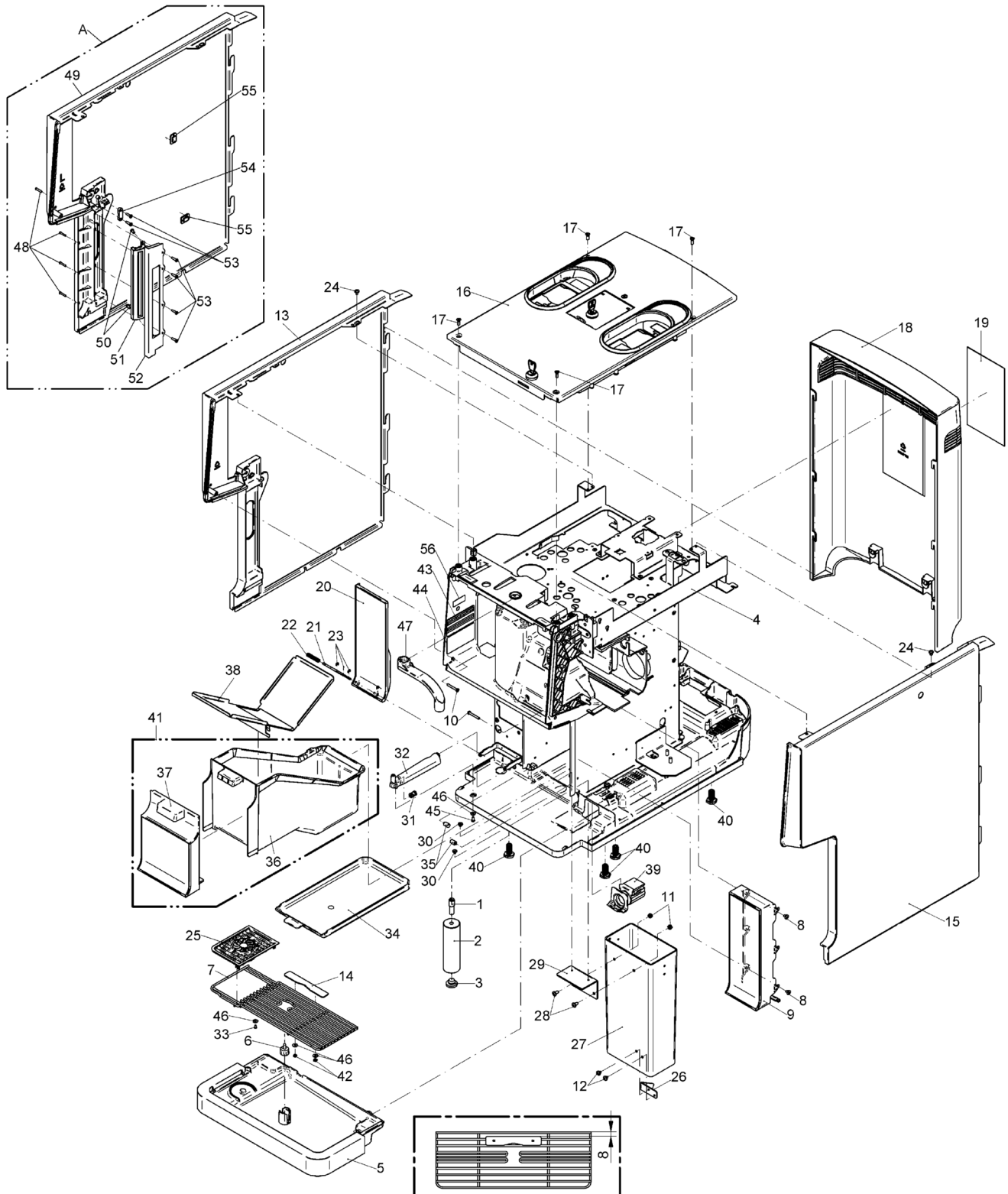
| <b>Blatt<br/>Sheet</b> | <b>Bezeichnung</b>           | <b>Designation</b>                    | <b>Seite<br/>Page</b> |
|------------------------|------------------------------|---------------------------------------|-----------------------|
| 201                    | Verkleidungsteile            | cover parts                           | 2                     |
| 202                    | Bedienblende                 | operating panel                       | 10                    |
| 203                    | Einbauteile, links           | mounting parts, left                  | 16                    |
| 204                    | Einbauteile, rechts          | mounting parts, right                 | 22                    |
| 208                    | Magnetventile, einzeln       | Teileliste_Magnetventil-Einzelventile | 30                    |
| 209                    | Magnetventile, verkettet     | solenoid valve, linkable              | 34                    |
| 210                    | Heißwasserboiler             | hot water boiler                      | 38                    |
| 211                    | Dampfkessel                  | steam boiler                          | 44                    |
| 212                    | Brüher                       | brewer                                | 48                    |
| 213                    | Brüher mit Antrieb           | brewer with drive                     | 52                    |
| 214                    | Mühle                        | grinder                               | 56                    |
| 215                    | Auslauf                      | spout                                 | 60                    |
| 219                    | Easy Milk                    | Easy Milk                             | 70                    |
| 220                    | Dynamic Milk                 | Dynamic Milk                          | 72                    |
| 221                    | Maschinendeckel              | top cover                             | 76                    |
| 222                    | Produktbehälter Bohnen, groß | product hopper beans, large           | 82                    |
| 223                    | Pulverbehälter, groß         | powder hopper, large                  | 84                    |
| 224                    | Pulverbehälter, Twin, groß   | powder hopper, twin, large            | 88                    |
| 226                    | CM Gateway                   | CM gateway                            | 92                    |
| 228                    | Sirup                        | syrup                                 | 94                    |
| 230                    | Münzprüfer                   | coin checker                          | 96                    |
| 231                    | Münzwechsler                 | coin changer                          | 100                   |
| 232                    | Kartenleser                  | card reader                           | 104                   |
| 240                    | Nachrüstsätze                | retrofit kits                         | 106                   |



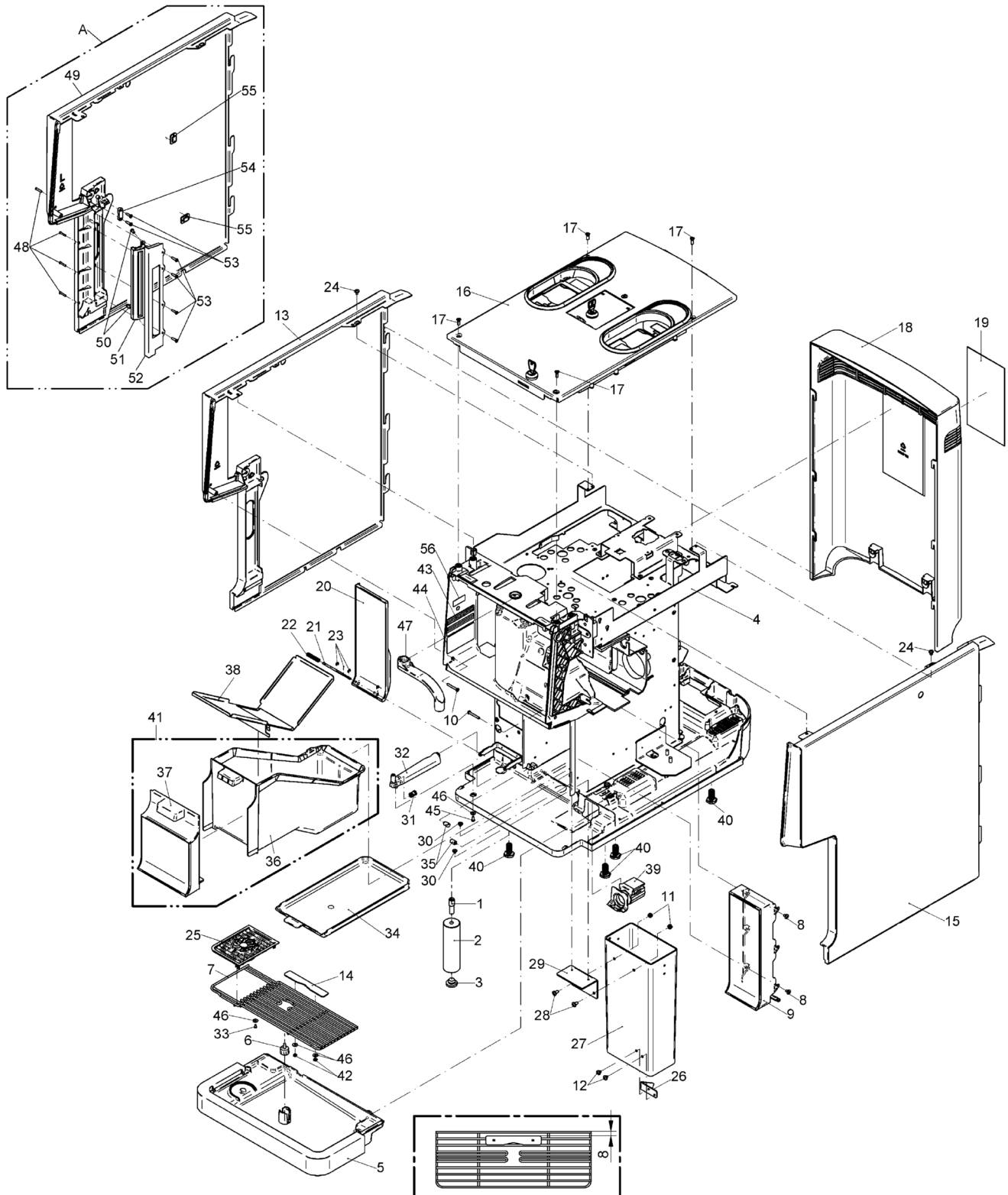
| Pos. | Art.-Nr.<br>Art. no. | Bezeichnung<br>Tech-Info<br>Service-Info  | Designation<br>Tech-Info<br>Service-Info  | EA1 | EA2 |
|------|----------------------|---|---|-----|-----|
| 1    | 33.9471.0000         | Bolzen<br>M8-M10, Ausführung mit Füßen  | bolt<br>M8-M10, model with feet   | -   | -   |
| 2    | 33.2369.0000         | Fuß, 100 mm<br>Ausführung mit Füßen   | foot, 100 mm<br>model with feet   | -   | -   |
| 3    | 33.1389.3000         | Fuß<br>Ausführung mit Füßen   | foot<br>model with feet   | -   | -   |
| 5    | 33.2633.7000         | Tropfschale   | drip tray   | -   | 1   |
| 5    | 33.2633.7100         | Tropfschale<br>SteamJet   | drip tray<br>SteamJet   | -   | -   |
| 6    | 33.2643.2000         | Schwimmer   | float   | -   | 3   |
| 7    | 33.2633.8000         | Tropfgitter   | drip grid   | -   | 1   |
| 7    | 33.2633.8100         | Tropfgitter<br>Ausführung SteamJet  | drip grid<br>SteamJet model   | -   | -   |
| 8    | 00.0047.3356         | Flkpf-Schraube ISO 7045-M 4x<br>5-1.4301-H  | pan head screw ISO 7045-M 4x<br>5-1.4301-H  | -   | -   |
| 9    | 33.2886.6099         | Blende, rechts<br>kpl., nur Ersatzteil  | aperture, right<br>right complete, spare part only  | -   | -   |
| 10   | 00.0047.3328         | Flkpf-Schraube ISO 7045-M<br>3x25-1.4301-H  | pan head screw ISO 7045-M<br>3x25-1.4301-H  | -   | -   |
| 11   | 00.0047.2098         | Sechskantmutter ISO 10511-M<br>4-1.4301<br>Satz durch Theke   | hexagonnut ISO 10511-M 4-1.4301<br>grounds disposal through counter   | -   | -   |
| 12   | 00.0047.3355         | Flkpf-Schraube ISO 7045-M 4x<br>4-1.4301-H<br>Satz durch Theke, USA/Kanada                                      | pan head screw ISO 7045-M 4x<br>4-1.4301-H<br>grounds disposal through counter,<br>USA/Canada                     | -   | -   |
| 13   | 33.2881.5099         | Seitenwand, links<br>kpl., nur Ersatzteil   | side cover, left<br>compl. , spare part only  | -   | -   |
| 14   | 33.2695.3000         | Tassenanschlag<br>Ausführung Tassenanschlag   | cup stop<br>double, Cup stop model  | -   | -   |
| 15   | 33.2881.4099         | Seitenwand, rechts<br>kpl., nur Ersatzteil  | side cover, right<br>compl. , spare part only   | -   | -   |
| 17   | 00.0047.3120         | Senkschraube ISO 7046-2-M<br>4x16-1.4301-H  | counter sunk screw ISO 7046-2-M<br>4x16-1.4   | -   | -   |
| 18   | 33.2627.1000         | Rückwand<br>Klebestelle des Teils muss gereinigt<br>und fettfrei sein.<br>Oberflächenspannung mind. 38<br>mN/m. | rear cover<br>adhesive area of the part must be<br>clean and free of grease. surface<br>tension at least 38 mN/m. | -   | -   |



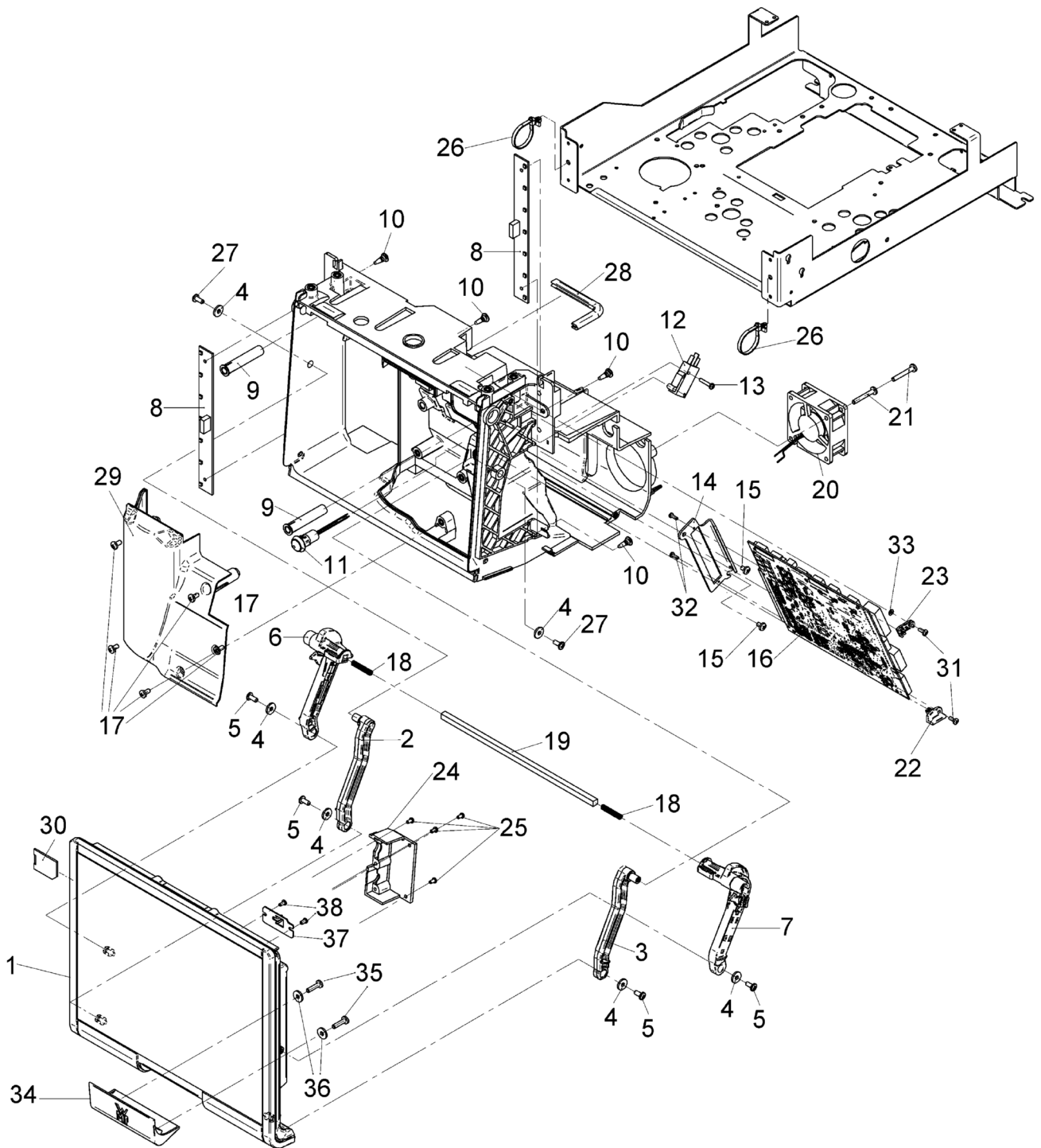
| Pos. | Art.-Nr.<br>Art. no. | Bezeichnung<br>Tech-Info<br>Service-Info                                  | Designation<br>Tech-Info<br>Service-Info   | EA1 | EA2 |
|------|----------------------|---|--|-----|-----|
| 19   | 33.2631.3000         | WMF-Logo<br>Abzugskraft nach 72h Ruhezeit nach<br>Klebung: 1200N          | WMF Logo<br>pull-off force after 72 h rest time after<br>applying adhesive: 1200 N | -   | -   |
| 20   | 33.2886.5099         | Tür, links<br>mit Blende, nur Ersatzteil                                  | door, left<br>with orifice   | -   | -   |
| 21   | 33.2658.6000         | Welle<br>3 mm   | shaft<br>3 mm  | -   | -   |
| 22   | 33.1245.7000         | Feder   | spring   | -   | -   |
| 23   | 00.0047.2248         | Sicherungsscheibe DIN 6799-2,<br>3-1.4122                                 | locking washer DIN 6799-2.3-1.4122   | -   | -   |
| 24   | 00.0047.3357         | Flkopf-Schraube ISO 7045-M 4x<br>5-A2-H-Spv.                              | pan head screw ISO 7045-M 4x<br>5-A2-H-Spv.  | -   | -   |
| 25   | 33.2638.0100         | Dampfplatte<br>Ausführung SteamJet  | steam plate<br>SteamJet model  | -   | -   |
| 26   | 33.4088.9000         | Winkel<br>Eingreifschutz, Satz durch Theke,<br>USA/Kanada                 | angle<br>intervening protectio, disposal<br>through counter, USA/Canada            | -   | -   |
| 27   | 33.1283.1100         | Rohr<br>Satz durch Theke  | pipe<br>grounds disposal through counter   | -   | -   |
| 28   | 00.0047.3361         | Flkopf-Schraube ISO 7045-M 4x<br>8-1.4301-H<br>Satz durch Theke           | pan head screw ISO 7045-M 4x<br>8-1.4301-H<br>grounds disposal through counter     | -   | -   |
| 29   | 33.2657.6000         | Winkel<br>Befestigung, Satz durch Theke                                   | angle<br>fastening, grounds disposal through<br>counter                            | -   | -   |
| 30   | 00.0047.1250         | Flachkopfschraube DIN 921-M 3x<br>4-1.4301<br>Satz durch Theke            | pan head screw DIN 921-M 3x<br>4-1.4301<br>grounds disposal through counter        | -   | -   |
| 31   | 33.2404.5000         | Formdichtung<br>Ausführung SteamJet                                       | gasket<br>SteamJet model   | -   | -   |
| 32   | 33.2640.8000         | Dampfdüse<br>Ausführung SteamJet  | steam nozzle<br>SteamJet model   | -   | -   |
| 33   | 00.0047.3625         | EJOT PT-Schraube KA 3.0x 6-WN<br>1412-A2<br>Ausführung SteamJet           | EJOT PT-screw KA 3.0x 6-WN<br>1412-A2<br>SteamJet model                            | -   | -   |
| 34   | 33.2633.9100         | Schieber, Satzbehälter<br>Satz durch Theke                                | slider, grounds container<br>grounds disposal through counter                      | -   | -   |
| 34   | 33.2633.9000         | Schieber, Satzbehälter  | slider, grounds container  | -   | 1   |
| 35   | 33.2673.2000         | Stift<br>eingeklebt mit<br>Kleber-Chemloc-S-242, Mat.-Nr. 00<br>0048 4924 | stud<br>glued-in with Chemloc-S-242,<br>material number 00 0048 4924               | -   | -   |



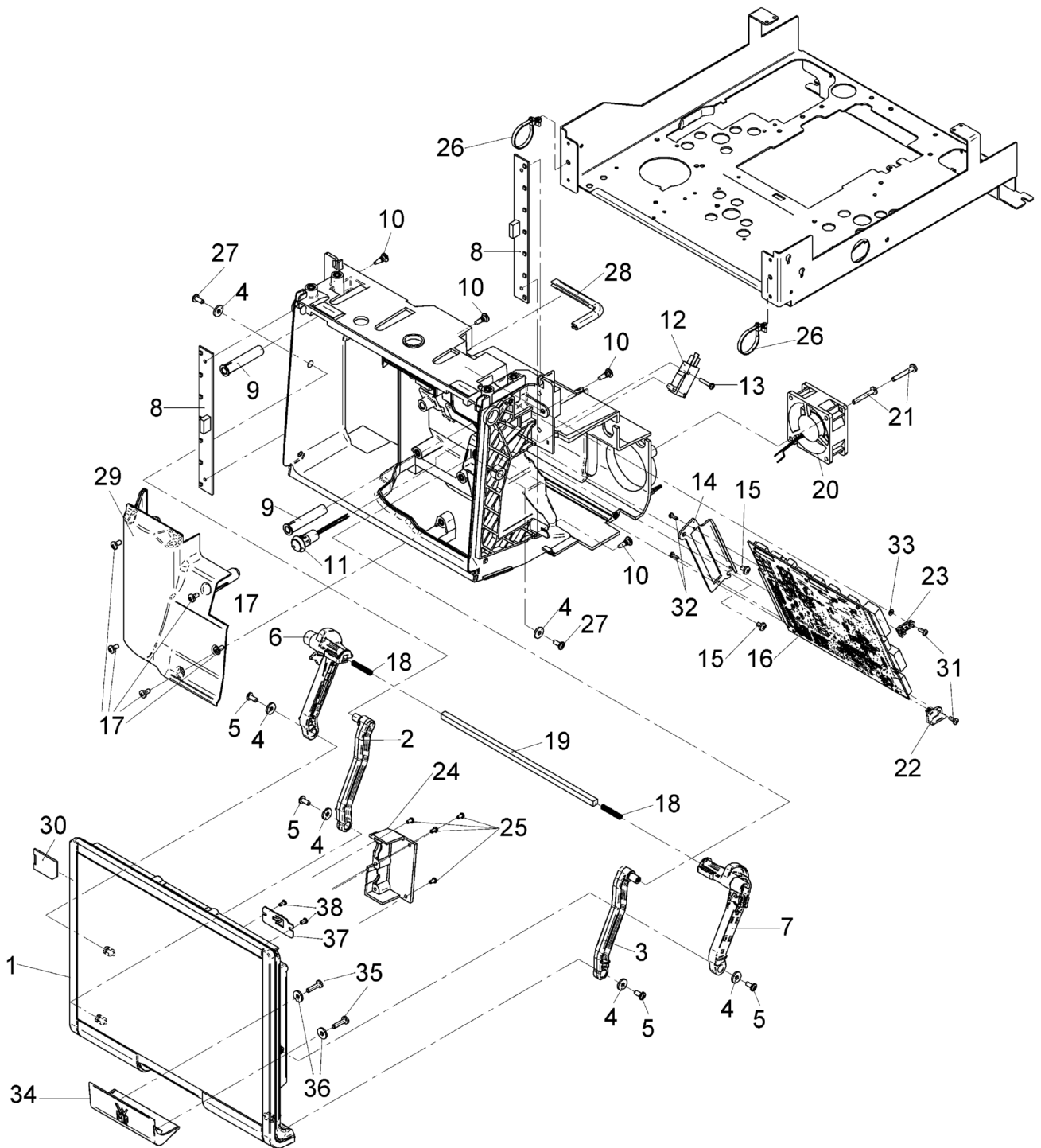
| Pos. | Art.-Nr.<br>Art. no. | Bezeichnung<br>Tech-Info<br>Service-Info                              | Designation<br>Tech-Info<br>Service-Info                                 | EA1 | EA2 |
|------|----------------------|---|--|-----|-----|
| 36   | 33.2634.1200         | Satzbehälter  | grounds container  | -   | -   |
| 36   | 33.2634.1300         | Satzbehälter, Satz durch Theke<br>nur bei Satz durch Theke            | CGC, disposal through counter<br>only ground disposal through counter    | -   | -   |
| 37   | 33.2884.5099         | Blende, Satzbehälter<br>nur Ersatzteil                                | cover panel, grounds container<br>compl. , spare part only               | -   | -   |
| 38   | 33.2688.4000         | Winkel<br>Satz durch Theke  | angle<br>grounds disposal through counter                                | -   | -   |
| 39   | 33.2684.6000         | Kupplungstülle  | coupling grommet   | -   | 3   |
| 40   | 33.2242.2000         | Einschraubfuß<br>gummiert   | threaded foot<br>rubberized  | -   | -   |
| 41   | 33.2887.1300         | Satzbehälter<br>mit Blende, kpl., Satz durch Theke,<br>nur Ersatzteil | grounds container<br>with apereture, disposal through<br>counter, compl. | -   | -   |
| 41   | 33.2887.1200         | Satzbehälter<br>mit Blende, kpl., nur Ersatzteil                      | grounds container<br>with orifice, compl.                                | -   | 1   |
| 42   | 00.0047.2046         | Sechskantmutter ISO 4032-M<br>3-1.4301<br>Ausführung Tassenanschlag   | hexagonnut ISO 4032-M 3-1.4301<br>cup stop model                         | -   | -   |
| 44   | 33.2030.8000         | Schild<br>Modifikation  | label<br>modification  | -   | -   |
| 45   | 00.0047.3640         | EJOT PT-Schraube KA 30x 8-WN<br>1411-A2<br>Ausführung SteamJet        | EJOT PT-screw KA 30x 8-WN<br>1411-A2<br>SteamJet model                   | -   | -   |
| 46   | 00.0047.2193         | Scheibe ISO<br>7093-1-3-200HV-1.4300<br>Ausführung Tassenanschlag     | washer ISO 7093-1-3-200HV-1.4300<br>cup stop model                       | -   | -   |
| 47   | 33.4180.3000         | Hebel   | lever  | -   | -   |
| 48   | 00.0047.3669         | EJOT PT-Shr. KA 25x14-WN<br>1412-H-A2 Kleve                           | EJOT PT-screw KA 25x14-WN<br>1412-H-A2                                   | -   | -   |
| 49   | 33.2881.5299         | Seitenwand, links, kpl.   | side cover, left, compl.   | -   | -   |
| 50   | 00.0047.3640         | EJOT PT-Schraube KA 30x 8-WN<br>1411-A2                               | EJOT PT-screw KA 30x 8-WN<br>1411-A2                                     | -   | -   |
| 51   | 33.7007.5300         | Tassensensor  | cup sensor   | -   | -   |
| 52   | 33.4263.6000         | Abdeckung   | cover  | -   | -   |
| 53   | 00.0047.3667         | EJOT PT-Schraube KA 30x12-WN<br>1411-H-A2                             | EJOT PT-screw KA 30x12-WN<br>1411-H-A2                                   | -   | -   |



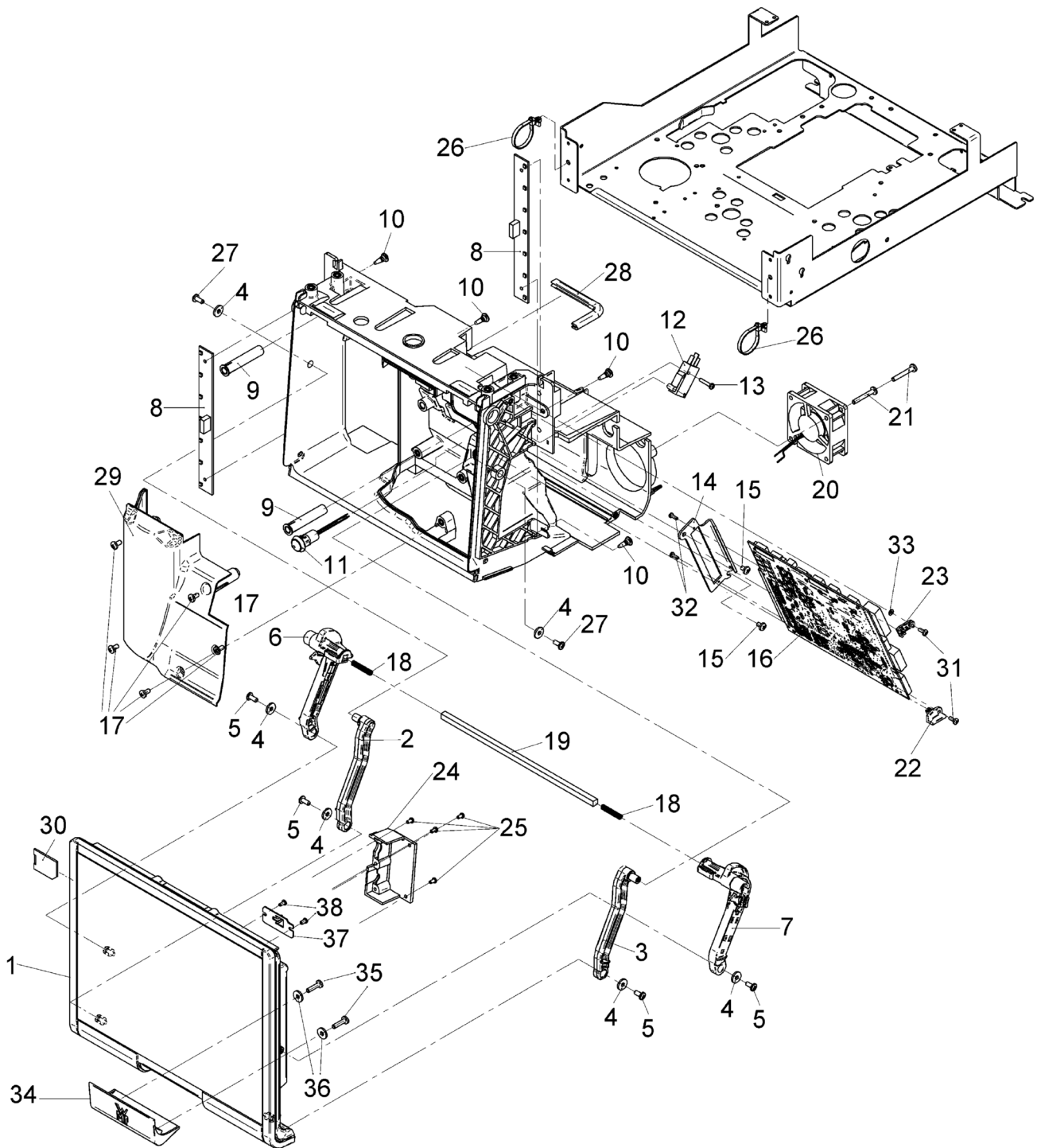
| <b>Pos.</b> | <b>Art.-Nr.<br/>Art. no.</b> | <b>Bezeichnung<br/>Tech-Info<br/>Service-Info</b>                         | <b>Designation<br/>Tech-Info<br/>Service-Info</b>                      | <b>EA1</b> | <b>EA2</b> |
|-------------|------------------------------|---|--|------------|------------|
| 54          | 33.4264.7000                 | Zugentlastungsschelle   | strain relief clamp  | -          | -          |
| 55          | 33.4276.9000                 | Kabelbefestigung  | cable attachment   | -          | -          |
| 99          | 33.4199.6000                 | Kabelsatz, Verlängerung<br>nur bei Ausführung Tassensensor                | cable set, extension<br>only for version cup sensor                    | -          | -          |
| A           | 33.4714.7099                 | Seitenwand, links, kpl.<br>Ersatzteil, nur für Ausführung<br>Tassensensor | side cover, left, compl.<br>Spare part, only for version cup<br>sensor | -          | -          |



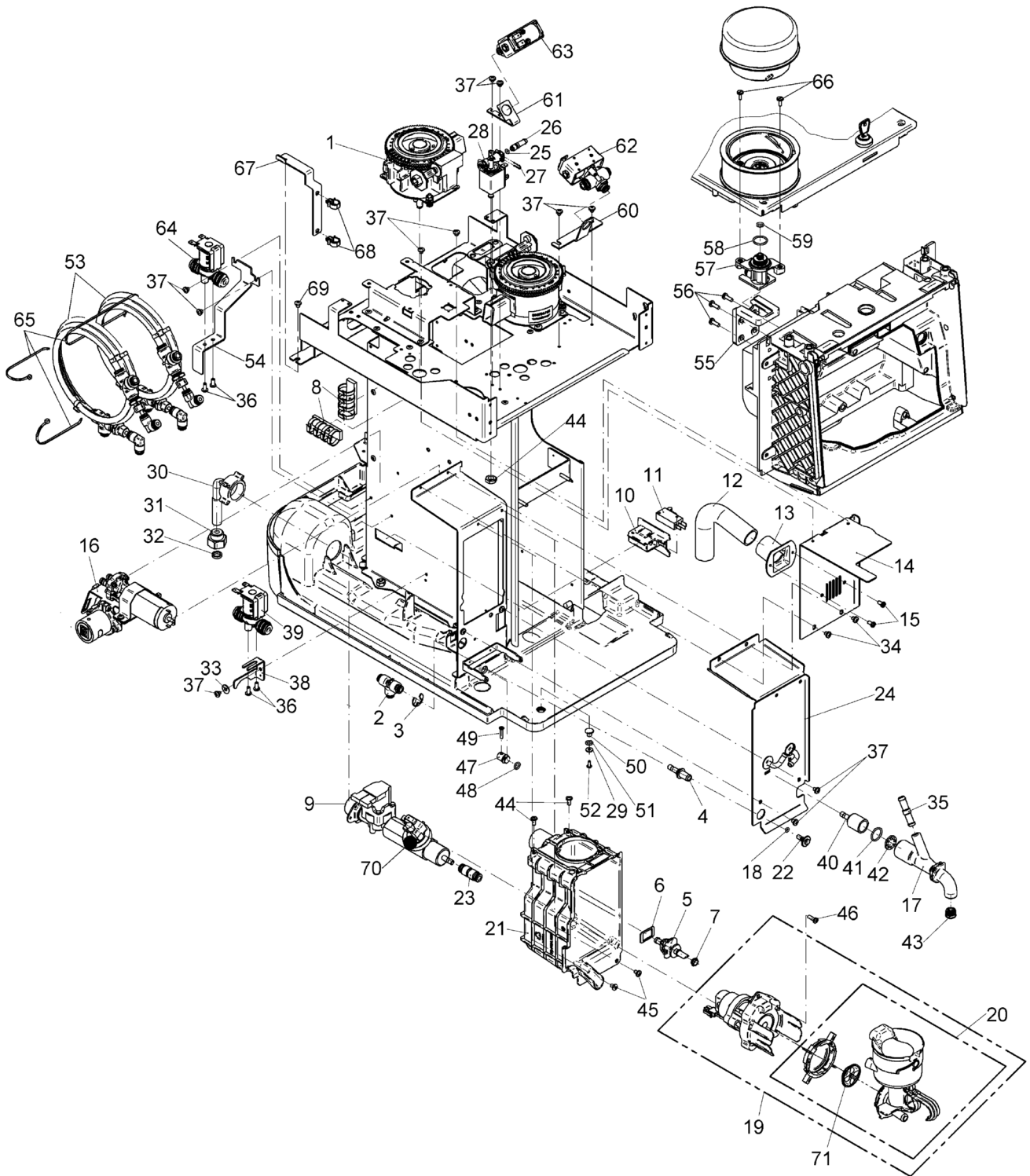
| Pos. | Art.-Nr.<br>Art. no. | Bezeichnung<br>Tech-Info<br>Service-Info                          | Designation<br>Tech-Info<br>Service-Info                    | EA1 | EA2 |
|------|----------------------|---|---|-----|-----|
| 1    | 33.4126.0099         | Bedienpanel FL E-Teil   | panel FL spare part   | -   | 1   |
| 2    | 33.2641.2000         | Hebel, unten, links   | lever, bottom, left   | -   | -   |
| 3    | 33.2658.5000         | Hebel, unten, rechts  | lever, bottom, right  | -   | -   |
| 4    | 00.0047.2189         | Scheibe 4,3 DIN 7349-1.4301                                       | washer 4,3 DIN 7349-1.4301                                  | -   | -   |
| 5    | 00.0047.3653         | EJOT PT-Schraube KA 40x10 WN<br>1411-A2<br>Anzugsmoment 1,5 Nm    | EJOT PT-screw KA 40x10 WN<br>1411-A2<br>torque 1.5Nm        | -   | -   |
| 6    | 33.2885.3000         | Hebel, links  | lever, left   | -   | -   |
| 7    | 33.2885.3100         | Hebel, rechts   | lever, right  | -   | -   |
| 8    | 33.2464.2100         | Flachbaugruppe LED<br>Beleuchtung                                 | Flat module LED<br>illumination                             | -   | -   |
| 9    | 33.2640.9000         | Dämpfer   | damper  | -   | -   |
| 10   | 33.2494.9000         | Distanzhalter   | spacer  | -   | -   |
| 11   | 33.2629.0000         | Netztaster  | power button  | -   | -   |
| 12   | 33.2217.2000         | Mikroschalter<br>Frontblende                                      | micro switch<br>operating panel                             | -   | -   |
| 13   | 00.0047.3322         | Flkpf-Schraube ISO 7045-M<br>3x16-1.4301-H<br>Anzugsmoment 1,0 Nm | pan head screw ISO 7045-M<br>3x16-1.4301-H<br>torque 1.0 Nm | -   | -   |
| 14   | 33.4180.5000         | Halter_Karte_Leistungsstufe                                       | card holder_power supply                                    | -   | -   |
| 15   | 00.0047.3358         | Flkpf-Schraube ISO 7045-M 4x<br>6-1.4301-H                        | pan head screw ISO 7045-M 4x<br>6-1.4301-H                  | -   | -   |
| 16   | 33.4099.0499         | Leistungsstufe  | power stage   | -   | -   |
| 17   | 00.0047.3361         | Flkpf-Schraube ISO 7045-M 4x<br>8-1.4301-H                        | pan head screw ISO 7045-M 4x<br>8-1.4301-H                  | -   | -   |
| 18   | 33.2657.7000         | Feder   | spring  | -   | -   |
| 19   | 33.2657.8000         | Vierkantstange  | sqare bar steel   | -   | -   |



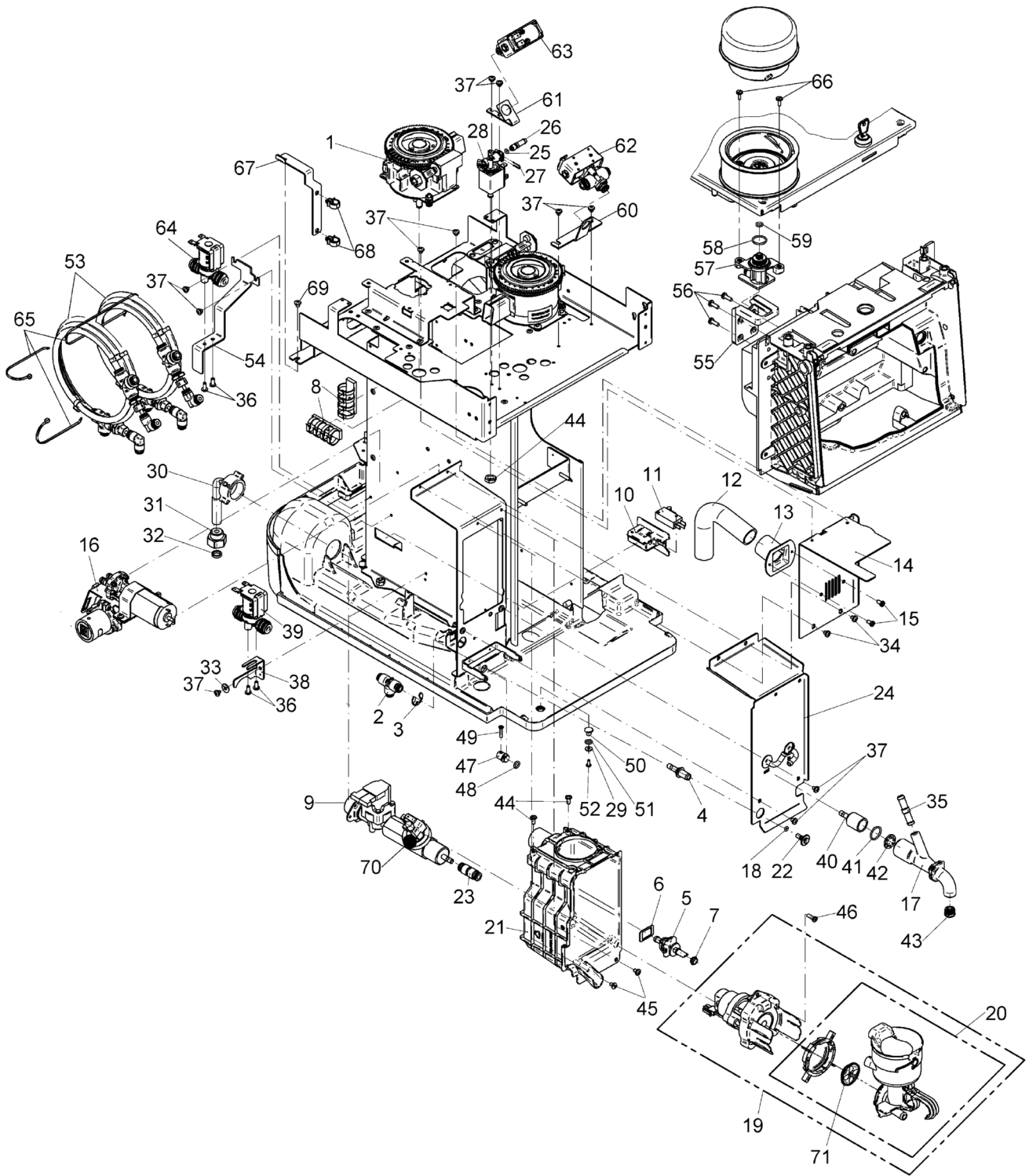
| Pos. | Art.-Nr.<br>Art. no. | Bezeichnung<br>Tech-Info<br>Service-Info                       | Designation<br>Tech-Info<br>Service-Info                   | EA1 | EA2 |
|------|----------------------|--|--|-----|-----|
| 20   | 33.1662.1200         | Ventilator   | fan  | -   | -   |
| 21   | 00.0047.3371         | Flkpf-Schraube ISO 7045-M<br>4x28-1.4301-H                     | pan head screw ISO 7045-M<br>4x28-1.4301-H                 | -   | -   |
| 22   | 33.4181.0000         | Fixierung_Leistungsstufe_unten                                 | fixing_power supply_bottom                                 | -   | -   |
| 23   | 33.4181.4000         | Fixierung_Leistungsstufe_oben                                  | fixing_power_supply_top                                    | -   | -   |
| 24   | 33.2631.4000         | Abdeckung<br>bei CM-Gateway: an Sollbruchstelle<br>ausbrechen  | cover<br>for CM-Gateway: break out at rated<br>break point | -   | -   |
| 25   | 00.0047.3640         | EJOT PT-Schraube KA 30x 8-WN<br>1411-A2<br>Anzugsmoment 0,7 Nm | EJOT PT-screw KA 30x 8-WN<br>1411-A2<br>torque 0.7 Nm      | -   | -   |
| 26   | 33.1691.1000         | Kabelbinder  | cable clip   | -   | -   |
| 27   | 00.0047.3653         | EJOT PT-Schraube KA 40x10 WN<br>1411-A2<br>Anzugsmoment 2,3 Nm | EJOT PT-screw KA 40x10 WN<br>1411-A2<br>torque 2.3 Nm      | -   | -   |
| 28   | 00.0048.0093         | Kantenschutz PVC schwarz Klemb.<br>1,0 mm<br>120 mm lang       | edge protection PVC black clamp. 1,<br>0 mm<br>120 mm      | -   | -   |
| 29   | 33.4180.1000         | Abdeckung-Kopfteil-1920-1950                                   | Cap-Head-1920-1950   | -   | -   |
| 30   | 33.4157.3000         | Micro-SD-Karte   | micro SD card  | -   | -   |
| 31   | 00.0047.3319         | Flkpf-Schraube ISO 7045-M<br>3x10-1.4301-H                     | pan head screw ISO 7045-M<br>3x10-1.4301-H                 | -   | -   |
| 32   | 00.0047.3308         | Flkpf-Schraube ISO 7045-M2,5x<br>8-1.4301-H                    | pan head screw ISO 7045-M2,5x<br>8-1.4301-H                | -   | -   |
| 33   | 33.4189.2000         | Schraubensicherung   | screw locker   | -   | -   |
| 34   | 33.4183.3000         | Logo   | logo   | -   | -   |
| 34   | 33.4183.3100         | Logo, neutral<br>neutral                                       | logo, neutral<br>neutral                                   | -   | -   |
| 35   | 00.0047.3365         | Flkpf-Schraube ISO 7045-M<br>4x16-1.4301-H                     | pan head screw ISO 7045-M<br>4x16-1.4301-H                 | -   | -   |
| 36   | 00.0047.2189         | Scheibe 4,3 DIN 7349-1.4301                                    | washer 4,3 DIN 7349-1.4301                                 | -   | -   |
| 37   | 33.4183.8000         | Winkel, abschliessbare Frontblende                             | angle_lockable_front panel                                 | -   | -   |



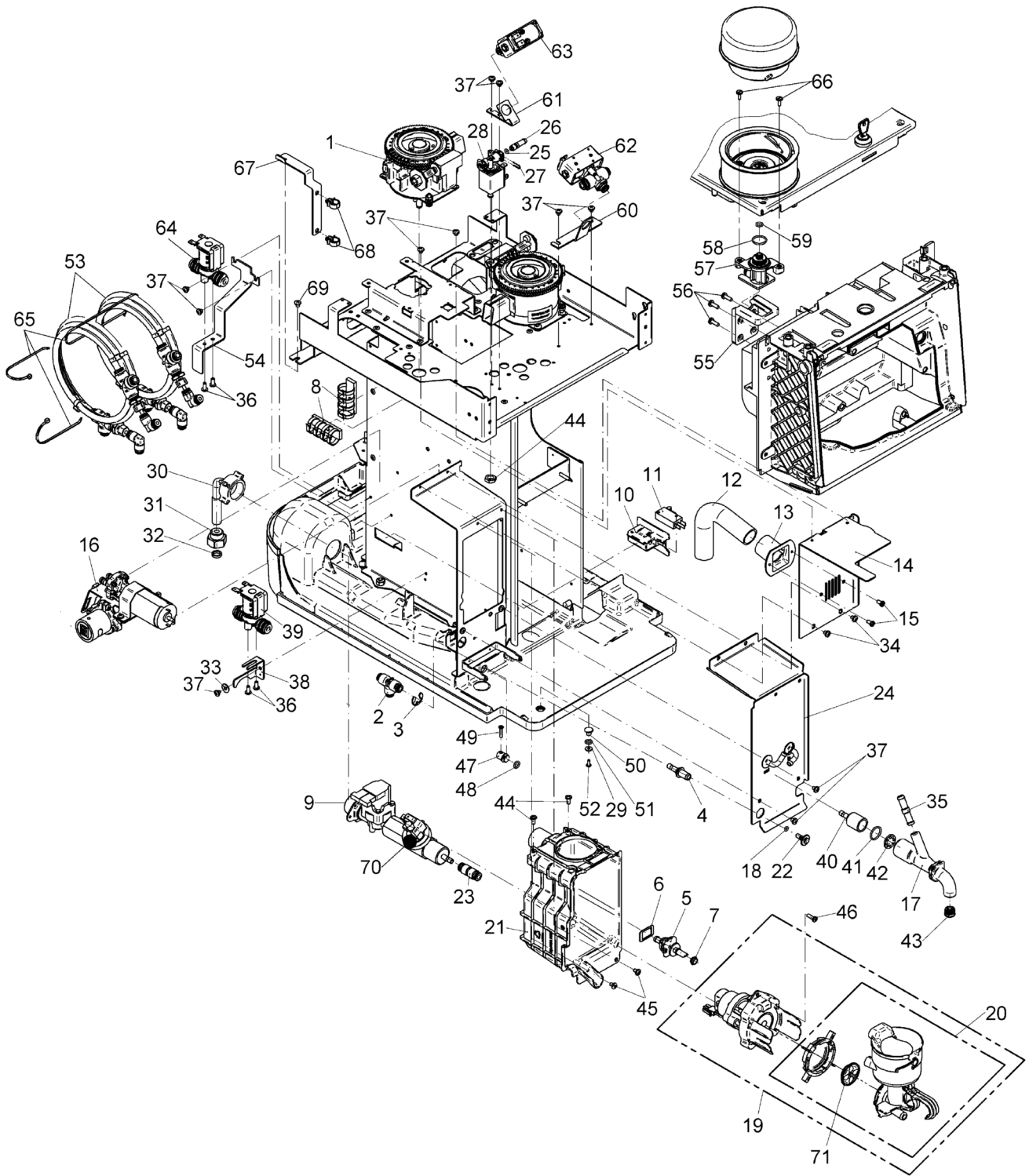
| <b>Pos.</b> | <b>Art.-Nr.<br/>Art. no.</b> | <b>Bezeichnung<br/>Tech-Info<br/>Service-Info</b> | <b>Designation<br/>Tech-Info<br/>Service-Info</b> | <b>EA1</b> | <b>EA2</b> |
|-------------|------------------------------|---|---|------------|------------|
| 38          | 00.0047.3625                 | EJOT PT-Schraube KA 3.0x 6-WN<br>1412-A2          | EJOT PT-screw KA 3.0x 6-WN<br>1412-A2             | -          | -          |



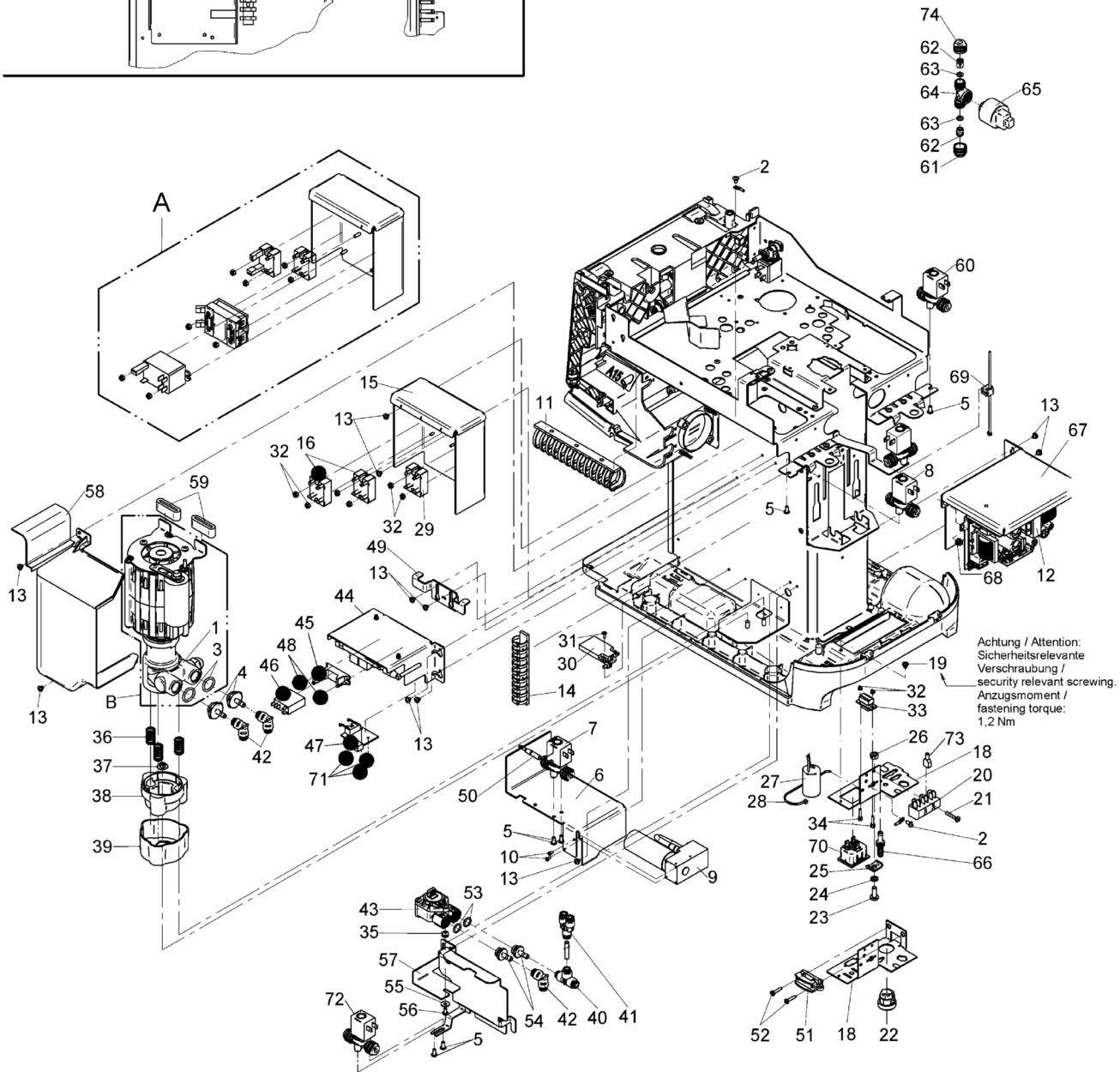
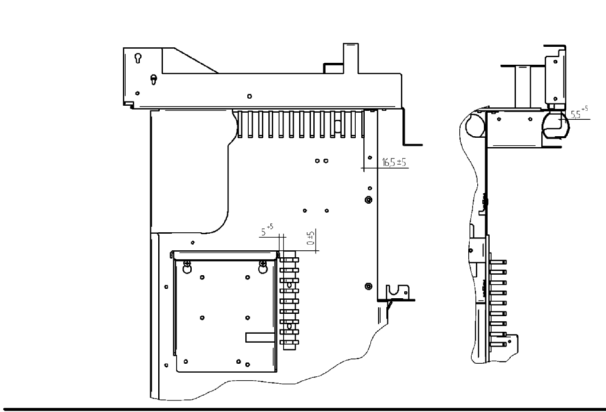
| Pos. | Art.-Nr.<br>Art. no. | Bezeichnung<br>Tech-Info<br>Service-Info                                   | Designation<br>Tech-Info<br>Service-Info                        | EA1 | EA2 |
|------|----------------------|--|---|-----|-----|
| 2    | 33.1445.7000         | Steckanschluss T 6-6-6   | plug-in connection T 6-6-6                                      | -   | -   |
| 3    | 00.0047.2247         | Sicherungsscheibe DIN 6799-9-4122  | locking washer DIN 6799- 9-4122                                 | -   | -   |
| 4    | 33.2508.7200         | Nippel   | plug  | -   | -   |
| 5    | 33.4075.1000         | Schlauchanschluss<br>nur bei Pulver  | hose connector<br>for powder only                               | -   | 1   |
| 6    | 33.4158.0000         | Klammer<br>nur bei Pulver  | clamp<br>for powder only  | -   | 1   |
| 7    | 33.4131.0000         | Dichtung<br>nur bei Pulver   | seal<br>for powder only   | -   | 1   |
| 9    | 33.2822.7899         | Sicherheitsgruppe  | safety group  | -   | -   |
| 10   | 33.2673.5000         | Halterung  | holder  | -   | -   |
| 11   | 33.2217.2000         | Mikroschalter  | micro switch  | -   | 1   |
| 12   | 00.0048.0042         | Ablaufschlauch DN 19 PP grau<br>150 mm lang, bei Ausführung mit<br>Pulver  | discharge hose DN 19 PP grey<br>150 mm, for version with powder | -   | -   |
| 12   | 00.0048.0042         | Ablaufschlauch DN 19 PP grau<br>180 mm lang, bei Ausführung ohne<br>Pulver | discharge hose DN 19 PP grey<br>180 mm, for version with powder | -   | -   |
| 13   | 33.4050.8000         | Haube  | cover   | -   | -   |
| 14   | 33.2658.9000         | Winkel<br>nur bei ohne Pulver  | angle<br>for version w/o powder only                            | -   | -   |
| 15   | 00.0047.3627         | EJOT PT-Schraube KA 40x 8-WN<br>1412-A2                                    | EJOT PT-screw KA 40x 8-WN<br>1412-A2                            | -   | -   |
| 17   | 33.4026.8000         | Entspannteil   | release   | -   | -   |
| 18   | 33.0398.5000         | O-Ring 2,90x1,78 EPDM  | O-ring, 2.90x1.78 EPDM  | -   | -   |
| 19   | 33.2895.6000         | Mixer<br>nur bei Pulver  | mixer<br>powder only  | -   | -   |
| 20   | 33.2895.4000         | Mixerbecher, kpl.<br>nur bei Pulver  | mixer bowl, compl.<br>powder only                               | -   | 1   |
| 22   | 33.2508.8000         | Verschlusschraube<br>Entkalkung  | locking screw<br>descaling                                      | -   | -   |



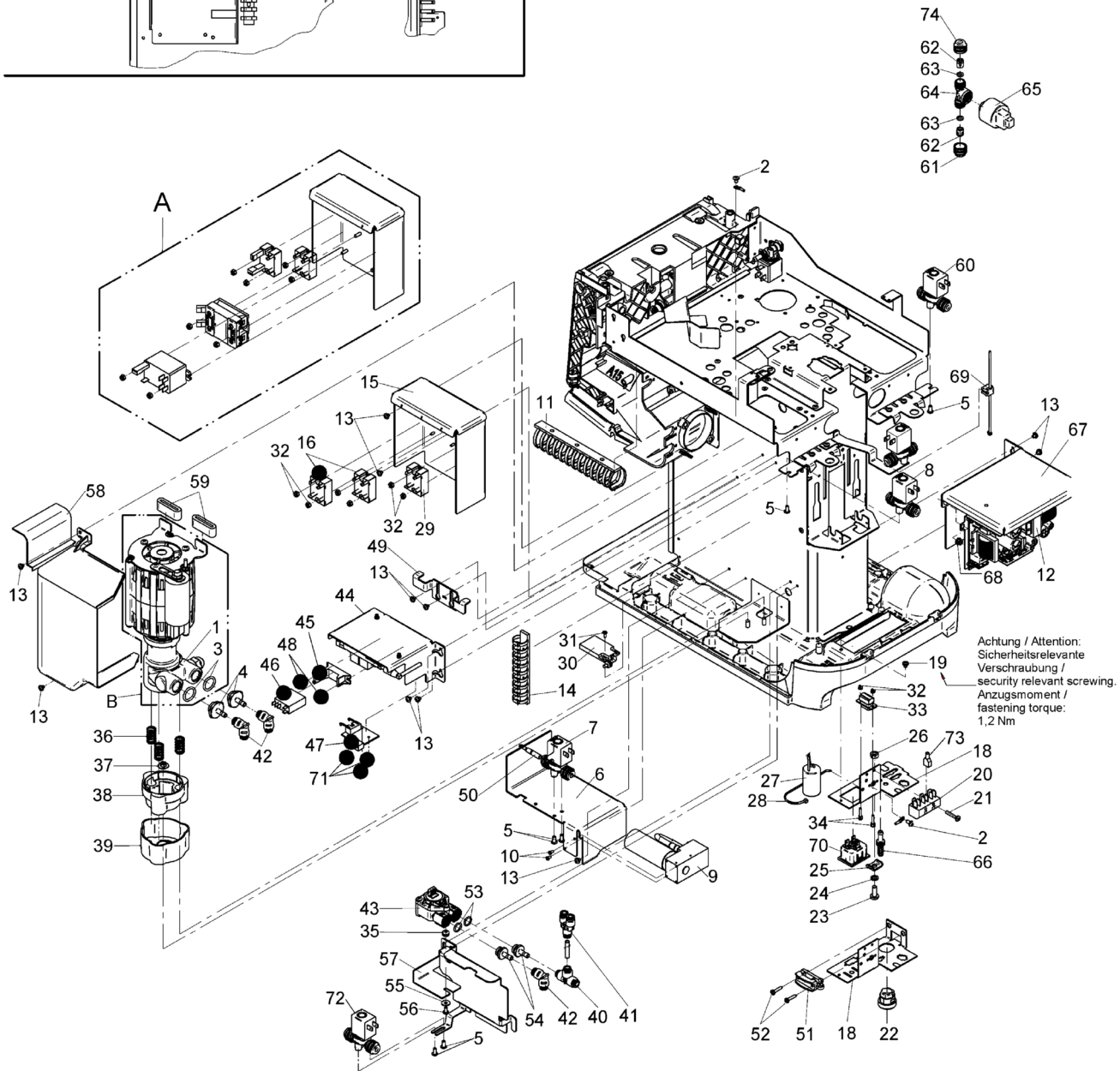
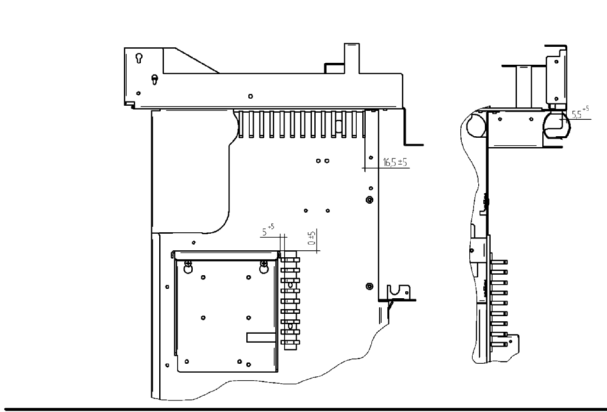
| Pos. | Art.-Nr.<br>Art. no. | Bezeichnung<br>Tech-Info<br>Service-Info                                   | Designation<br>Tech-Info<br>Service-Info                            | EA1 | EA2 |
|------|----------------------|--|---|-----|-----|
| 23   | 33.1402.7000         | Steckanschluss I 6-6<br>gerade 6-6   | plug-in connection I 6-6<br>straight 6-6                            | -   | -   |
| 25   | 33.7006.5192         | O-Ring 3,68x1,78 MVQ   | O-ring, 3.68x1.78 MVQ   | -   | -   |
| 26   | 33.4001.5000         | Nippel, Schlauch<br>Ventilanschluss, nur bei Ausführung<br>Auto/Easy Steam | plug, hose<br>valve connection, for version<br>auto/easy steam only | -   | -   |
| 27   | 33.4002.1000         | Federbügel<br>nur bei Ausführung Auto/Easy Steam                           | spring clip<br>for version auto/easy steam only                     | -   | -   |
| 30   | 33.2292.1000         | Schlauch   | hose  | -   | -   |
| 31   | 33.2537.2000         | Nippel<br>innen 9/16-24 UNEF aussen G3/8A<br>nur bei Ausführung USA        | plug<br>USA version only  | -   | -   |
| 32   | 33.2537.3000         | Dichtung<br>nur bei Ausführung USA   | seal<br>USA version only  | -   | -   |
| 33   | 00.0047.2197         | Scheibe ISO<br>7093-1-4-200HV-1.4301                                       | washer ISO 7093-1-4-200HV-1.4301                                    | -   | -   |
| 34   | 00.0047.3361         | Flkpf-Schraube ISO 7045-M 4x<br>8-1.4301-H                                 | pan head screw ISO 7045-M 4x<br>8-1.4301-H                          | -   | -   |
| 35   | 33.2643.1000         | Schlauchverbinder I<br>gerade  | hose coupling I<br>straight   | -   | -   |
| 36   | 00.0047.3653         | EJOT PT-Schraube KA 40x10 WN<br>1411-A2                                    | EJOT PT-screw KA 40x10 WN<br>1411-A2                                | -   | -   |
| 37   | 00.0047.3355         | Flkpf-Schraube ISO 7045-M 4x<br>4-1.4301-H                                 | pan head screw ISO 7045-M 4x<br>4-1.4301-H                          | -   | -   |
| 38   | 33.4184.0000         | Winkel, Entspannventil   | angle, release valve  | -   | -   |
| 40   | 33.4026.6000         | Nippel   | plug  | -   | -   |
| 41   | 33.1523.3100         | O-Ring 15,60x1,78 EPDM   | O-ring, 15.60x1.78 EPDM   | -   | -   |
| 42   | 33.4026.7000         | Blende   | aperture  | -   | -   |
| 43   | 33.2698.0000         | Tülle, Kondensator, Insert   | spout, condenser, insert  | -   | -   |
| 44   | 00.0047.3653         | EJOT PT-Schraube KA 40x10 WN<br>1411-A2<br>nur bei Pulver                  | EJOT PT-screw KA 40x10 WN<br>1411-A2<br>powder only                 | -   | -   |
| 45   | 00.0047.3358         | Flkpf-Schraube ISO 7045-M 4x<br>6-1.4301-H<br>nur bei Pulver               | pan head screw ISO 7045-M 4x<br>6-1.4301-H<br>powder only           | -   | -   |



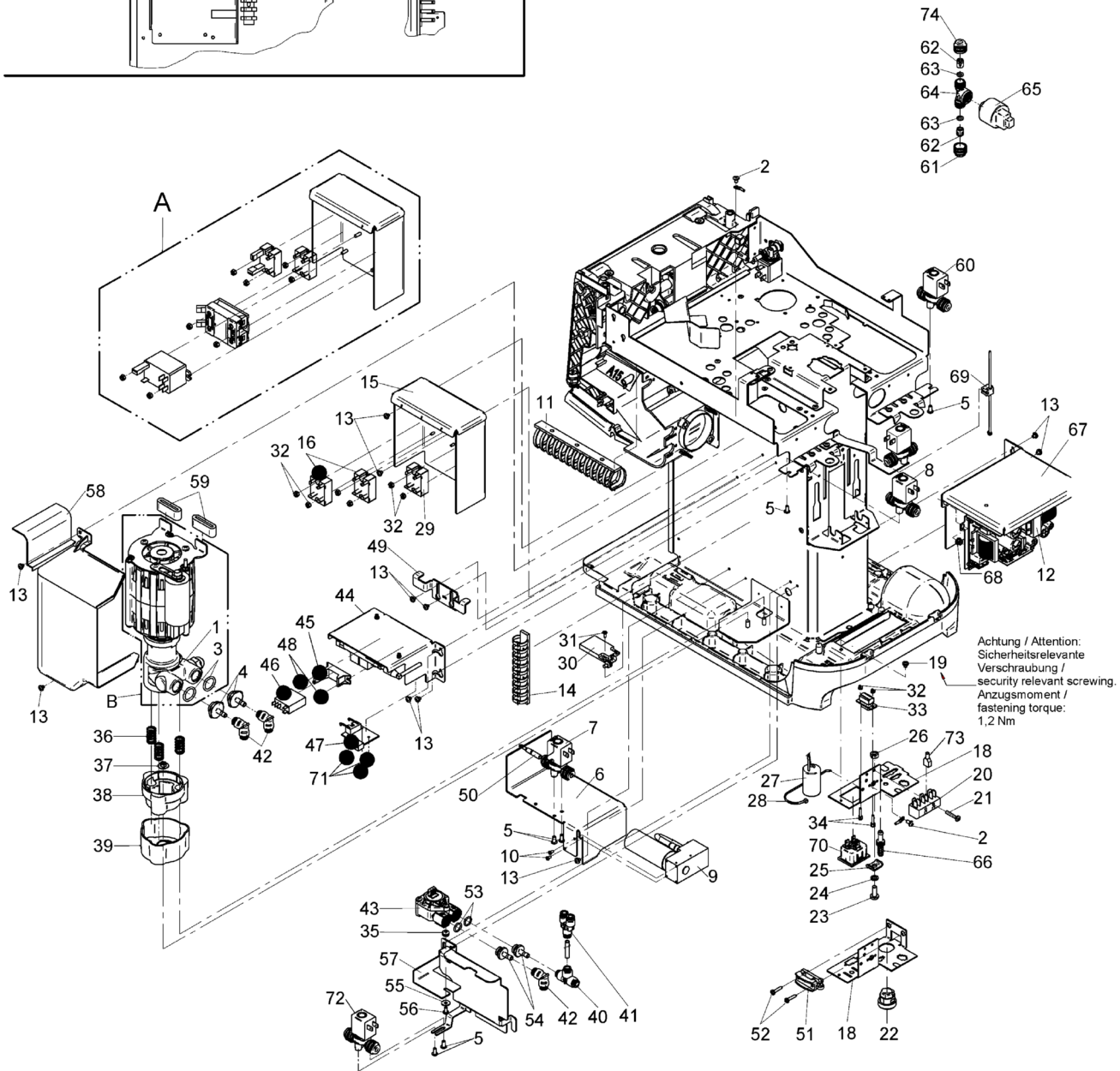
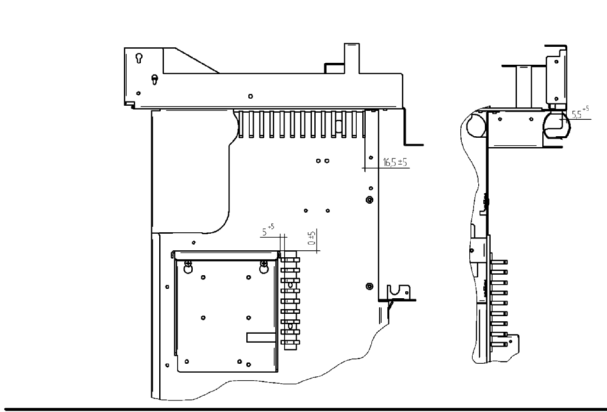
| Pos. | Art.-Nr.<br>Art. no. | Bezeichnung<br>Tech-Info<br>Service-Info                             | Designation<br>Tech-Info<br>Service-Info                           | EA1 | EA2 |
|------|----------------------|--|--|-----|-----|
| 46   | 00.0047.3655         | EJOT PT-Schraube KA 40x12-WN<br>1412-A2<br>nur bei Pulver            | EJOT PT-screw KA 40x12-WN<br>1412-A2<br>powder only                | -   | -   |
| 47   | 33.4185.5000         | Stopfen_schraubbar_DT  | plug_screwable   | -   | -   |
| 48   | 33.7006.3495         | O-Ring 6,75x1,78 MVQ   | O-ring, 6.75x1.78 MVQ  | -   | -   |
| 49   | 00.0047.3642         | EJOT PT-Schraube KA 30x16-WN<br>1411-A2                              | EJOT PT-screw KA 30x16-WN<br>1411-A2                               | -   | -   |
| 50   | 33.4185.6000         | Stopfen_Deckel_kl  | plug_lid_small   | -   | -   |
| 51   | 33.0397.0000         | O-Ring 6,07x1,78 EPDM  | O-ring, 6.07x1.78 EPDM   | -   | -   |
| 52   | 00.0047.3312         | Flkpf-Schraube ISO 7045-M 3x<br>4-A2-H                               | pan head screw ISO 7045-M 3x<br>4-A2-H                             | -   | -   |
| 53   | 33.7007.5607         | Gegenstromkühler einfach<br>nur bei Ausführung Chilled Coffee        | Heat exchanger single<br>only for Chilled Coffee version           | -   | -   |
| 56   | 00.0047.3419         | Flkpf-Schraube ISO 7045-M<br>4x12-1.4301-H<br>nur bei Ausführung FFC | pan head screw ISO 7045-M<br>4x12-1.4301-H<br>only for FFC version | -   | -   |
| 57   | 33.4207.2000         | Schlauchanschluss komplett<br>nur bei Ausführung FFC                 | Tube connector compl<br>only for FFC version                       | -   | -   |
| 58   | 33.1523.3100         | O-Ring 15,60x1,78 EPDM<br>nur bei Ausführung FFC                     | O-ring, 15.60x1.78 EPDM<br>only for FFC version                    | -   | -   |
| 59   | 33.0397.0000         | O-Ring 6,07x1,78 EPDM<br>nur bei Ausführung FFC                      | O-ring, 6.07x1.78 EPDM<br>only for FFC version                     | -   | -   |
| 65   | 33.0649.3000         | Kabelbinder<br>nur bei Ausführung Chilled Coffee                     | cable clip<br>only for Chilled Coffee version                      | -   | -   |
| 66   | 00.0047.1258         | Flachkopfschraube DIN 921-M<br>3x10-A2                               | pan head screw DIN 921-M 3x10-A2                                   | -   | -   |
| 67   | 33.4305.1000         | Winkel, Führung<br>nur bei Ausführung Dynamic Milk                   | angle, guide<br>only for Dynamic Milk version                      | -   | -   |
| 68   | 33.4306.4000         | Kabelhalterung<br>nur bei Ausführung Dynamic Milk                    | cable support<br>only for Dynamic Milk version                     | -   | -   |
| 69   | 00.0047.3357         | Flkpf-Schraube ISO 7045-M 4x<br>5-A2-H-Spv.                          | pan head screw ISO 7045-M 4x<br>5-A2-H-Spv.                        | -   | -   |
| 70   | 33.4216.9000         | Druckschalter Pressure-switch 0.5<br>bar                             | Pressure-switch 0.5 bar  | -   | -   |
| 71   | 33.2895.5000         | Mixerrad-komplett  | mixer wheel compl.   | -   | -   |



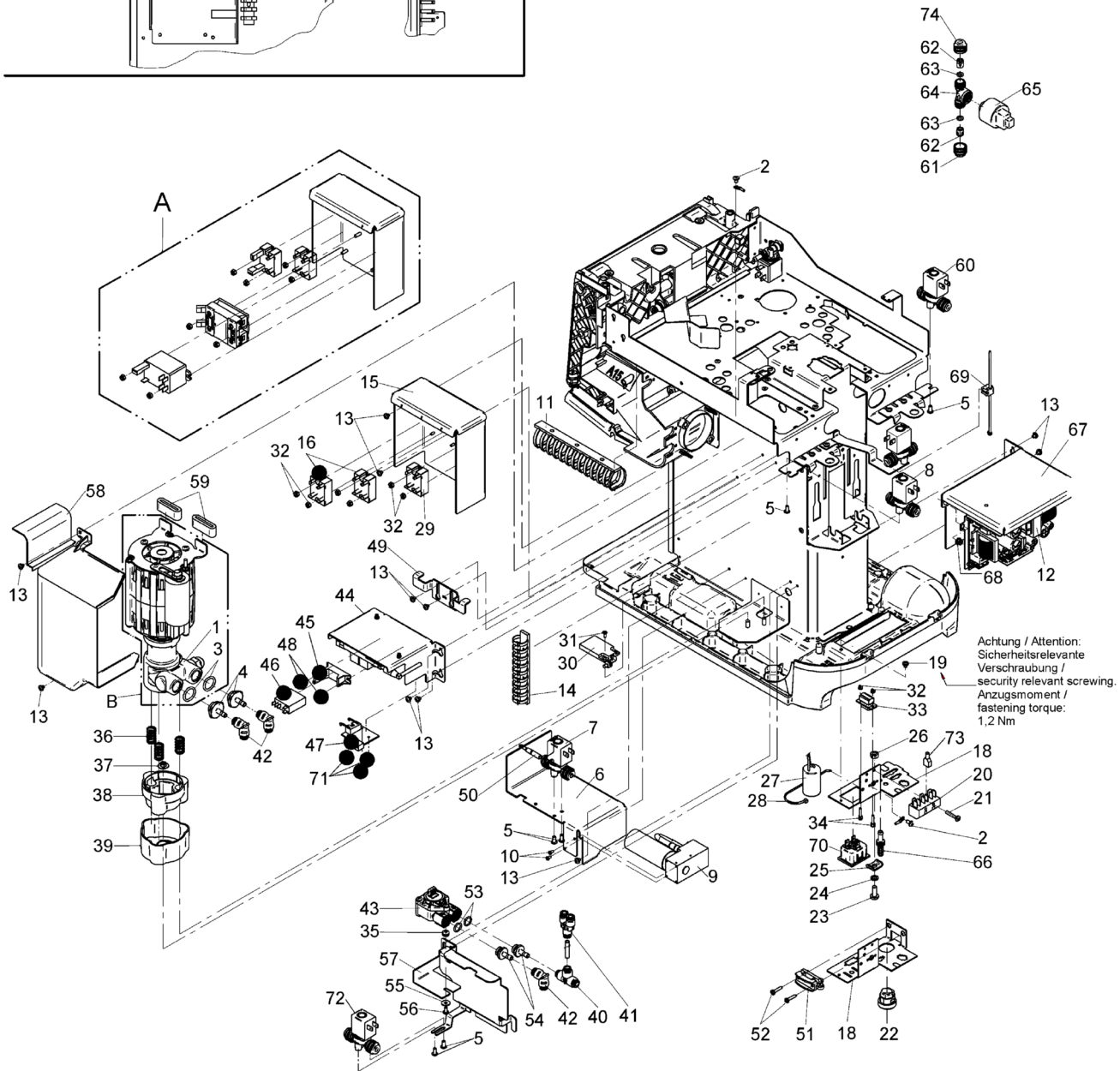
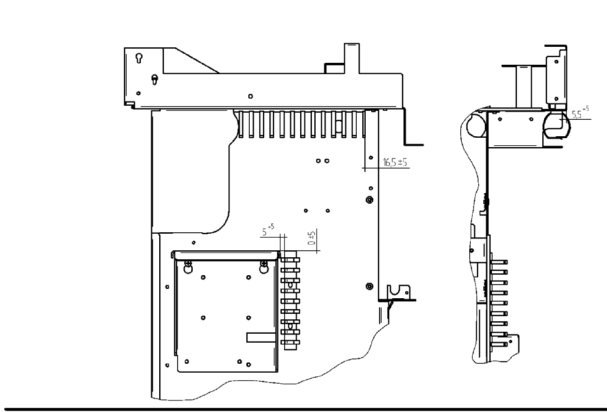
| Pos. | Art.-Nr.<br>Art. no. | Bezeichnung<br>Tech-Info<br>Service-Info                                      | Designation<br>Tech-Info<br>Service-Info                              | EA1 | EA2 |
|------|----------------------|---|---|-----|-----|
| 0    | 33.9718.7000         | Kabel, sonstiges<br>VKS, ISB, MC3, serielle Schnittstelle                     | cable, other<br>VKS, ISB, MC3, serial interface                       | -   | -   |
| 0    | 33.2597.8000         | Adapterkabel<br>serielle Schnittstelle  | adapter cable<br>serial interface                                     | -   | -   |
| 1    | 33.2673.0000         | Pumpenkopf<br>nur Ersatzteil  | pump head<br>spare part only  | -   | -   |
| 1    | 33.4208.4000         | Pumpenkopf<br>nur Ersatzteil, nur für Ausführung<br>USA                       | pump head<br>spare part only, only for version USA                    | -   | -   |
| 2    | 00.0047.3358         | Flkpf-Schraube ISO 7045-M 4x<br>6-1.4301-H                                    | pan head screw ISO 7045-M 4x<br>6-1.4301-H                            | -   | -   |
| 3    | 33.0395.5000         | O-Ring 17,12x2,62 EPDM  | O-ring, 17.12x2.62 EPDM   | -   | -   |
| 4    | 33.2587.3000         | Nippel-Steckanschluss I 6-G3_8<br>3/8 auf 6er                                 | nipple I 6-G3_8<br>3/8 to 6-way                                       | -   | -   |
| 5    | 00.0047.3653         | EJOT PT-Schraube KA 40x10 WN<br>1411-A2                                       | EJOT PT-screw KA 40x10 WN<br>1411-A2                                  | -   | -   |
| 9    | 33.2860.0000         | Blende 0,6 mm, mit Schlauch<br>nur Ersatzteil                                 | aperture 0.6 mm, with hose<br>spare part only                         | -   | 1   |
| 9    | 33.2595.0600         | Luftpumpe<br>mit Blende 0,6 mm, Ausführung<br>Auto/EasySteam                  | air pump<br>with orifice 0.6 mm, Auto<br>Steam/Easy Milk model        | -   | -   |
| 9    | 33.0649.3000         | Kabelbinder   | cable clip  | -   | -   |
| 10   | 00.0047.3316         | Flkpf-Schraube ISO 7045-M 3x<br>6-1.4301-H                                    | pan head screw ISO 7045-M 3x<br>6-1.4301-H                            | -   | -   |
| 12   | 33.2628.3100         | Stromversorgung<br>120V/230V umschaltbar                                      | power supply<br>120V/230V switchable USA                              | -   | 1   |
| 13   | 00.0047.3355         | Flkpf-Schraube ISO 7045-M 4x<br>4-1.4301-H<br>Anzugsmoment 2,5 Nm             | pan head screw ISO 7045-M 4x<br>4-1.4301-H<br>fastening torque 2.5 Nm | -   | -   |
| 16   | 33.4194.8000         | SSR-Mini zero   | Mini-SSR zero   | -   | 1   |
| 18   | 33.4188.8000         | Winkel, Anschluss<br>Ausführung 9 kW und Japan                                | angle, connection<br>version 9 kW and Japan                           | -   | -   |
| 18   | 33.4182.0000         | Winkel-Anschlussplatte fuer<br>C20-Buchse<br>holder                           | angle<br>holder   | -   | -   |
| 19   | 00.0047.3356         | Flkpf-Schraube ISO 7045-M 4x<br>5-1.4301-H<br>Anzugsmoment 1,2 Nm             | pan head screw ISO 7045-M 4x<br>5-1.4301-H<br>fastening torque 1.2 Nm | -   | -   |
| 20   | 33.1636.9000         | Steck-Schraubleiste<br>3-polig, Ausführung 230 V/3 kW und<br>Japan 200 V/3 kW | terminal strip<br>3 poles, version 230 V/3 kW and<br>Japan 200 V/3 kW | -   | -   |



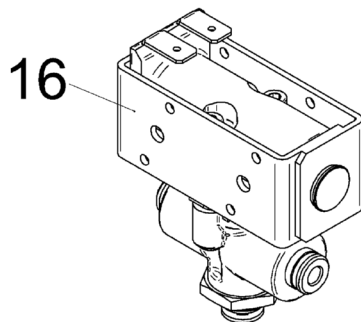
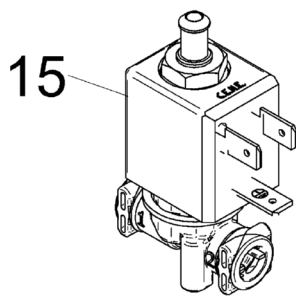
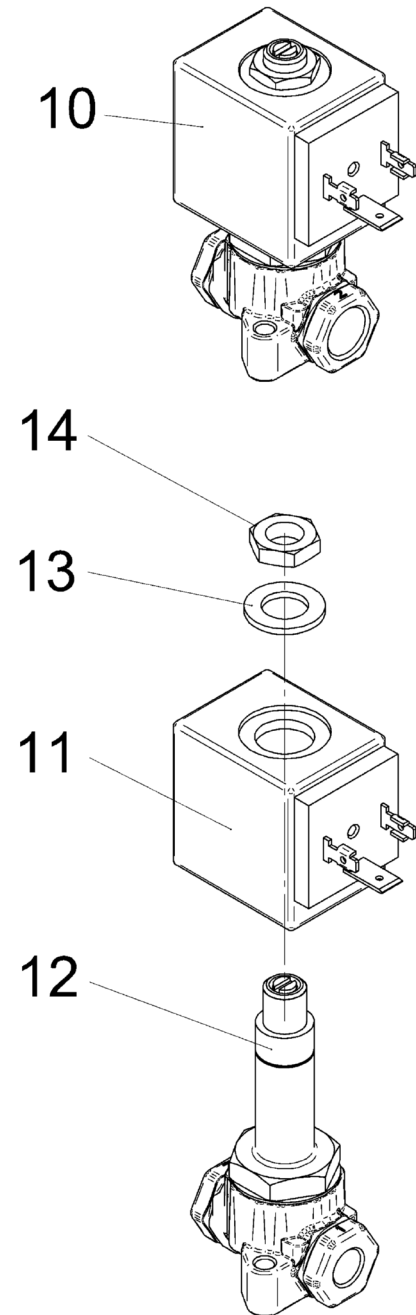
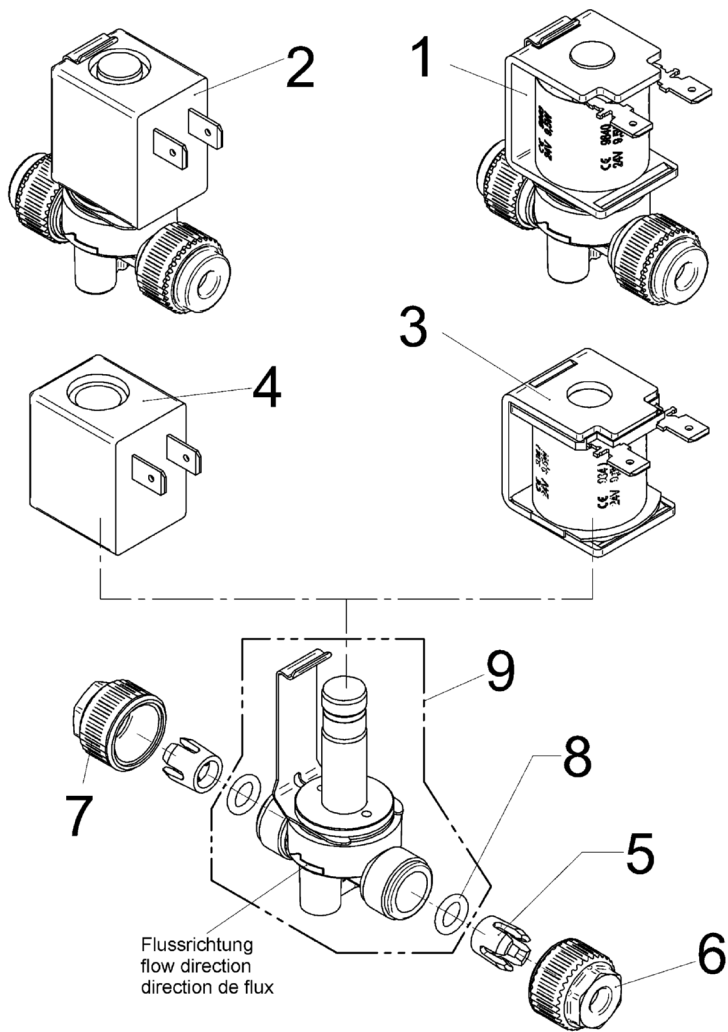
| Pos. | Art.-Nr.<br>Art. no. | Bezeichnung<br>Tech-Info<br>Service-Info                           | Designation<br>Tech-Info<br>Service-Info                              | EA1 | EA2 |
|------|----------------------|--|---|-----|-----|
| 20   | 33.2069.1000         | Steckerleiste<br>5-polig, Ausführung Europa 400 V<br>und Schiff    | plug strip<br>5 poles, version Europe 400 V and<br>ship               | -   | -   |
| 20   | 33.0666.4000         | Klemmleiste<br>nur für Ausführung USA                              | clamping strip<br>for USA version only                                | -   | -   |
| 21   | 00.0047.3370         | Flkopf-Schraube ISO 7045-M<br>4x22-1.4301-H<br>Anzugsmoment 1,2 Nm | pan head screw ISO 7045-M<br>4x22-1.4301-H<br>fastening torque 1.2 Nm | -   | -   |
| 22   | 33.2264.4000         | Kabeldurchführung  | cable pass-through  | -   | -   |
| 22   | 33.2375.3000         | Durchführungsstülle<br>nur für Ausführung 9,0 kW                   | rubber funnel<br>for 9 kw version only                                | -   | -   |
| 23   | 00.0047.3413         | Flkopf-Schraube ISO 7045-M<br>6x16-1.4301-H                        | pan head screw ISO 7045-M<br>6x16-1.4301-H                            | -   | -   |
| 24   | 00.0047.2257         | Zahnscheibe DIN 6797-A 6,4-1.4300                                  | tooth lock washer DIN 6797-A 6,<br>4-1.4300                           | -   | -   |
| 25   | 33.2107.1100         | Winkel   | angle   | -   | -   |
| 26   | 00.0047.2055         | Sechskantmutter ISO 4032-M<br>6-1.4301                             | hexagonnut ISO 4032-M 6-1.4301  | -   | -   |
| 27   | 33.2200.1000         | Entstörglied<br>nicht bei Ausführung USA                           | interference suppression element<br>not for USA model                 | -   | -   |
| 28   | 33.0649.3000         | Kabelbinder  | cable clip  | -   | -   |
| 29   | 33.4115.8000         | Solid State Relais<br>starting around 05/2017                      | solid state relay<br>starting around 05/2017                          | -   | -   |
| 30   | 33.2264.9000         | Näherungsschalter  | proximity switch  | -   | -   |
| 31   | 00.0047.3640         | EJOT PT-Schraube KA 30x 8-WN<br>1411-A2                            | EJOT PT-screw KA 30x 8-WN<br>1411-A2                                  | -   | -   |
| 32   | 00.0047.2097         | Sechskantmutter ISO 10511-M<br>3-1.4301                            | hexagonnut ISO 10511-M 3-1.4301                                       | -   | -   |
| 33   | 33.2263.0000         | Kabelsatz, serielle Schnittstelle<br>serielle Schnittstelle        | cable set, serial interface<br>serial interface                       | -   | -   |
| 34   | 33.1690.9000         | Schraubensicherung<br>serielle Schnittstelle                       | screw locker<br>serial interface                                      | -   | -   |
| 35   | 33.1499.9000         | Durchführungsstülle<br>through around 05/2017                      | rubber funnel<br>through around 05/2017                               | -   | -   |
| 36   | 33.0199.0000         | Feder  | spring  | -   | -   |



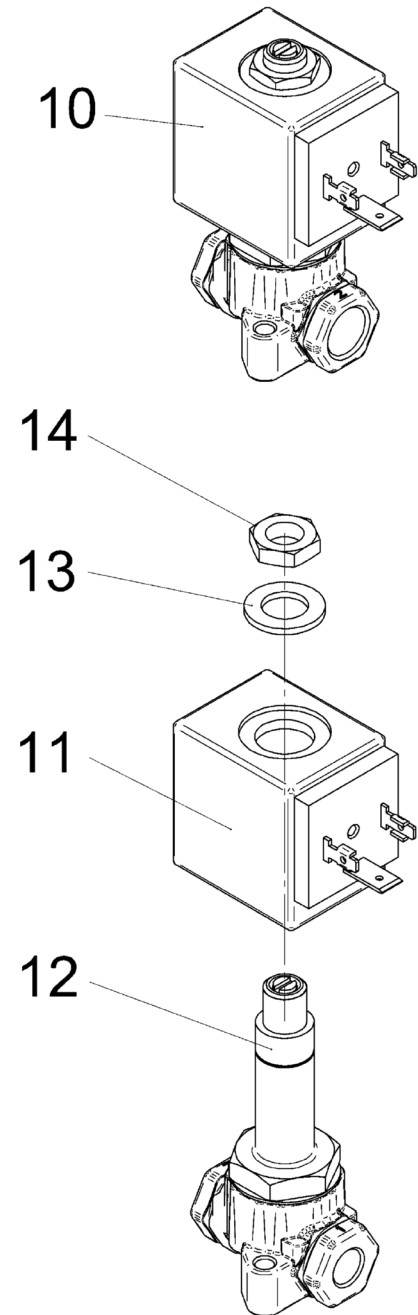
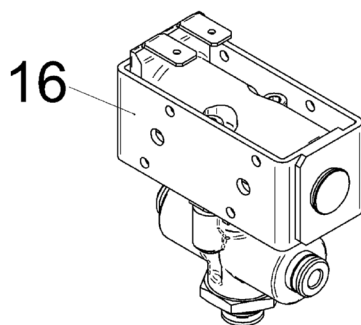
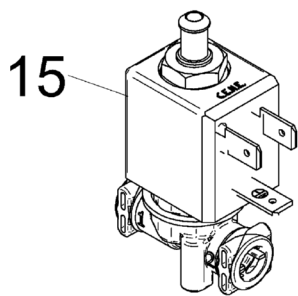
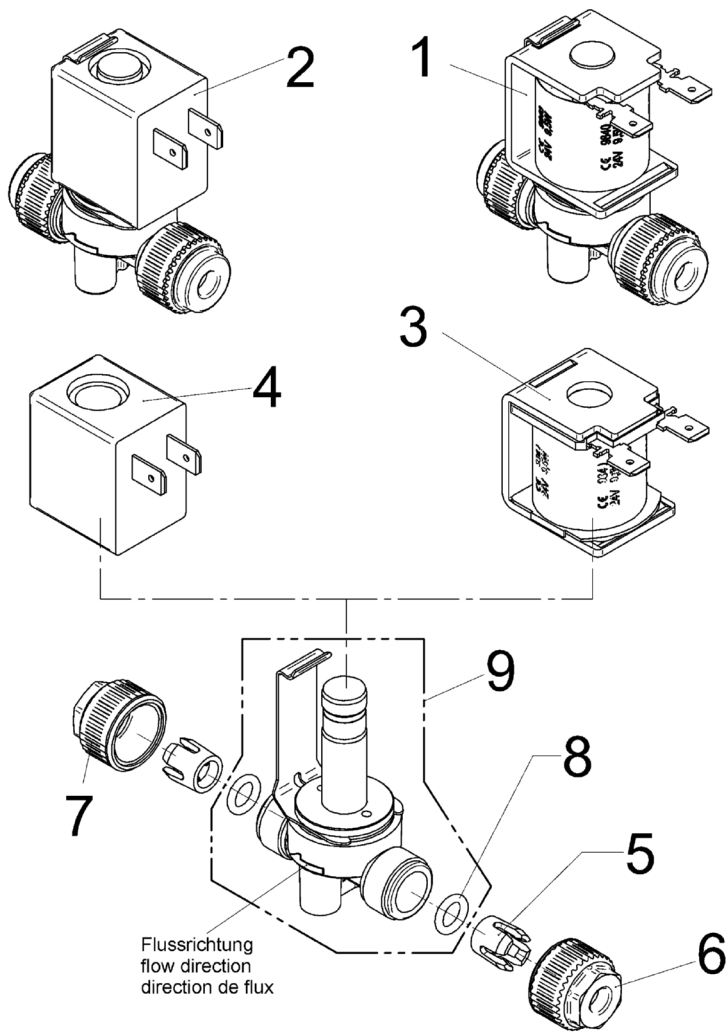
| Pos. | Art.-Nr.<br>Art. no. | Bezeichnung<br>Tech-Info<br>Service-Info                            | Designation<br>Tech-Info<br>Service-Info                      | EA1 | EA2 |
|------|----------------------|---|---|-----|-----|
| 37   | 00.0047.2101         | Comby-SHB-Mutter-M5-Selbstsichernd-A2K                              | Comby-SHB-nut-M5-Selbstsichernd-A2K                           | -   | -   |
| 38   | 33.2354.7000         | Aufnahme<br>Pumpenkopf  | holder<br>pump head   | -   | -   |
| 39   | 33.4001.0000         | Pumpenkopfaufnahme  | pump head receiver  | -   | -   |
| 40   | 33.1445.7000         | Steckanschluss T 6-6-6  | plug-in connection T 6-6-6                                    | -   | -   |
| 41   | 33.2237.4000         | Steckanschluss Y 6-6-6<br>Pulver-Kaltwasser-Zumischung              | plug-in connection Y 6-6-6<br>powder and cold water admixture | -   | -   |
| 42   | 33.2021.5000         | Steckanschluss L 6-6  | plug-in connection L 6-6                                      | -   | -   |
| 43   | 33.2263.8100         | Durchflussmengenmesser  | flow meter  | -   | 1   |
| 45   | 33.4039.7000         | Relaissockel  | relay socket  | -   | -   |
| 46   | 33.4039.6000         | Relais  | relay   | -   | -   |
| 47   | 33.2367.0000         | Leiterplatte, RS232<br>nur bei Ausführung Serielle<br>Schnittstelle | printed circuit board, RS232<br>serial interface only         | -   | -   |
| 48   | 00.0047.3312         | Flkpf-Schraube ISO 7045-M 3x<br>4-A2-H                              | pan head screw ISO 7045-M 3x<br>4-A2-H                        | -   | -   |
| 50   | 33.2468.6000         | Nippel, Schlauch  | plug, hose  | -   | -   |
| 51   | 33.0589.7000         | Schelle, Deckel<br>Europa 400 V                                     | clamp, lid<br>Europe 400 V                                    | -   | -   |
| 52   | 00.0047.1912         | Blech-Shr ISO 7049-ST3,<br>5x19-C-H-1.4301<br>Europa 400 V          | Sh.metal screw ISO 7049-ST3,<br>5x19-C-H-1.4<br>Europe 400 V  | -   | -   |
| 53   | 33.0395.4000         | O-Ring 10,82x1,78 EPDM  | O-ring, 10.82x1.78 EPDM                                       | -   | -   |
| 54   | 33.1445.6000         | Steckanschluss I 6-G1_4<br>inklusive O-Ring Pos. 53                 | plug-in connection I 6-G1_4<br>incl. o-ring pos. 53           | -   | -   |
| 55   | 00.0047.2197         | Scheibe ISO<br>7093-1-4-200HV-1.4301                                | washer ISO 7093-1-4-200HV-1.4301                              | -   | -   |
| 56   | 00.0047.3627         | EJOT PT-Schraube KA 40x 8-WN<br>1412-A2                             | EJOT PT-screw KA 40x 8-WN<br>1412-A2                          | -   | -   |
| 57   | 33.4025.1000         | Winkel<br>Halter DFM  | angle<br>flow meter holder                                    | -   | -   |



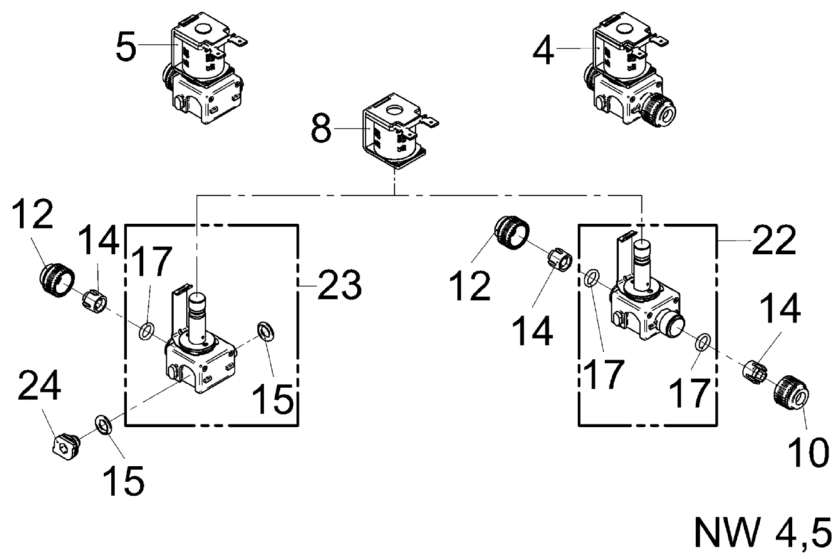
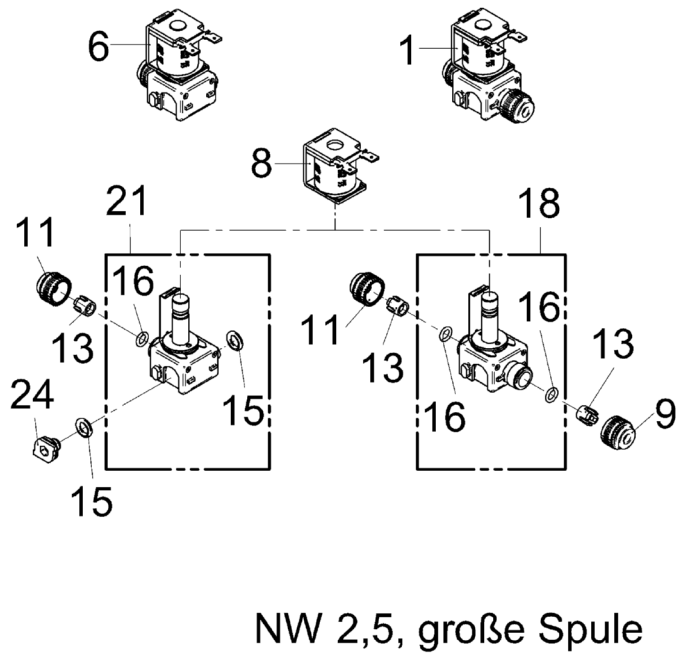
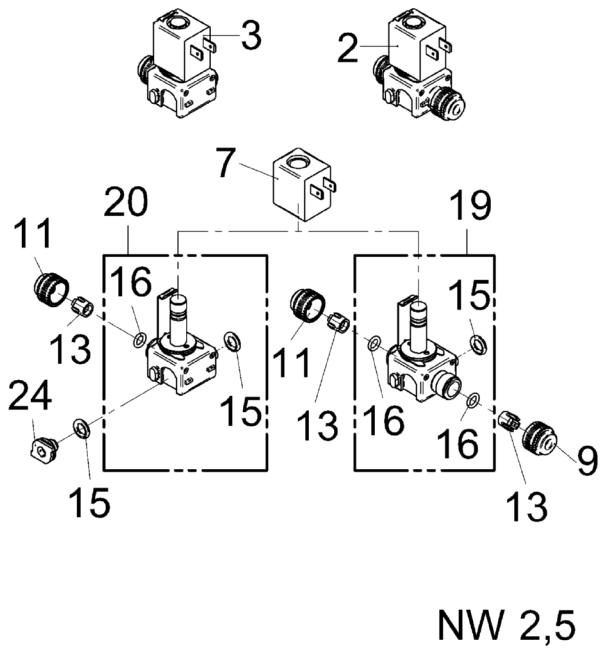
| Pos. | Art.-Nr.<br>Art. no. | Bezeichnung<br>Tech-Info<br>Service-Info                       | Designation<br>Tech-Info<br>Service-Info         | EA1 | EA2 |
|------|----------------------|--|--|-----|-----|
| 58   | 33.4025.6000         | Abdeckung<br>Espressopumpe                                     | cover<br>espresso pump                           | -   | -   |
| 59   | 00.0048.0682         | Schlauch Schaumsilikon 23,0x3-5<br>hell<br>15 mm lang          | Hose foam silicone 23.0x3-5 bright<br>15 mm long | -   | -   |
| 61   | 33.2274.1000         | Überwurfmutter, weiß, 6mm<br>weiss                             | union nut, white, 6 mm<br>white                  | 5   | -   |
| 62   | 33.2274.2000         | Klemmring  | clamping ring                                    | -   | -   |
| 63   | 33.2274.0000         | O-Ring 6,07x1,78 EPDM  | O-ring, 6.07x1.78 EPDM                           | -   | -   |
| 64   | 33.2354.6000         | Grundkörper<br>Drucksensor                                     | base body<br>pressure sensor                     | -   | -   |
| 65   | 33.4028.3000         | Drucksensor<br>16 bar  | pressure sensor<br>16 bar                        | -   | -   |
| 66   | 33.4107.4000         | Nippel<br>Dynamic Milk   | plug<br>Dynamic Milk                             | -   | -   |
| 67   | 33.4183.7000         | Winkel Stromversorgung Alu                                     | angle  | -   | -   |
| 68   | 00.0047.2103         | Comby-SHB-Mutter-M4-Selbstsiche<br>rnd-A2K                     | Comby-SHB-nut-M4-Selbstsichernd<br>-A2K          | -   | -   |
| 70   | 33.4103.3000         | Kaltgerätestecker C20  | low-power device plug C20                        | -   | -   |
| 71   | 33.2367.0200         | Abstandshalter<br>nur bei Ausführung Serielle<br>Schnittstelle | spacer<br>serial interface only                  | -   | -   |
| 73   | 33.2218.5000         | Abdeckkappe  | cap  | -   | -   |
| 74   | 33.2274.4000         | Überwurfmutter, schwarz, 6 mm                                  | union nut, black, 6 mm                           | -   | -   |
| B    | 33.4208.3099         | Flügelzellenpumpe<br>nur Ausführung USA                        | vane type pump<br>version USA only               | -   | -   |
| B    | 33.2921.4199         | Flügelzellenpumpe<br>nur für Ausführung Japan                  | vane type pump<br>for Japan version only         | -   | -   |
| B    | 33.2921.4099         | Flügelzellenpumpe<br>balanced                                  | vane type pump<br>balanced                       | 1   | -   |



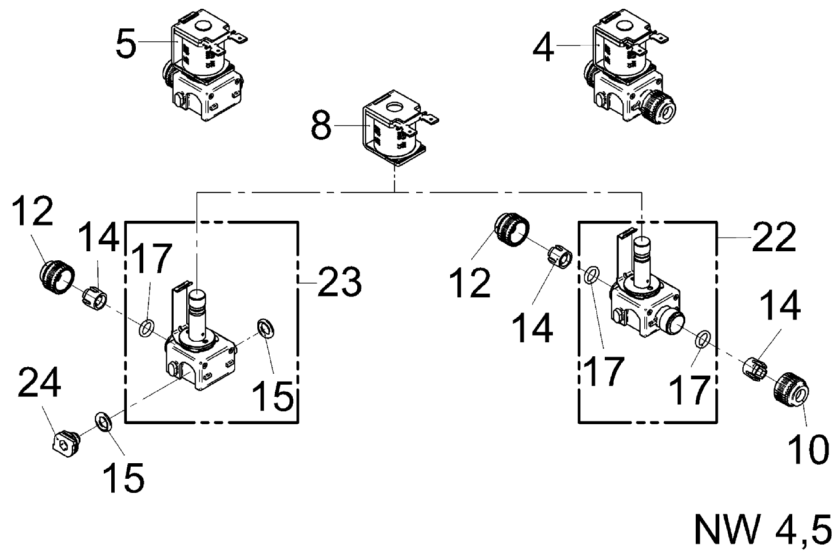
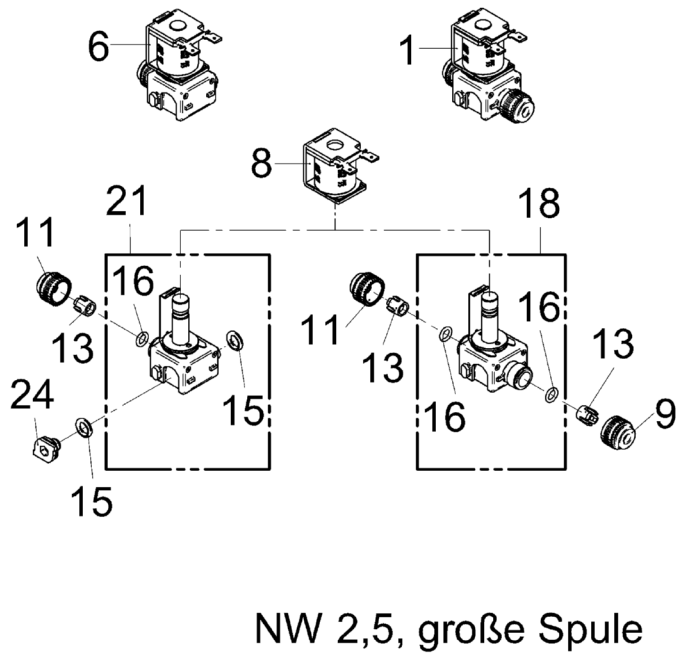
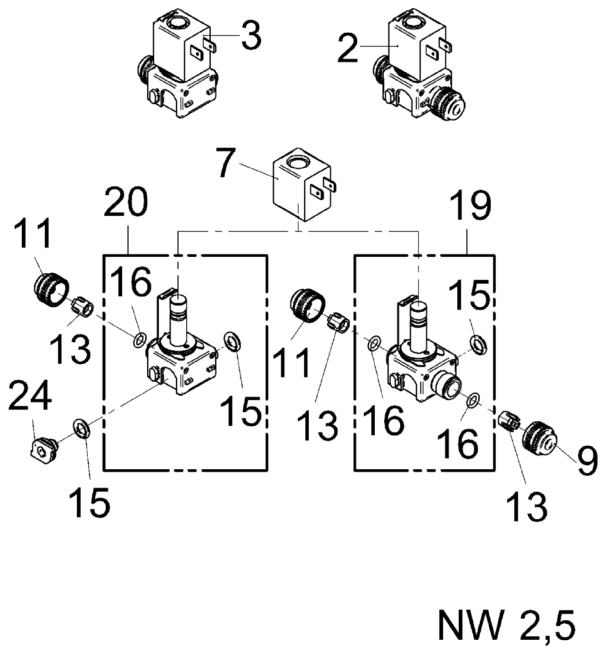
| Pos. | Art.-Nr.<br>Art. no. | Bezeichnung<br>Tech-Info<br>Service-Info  | Designation<br>Tech-Info<br>Service-Info   | EA1 | EA2 |
|------|----------------------|---|--|-----|-----|
| 3    | 33.2274.7000         | Magnetkörper<br>nicht ummantelt, große Spule, für<br>Ventile 33 2273 5000, 33 2500 1000,<br>33 2400 7000, 33 4070 8000                | magnet body<br>not encased, large coil, for valves 33<br>2273 5000, 33 2500 1000, 33 2274<br>8000, 33 4070 8000                    | -   | 2   |
| 4    | 33.2273.8000         | Magnetkörper<br>ummantelt, kleine Spule, für Ventil<br>33 2273 6000   | magnet body<br>encased, small coil, for valve 33<br>2273 6000  | -   | -   |
| 5    | 33.2274.2000         | Klemmring<br>6er Anschluss (Ersatzventile 33 2274<br>5000, 33 2500 3000, 33 2400 8000,<br>33 4070 9000, 33 2273 9000)                 | clamping ring<br>6mm connection ( spare valves 33<br>2274 5000, 33 2500 3000, 33 2400<br>8000, 33 4070 9000, 33 2273 9000)         | -   | 5   |
| 6    | 33.2274.1000         | Überwurfmutter, weiß, 6mm<br>weiss, 6er (Ersatzventile 33 2274<br>5000, 33 2500 3000, 33 2400 8000,<br>33 4070 9000, 33 2273 9000)    | union nut, white, 6 mm<br>for spare valves 33 2274 5000, 33<br>2500 3000, 33 2400 8000, 33 4070<br>9000, 33 2273 9000              | -   | 5   |
| 7    | 33.2274.4000         | Überwurfmutter, schwarz, 6 mm<br>Farbe: schwarz, für 6er Anschluss<br>(für Ersatzventile 33 2273 9000, 33<br>2500 3000, 33 2274 5000) | union nut, black, 6 mm<br>for spare valves 33 2273 9000, 33<br>2500 3000, 33 2274 5000   | -   | 5   |
| 7    | 33.2274.6000         | Überwurfmutter<br>Farbe: blau, für 6er Anschluss (für<br>Ersatzventil 33 2400 8000)   | union nut<br>blue, for spare valve 33 2400 8000  | -   | -   |
| 7    | 33.4084.9000         | Überwurfmutter<br>Farbe: gelb, für 6er Anschluss (für<br>Ersatzventil 33 4070 9000)   | union nut<br>yellow, for spare valve 33 4070 9000  | -   | -   |
| 8    | 33.2274.0000         | O-Ring 6,07x1,78 EPDM<br>6er Anschluss (Ersatzventile 33 2274<br>5000, 33 2500 3000, 33 2400 8000,<br>33 4070 9000, 33 2273 9000)     | O-ring, 6.07x1.78 EPDM<br>6mm connection (spare valves 33<br>2274 5000, 33 2500 3000, 33 2400<br>8000, 33 4070 9000, 33 2273 9000) | -   | 5   |
| 9    | 33.2274.5000         | Ventil 2/2 NW2,5 Hub 1,2, ohne<br>Spule<br>Ersatzventil ohne Spule für 33 2273<br>5000  | valve 2/2 NW2.5 stroke 1.2, no<br>solenoid<br>spare valve w/o coil for 33 2273<br>5000   | -   | 2   |
| 9    | 33.2500.3000         | Ventil 2/2 NW2,5 Hub 0,75, ohne<br>Spule<br>Ersatzventil ohne Spule für 33 2500<br>1000   | valve 2/2 NW2.5 stroke 0.75, no<br>solenoid<br>spare valve w/o coil for 33 2500<br>1000  | -   | -   |
| 9    | 33.2400.8000         | Ventil 2/2 NW2,5 Hub 0,75-12 bar, o.<br>Sp<br>Ersatzventil ohne Spule für 33 2400<br>7000   | valve 2/2 id2.5 stroke0.75-12bar no<br>coil<br>spare valve w/o coil for 33 2400<br>7000  | -   | -   |
| 9    | 33.4070.9000         | Ventil 2/2 NW2,5 -10bar, ohne Spule<br>Ersatzventil ohne Spule für 33 4070<br>8000  | valve 2/2 NW2.510 bar, no solenoid<br>spare valve w/o coil for 33 4070<br>8000   | -   | -   |
| 9    | 33.2273.9000         | Ventil 2/2 NW2,5 Hub 0,75-10 bar,<br>o.Spule<br>Ersatzventil ohne Spule für 33 2273<br>6000   | valve 2/2 id2.5 stroke0.75-10bar no<br>coil<br>spare valve w/o coil for 33 2273<br>6000  | -   | 2   |
| 11   | 33.4069.2000         | Magnetkörper<br>für Ventil 33.4194.0000<br>3,5 bar Dynamic Milk   | magnet body<br>for valve 33 4194 0000<br>3,5 bar Dynamic Milk  | -   | 2   |
| 11   | 33.4069.1000         | Magnetkörper<br>für Ventil 33 2692 0000<br>Heißwasser 9 KW  | magnet body<br>for valve 33 2692 0000<br>hot water 9 KW  | -   | -   |



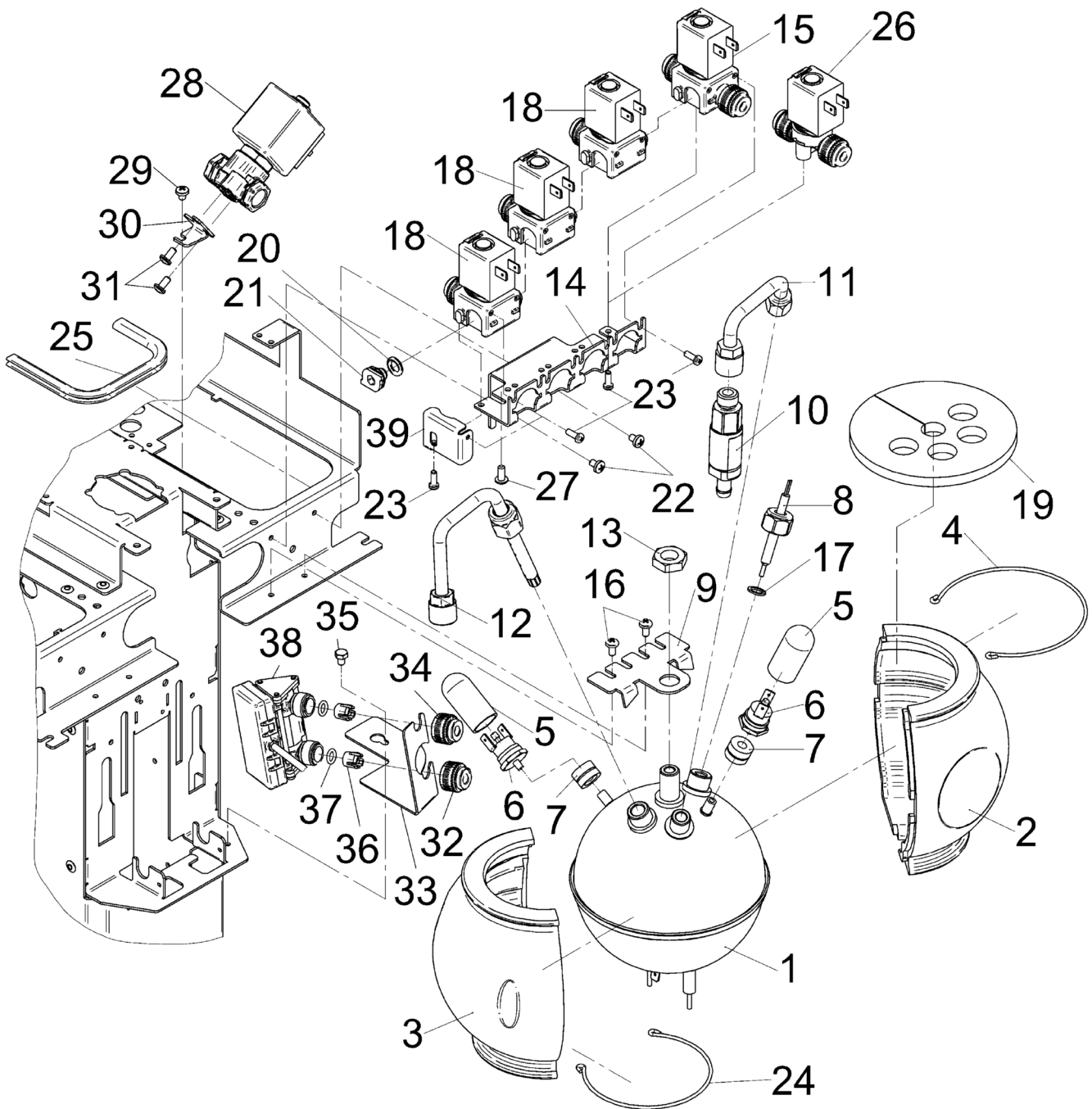
| Pos. | Art.-Nr.<br>Art. no. | Bezeichnung<br>Tech-Info<br>Service-Info  | Designation<br>Tech-Info<br>Service-Info  | EA1 | EA2 |
|------|----------------------|---|---|-----|-----|
| 12   | 33.4193.9000         | 2-2_Prop_Ventil_NW_3-0_ohne_Spule<br>Ersatzventil ohne Spule für 33 4194 0000<br>3,5 bar Dynamic Milk | 2-2_Prop_Valve_NW_3-0_without_Coil<br>spare valve w/o coil for 33 4194 0000<br>3,5 bar Dynamic Milk | -   | 2   |
| 12   | 33.4069.3000         | Prop-Ventil 2/2 NW1,5, o. Spule<br>Ersatzventil ohne Spule für 33 2692 0000<br>Heißwasser 9 KW        | prop. valve 2/2 NW1.5, no solenoid<br>spare valve w/o coil for 33 2692 0000<br>hot water 9 KW       | -   | -   |
| 13   | 00.0047.2146         | Scheibe ISO 7092-10-1.4301  | washer ISO 7092-10-1.4301   | -   | -   |
| 14   | 33.2381.0100         | Sechskantmutter   | hexagon nut   | -   | -   |
| 15   | 33.4011.6000         | Ventil 2/2 NW1,4 Hub 1,0 NO   | valve 2/2 NW1.4 stroke 1.0 NO   | -   | -   |
| 16   | 33.4107.9000         | Ventil 3/2 NW3,0, Hub 0,95<br>Ventil 17, Ventil 25, Ventil 27   | valve 3/2 NW3.0, stroke 0.95<br>valve no. 17, valve no. 25, valve no. 27                            | -   | -   |
| 16   | 33.4190.4000         | Grundkörper<br>Ersatzventil ohne Spule für 33 4107 9000<br>Schlauchanschluss 4/4/4                    | base body<br>spare valve w/o coil for 33 4107 9000<br>hose connection 4/4/4                         | -   | 1   |
| 16   | 33.4107.9100         | Ventil 3/2 NW3,0, Hub 0,95<br>Kaffeeumschaltventil DYM FFC<br>(Ventil 17)                             | valve 3/2 NW3.0, stroke 0.95<br>valve no. 17  | -   | -   |
| 16   | 33.4190.4100         | Grundkörper<br>Ersatzventil ohne Spule für 33 4107 9100<br>Schlauchanschluss 6/4/6                    | base body<br>spare valve w/o coil for 33 4107 9100<br>hose connection 6/4/6                         | -   | -   |
| 16   | 33.4190.3000         | Membrane<br>für Ventil 33 4107 9000 und 33 4107 9100  | membrane<br>for valve 33 4107 9000 and 33 4107 9100   | -   | -   |



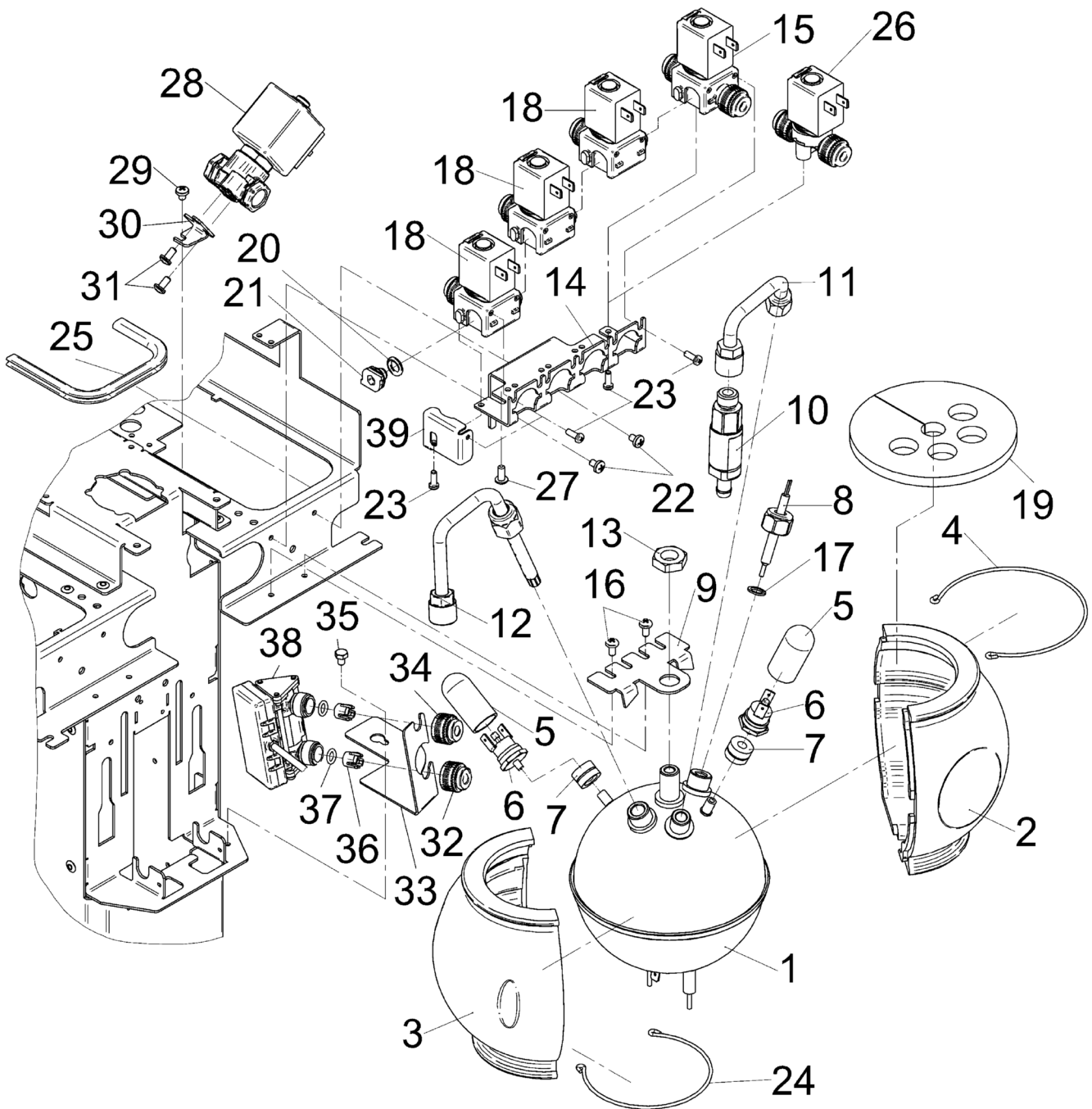
| Pos. | Art.-Nr.<br>Art. no. | Bezeichnung<br>Tech-Info<br>Service-Info   | Designation<br>Tech-Info<br>Service-Info   | EA1 | EA2 |
|------|----------------------|--|--|-----|-----|
| 8    | 33.2274.7000         | Magnetkörper<br>nicht ummantelt, große Spule, für<br>Ventile 33 2641 4X00 und 33 4081<br>3X00  | magnet body<br>not encased, large coil, for valves 33<br>2641 4X00 and 33 4081 3X00  | -   | -   |
| 9    | 33.2274.1000         | Überwurfmutter, weiß, 6mm<br>für Ersatzventil 33 4081 4X00 und 33<br>2694 0X00,  | union nut, white, 6 mm<br>for spare valves 33 4081 4X00 and<br>33 2694 0X00,   | -   | -   |
| 10   | 33.2275.0000         | Überwurfmutter, weiß, 8 mm<br>für Ersatzventile 33 2694 1X00   | union nut, white, 8 mm<br>for spare valves 33 2694 1X00  | -   | -   |
| 11   | 33.2274.4000         | Überwurfmutter, schwarz, 6 mm<br>für Ersatzventile 33 4081 4X00 und<br>33 2694 0X00  | union nut, black, 6 mm<br>for spare valves 33 4081 4X00 and<br>33 2694 0X00  | -   | -   |
| 12   | 33.2275.1000         | Überwurfmutter, schwarz, 8 mm<br>für Ersatzventile 33 2694 1X00  | union nut, black, 8 mm<br>for spare valves 33 2694 1X00  | -   | -   |
| 13   | 33.2274.2000         | Klemmring<br>für 6er Anschluss, für Ersatzventile<br>33 4081 4X00 und 33 2694 0X00   | clamping ring<br>for 6mm connection, for spare valves<br>33 4081 4X00 and 33 2694 0X00   | -   | -   |
| 14   | 33.2275.2000         | Klemmring<br>für 8er Anschluss, für Ersatzventiel<br>33 2694 1X00  | clamping ring<br>for 8mm connection, for spare valves<br>33 2694 1X00  | -   | -   |
| 15   | 33.4004.2000         | O-Ring 7,60x2,40 EPDM  | O-ring, 7.60x2.40 EPDM   | -   | 10  |
| 16   | 33.2274.0000         | O-Ring 6,07x1,78 EPDM<br>für 6er Anschluss, für Ersatzventile<br>33 4081 4X00 und 332694 0X00  | O-ring, 6.07x1.78 EPDM<br>for 6mm connection, for spare valves<br>33 4081 4X00 and 33 2694 0X00  | -   | -   |
| 17   | 33.2275.3000         | O-Ring 8,07x1,78 EPDM<br>für 8er Anschluss, für Ersatzventile<br>33 2694 1X00  | O-ring, 8.07x1.78 EPDM<br>for 8mm connection, for spare valves<br>33 2694 1X000  | -   | -   |
| 18   | 33.4081.4000         | Ventil 2/2 NW2,5 verkett., Eing.<br>o.gr.Sp<br>Ersatzventil ohne Spule, verkettbar,<br>Hub 0,75 mm (Eingang) für 33 4081<br>3000 (große Spule) | valve 2/2 id2.5linked, in, no large coil<br>spare valve w/o coil, linkable, stroke<br>0.75 mm (input) for 33 4081 3000<br>(large coil) | -   | 2   |
| 19   | 33.2694.0100         | Ventil 2/2 NW2,5 verkett., Ausg. o.<br>Sp<br>Ersatzventil ohne Spule, verkettbar,<br>Hub 0,75 mm (Ausgang) für 33 2641<br>3100                 | valve 2/2 i.d.2.5 linked, out no coil<br>spare valve w/o coil, inkable, stroke<br>0,75 mm (output) for 33 2641 3100                    | 2   | -   |
| 20   | 33.2694.0200         | Ventil 2/2 NW2,5 verkettbar, ohne<br>Spule<br>Ersatzventil ohne Spule, verkettbar,<br>Hub 0,75 mm für 33 2641 3200                             | valve 2/2 NW2.5, linked, no solenoid<br>spare valve w/o coil, linkable, stroke<br>0.75 mm for 33 2641 3200                             | -   | -   |
| 21   | 33.4081.4200         | Ventil 2/2 NW2,5 verkett., o. gr.<br>Spule<br>Ersatzventil ohne Spule, verkettbar,<br>Hub 0,75 mm für 33 4081 3200<br>(große Spule)            | valve 2/2 i.d.2.5 linked, no large coil<br>spare valve w/o coil, linkable, stroke<br>0.75 mm for 33 4081 3200 (large<br>coil)          | -   | 2   |
| 22   | 33.2694.1000         | Ventil 2/2 NW4,5 verkett., Eingang o.<br>Sp<br>Ersatzventil ohne Spule, verkettbar,<br>Hub 1,20 mm (Eingang) für 33 2641<br>4000 (große Spule) | valve 2/2 i.d.4.5 linked, in no coil<br>spare valve w/o coil, linkable, stroke<br>1.20 mm (input) for 33 2641 4000<br>(large coil)     | -   | 2   |



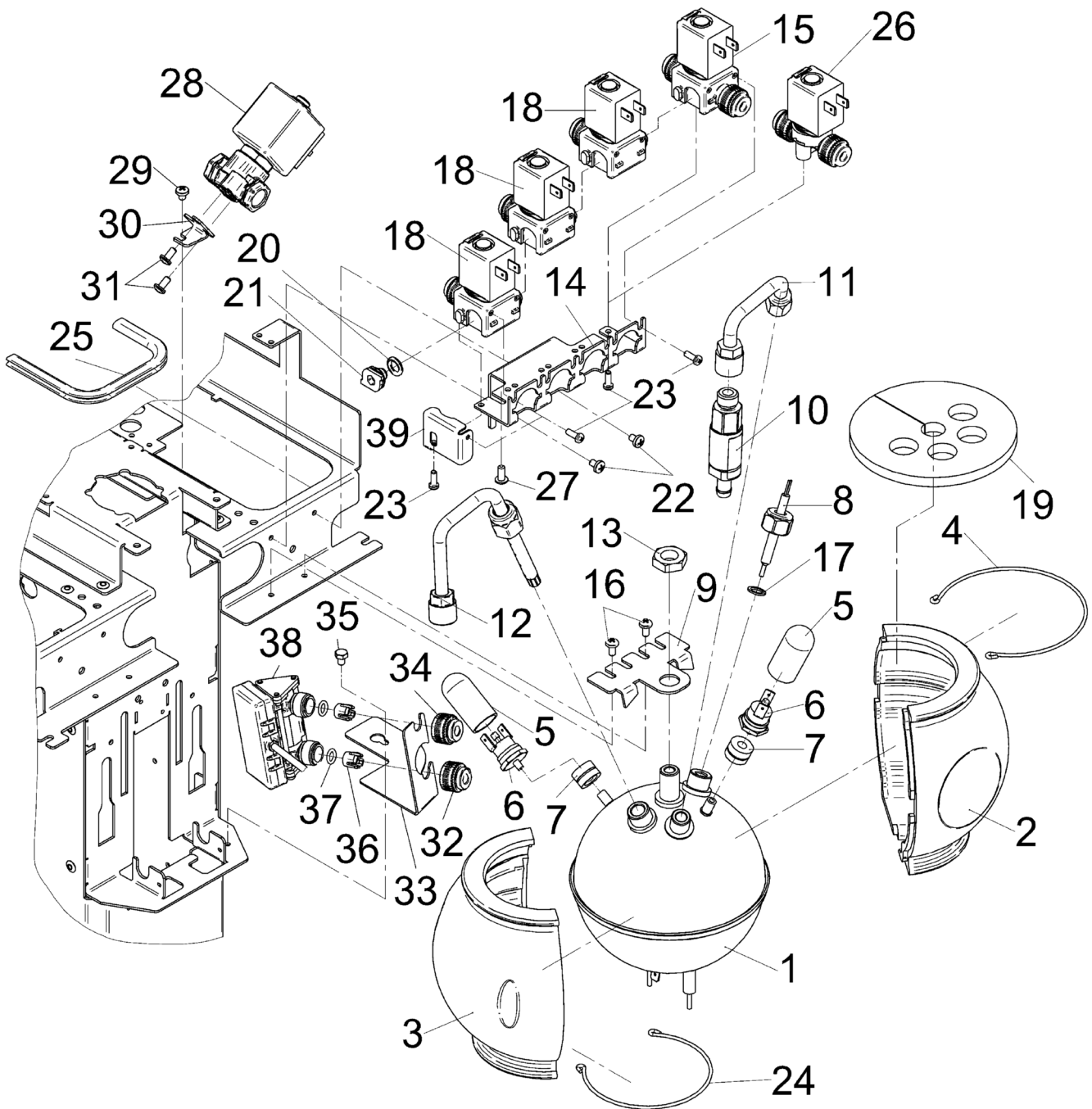
| <b>Pos.</b> | <b>Art.-Nr.<br/>Art. no.</b> | <b>Bezeichnung<br/>Tech-Info<br/>Service-Info</b>   | <b>Designation<br/>Tech-Info<br/>Service-Info</b>   | <b>EA1</b> | <b>EA2</b> |
|-------------|------------------------------|---|---|------------|------------|
| 23          | 33.2694.1200                 | Ventil 2/2 NW4,5 verkett., o. gr.<br>Spule<br>Ersatzventil ohne Spule, verkettbar,<br>Hub 1,20 mm für 33 2641 4200<br>(große Spule) | valve 2/2 i.d.4.5 linked, no large coil<br>spare valve w/o coil, linkable, stroke<br>1.20 mm for 33 2641 4200 (large<br>coil) | 2          | -          |
| 24          | 33.2641.5000                 | Verschlussstopfen   | locking stopper   | -          | 5          |



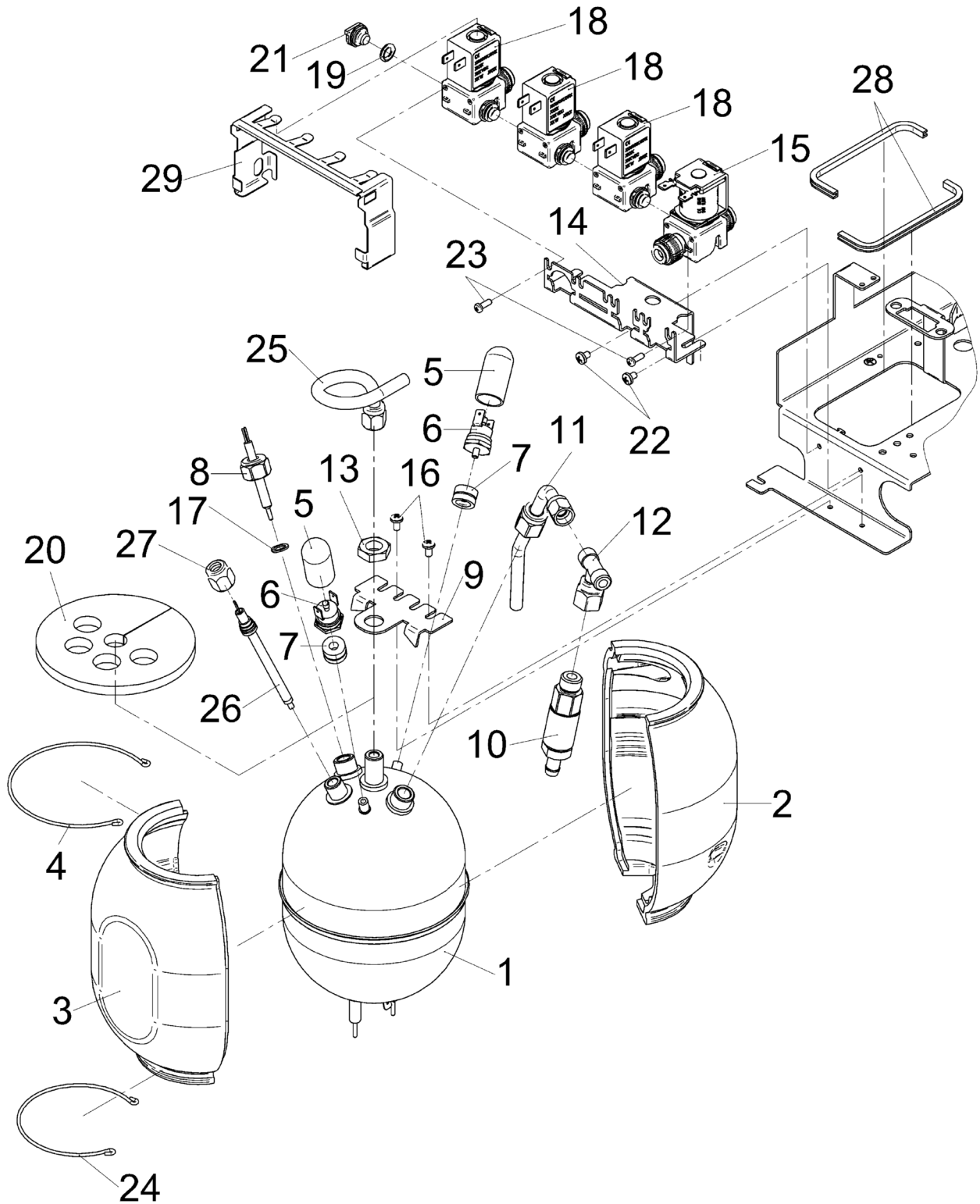
| Pos. | Art.-Nr.<br>Art. no. | Bezeichnung<br>Tech-Info<br>Service-Info   | Designation<br>Tech-Info<br>Service-Info   | EA1 | EA2 |
|------|----------------------|--|--|-----|-----|
| 1    | 33.2276.5099         | HW-Boiler 0,8 L, 240 V-3590 W<br>nur für Ausführung USA und Taiwan                       | hot water boiler 0.8 L, 240 V-3590 W<br>for USA and Taiwan version only                            | -   | -   |
| 1    | 33.2276.6099         | HW-Boiler 0,8 L, 230 V-2900 W<br>240V-3158W / 220V-2653W /<br>208V-2372W                 | hot water boiler 0,8L_230V-2900W<br>240V-3158W / 220V-2653W /<br>208V-2372W                        | -   | -   |
| 1    | 33.2276.7099         | HW-Boiler 0,8 L, 230 V-2700 W, UK<br>mit Zertifikat, nur für Ausführung UK<br>230V       | hot water boiler 0.8 L, 230 V-2700<br>W, UK<br>with certificate, for UK 230V version<br>only       | -   | -   |
| 1    | 33.2276.9099         | HW-Boiler 0,8 L, 200 V-2900 W<br>nur für Ausführung Japan                                | hot water boiler 0.8 L, 200 V-2900 W<br>for Japan version only                                     | -   | -   |
| 1    | 33.4082.0099         | HW-Boiler 1,0 L, 400 V-6000 W  | hot water boiler 1.0 L, 400 V-6000 W   | -   | -   |
| 1    | 33.4082.0199         | HW-Boiler 1,0 L, 400 V-6000 W, UK<br>mit Zertifikat, nur für Ausführung UK<br>400V-9000W | hot water boiler 1.0 L, 400 V-6000<br>W, UK<br>with certificate, for UK 400V-9000W<br>version only | -   | -   |
| 1    | 33.4082.5099         | HW-Boiler 1,0 L, 440 V-6000 W<br>nur für Ausführung Schiff<br>440V-6100W                 | hot water boiler 1,0 L, 440 V-6000 W<br>for ship 440V-6100W version only                           | -   | -   |
| 2    | 33.2616.3100         | Isolierung<br>mit Loch, 0,8 Liter  | insulation<br>with hole 0,8 litres   | -   | -   |
| 2    | 33.4135.1100         | Isolierung<br>mit Loch, 1,0 Liter  | insulation<br>with hole 1,0 litres   | -   | -   |
| 3    | 33.2616.3000         | Isolierung<br>ohne Loch, 0,8 Liter   | insulation<br>without hole 0,8 litres  | -   | -   |
| 3    | 33.4135.1000         | Isolierung<br>ohne Loch, 1,0 Liter   | insulation<br>without hole 1,0 litres  | -   | -   |
| 4    | 33.4003.6000         | Bügel, Metall<br>93,5 mm   | bracket, metal<br>93.5 mm  | -   | -   |
| 5    | 33.2263.5000         | Schutztülle  | protective sleeve  | -   | -   |
| 6    | 33.2688.7000         | Sicherheitstemperaturbegrenzer<br>max. Anzugsmoment 100 Ncm                              | safety temperature limiter<br>max. fastening torque 100 Ncm  | -   | -   |
| 7    | 33.7006.5135         | Klixonbefestigung  | Klixon mount   | -   | -   |
| 8    | 33.2629.4100         | Temperaturfühler<br>NTC, Ansprechzeit kurz   | temperature sensor<br>NTC, fast response time  | -   | -   |
| 9    | 33.2315.4200         | Winkel<br>Kesselhalterung  | angle<br>boiler support  | -   | -   |
| 10   | 33.2297.0099         | Sicherheitsventil 16 bar   | safety valve 16 bar  | -   | 1   |
| 10   | 33.2297.0199         | Sicherheitsventil 16 bar, UK Zertifikat  | safety valve 16 bar, UK certificate  | -   | -   |



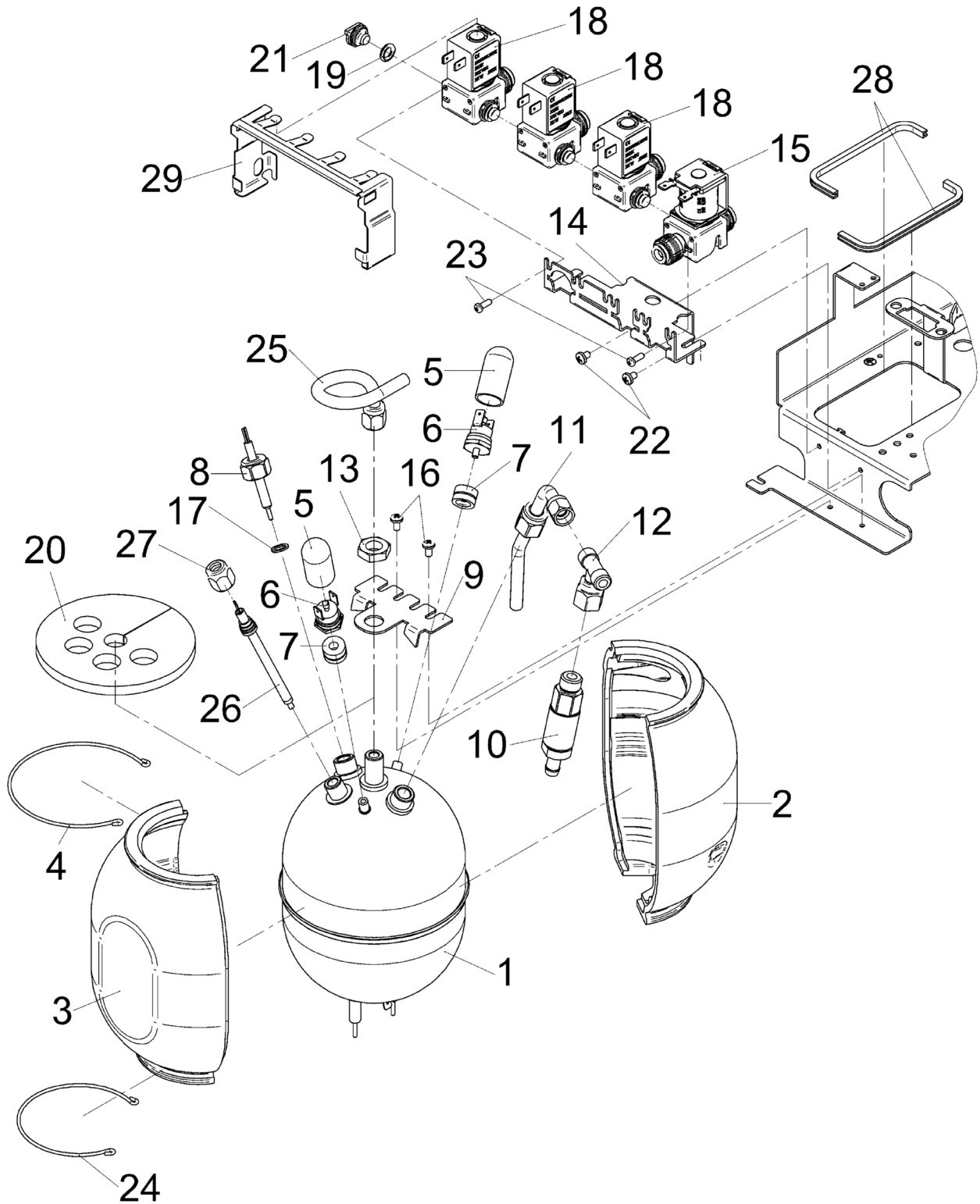
| Pos. | Art.-Nr.<br>Art. no. | Bezeichnung<br>Tech-Info<br>Service-Info                 | Designation<br>Tech-Info<br>Service-Info                   | EA1 | EA2 |
|------|----------------------|--|--|-----|-----|
| 11   | 33.2298.7000         | Rohr<br>komplett   | pipe<br>compl.   | -   | -   |
| 12   | 33.2272.1000         | Rohr, kpl.<br>Heißwasser                                 | pipe, compl.<br>hot water                                  | -   | 1   |
| 13   | 33.2254.5000         | Sechskantmutter<br>M12x1-SW17                            | hexagon nut<br>M12x1-SW17                                  | -   | -   |
| 14   | 33.2642.5000         | Winkel   | angle  | -   | -   |
| 16   | 00.0047.3356         | Flkpf-Schraube ISO 7045-M 4x<br>5-1.4301-H               | pan head screw ISO 7045-M 4x<br>5-1.4301-H                 | -   | -   |
| 17   | 33.7006.8423         | Dichtung<br>D 11x8x1,5- Cu                               | seal   | -   | -   |
| 19   | 33.2644.4000         | Kesselisolierung, Deckel                                 | boiler insulation, lid                                     | -   | -   |
| 22   | 00.0047.3355         | Flkpf-Schraube ISO 7045-M 4x<br>4-1.4301-H               | pan head screw ISO 7045-M 4x<br>4-1.4301-H                 | -   | -   |
| 23   | 00.0047.3675         | EJOT DELTA PT-Schraube WN<br>5412-H35x10 A2              | oval head tapping screw, for plastic<br>D 3                | -   | -   |
| 24   | 33.4003.7000         | Bügel, Metall<br>79 mm                                   | bracket, metal<br>79 mm                                    | -   | -   |
| 25   | 00.0048.0093         | Kantenschutz PVC schwarz Klemb.<br>1,0 mm<br>175 mm lang | edge protection PVC black clamp. 1,<br>0 mm<br>175 mm long | -   | -   |
| 27   | 00.0047.3653         | EJOT PT-Schraube KA 40x10 WN<br>1411-A2                  | EJOT PT-screw KA 40x10 WN<br>1411-A2                       | -   | -   |
| 29   | 00.0047.3356         | Flkpf-Schraube ISO 7045-M 4x<br>5-1.4301-H               | pan head screw ISO 7045-M 4x<br>5-1.4301-H                 | -   | -   |
| 30   | 33.4189.5000         | Winkel, Ventilbefestigung                                | angle, valve mount   | -   | -   |
| 31   | 00.0047.3361         | Flkpf-Schraube ISO 7045-M 4x<br>8-1.4301-H               | pan head screw ISO 7045-M 4x<br>8-1.4301-H                 | -   | -   |
| 32   | 33.2274.1000         | Überwurfmutter, weiß, 6mm                                | union nut, white, 6 mm                                     | -   | -   |
| 33   | 33.4189.4000         | Befestigungsplatte                                       | fastening plate  | -   | -   |
| 34   | 33.2274.4000         | Überwurfmutter, schwarz, 6 mm                            | union nut, black, 6 mm                                     | -   | -   |
| 35   | 00.0047.1400         | Sechskant-Shr. ISO 4017-M 4x<br>6-1.4301                 | hexagon-screw ISO 4017-M 4x<br>6-1.4301                    | -   | -   |



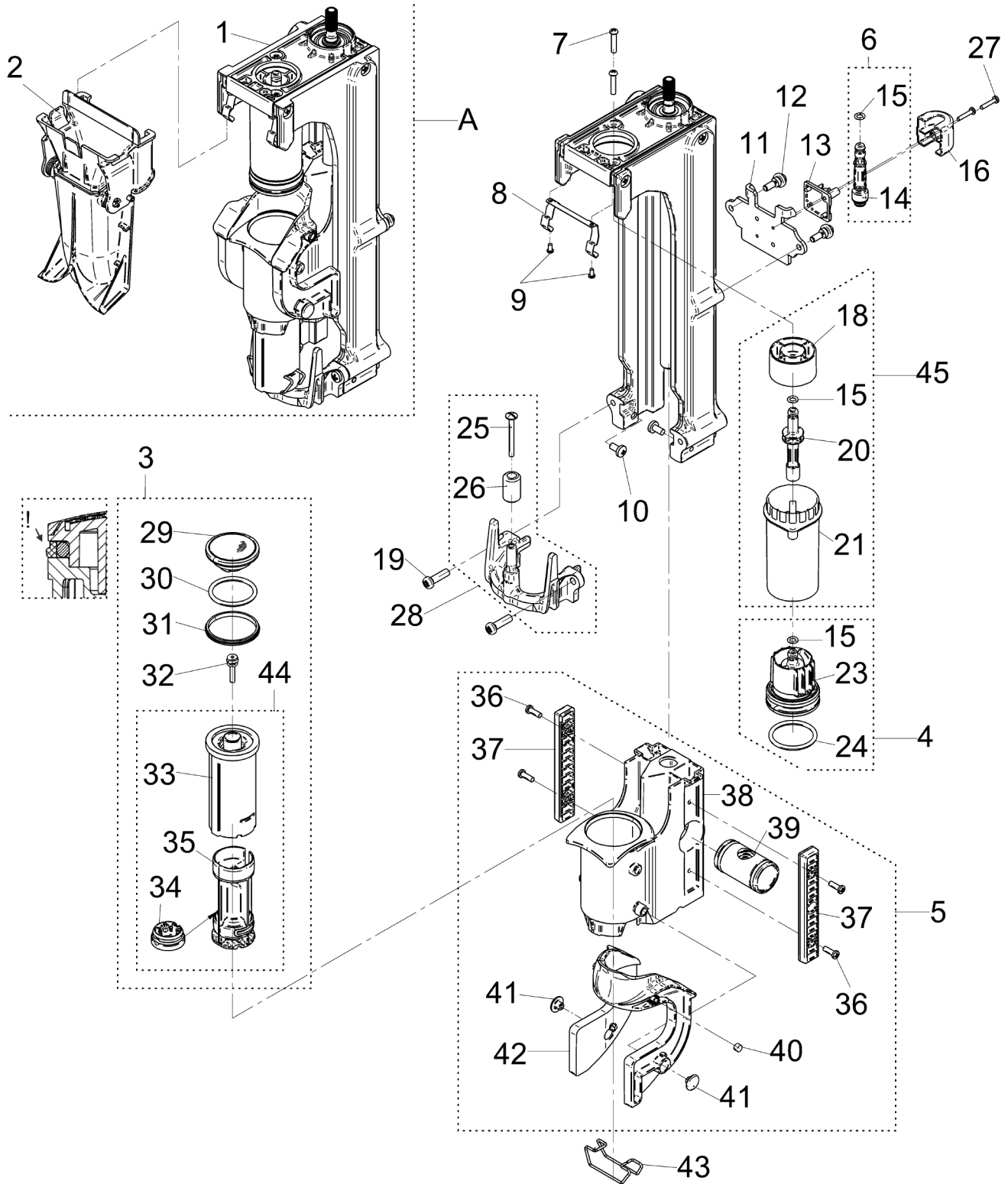
| <b>Pos.</b> | <b>Art.-Nr.<br/>Art. no.</b> | <b>Bezeichnung<br/>Tech-Info<br/>Service-Info</b> | <b>Designation<br/>Tech-Info<br/>Service-Info</b> | <b>EA1</b> | <b>EA2</b> |
|-------------|------------------------------|---|---|------------|------------|
| 36          | 33.2274.2000                 | Klemmring   | clamping ring                                     | -          | -          |
| 37          | 33.2274.0000                 | O-Ring 6,07x1,78 EPDM                             | O-ring, 6.07x1.78 EPDM                            | -          | -          |
| 38          | 33.4159.6000                 | Ultrasonic-flow-sensor                            | Ultrasonic-flow-sensor                            | -          | -          |
| 39          | 33.4335.4000                 | Winkel, Abdeckung                                 | angle, cover                                      | -          | -          |



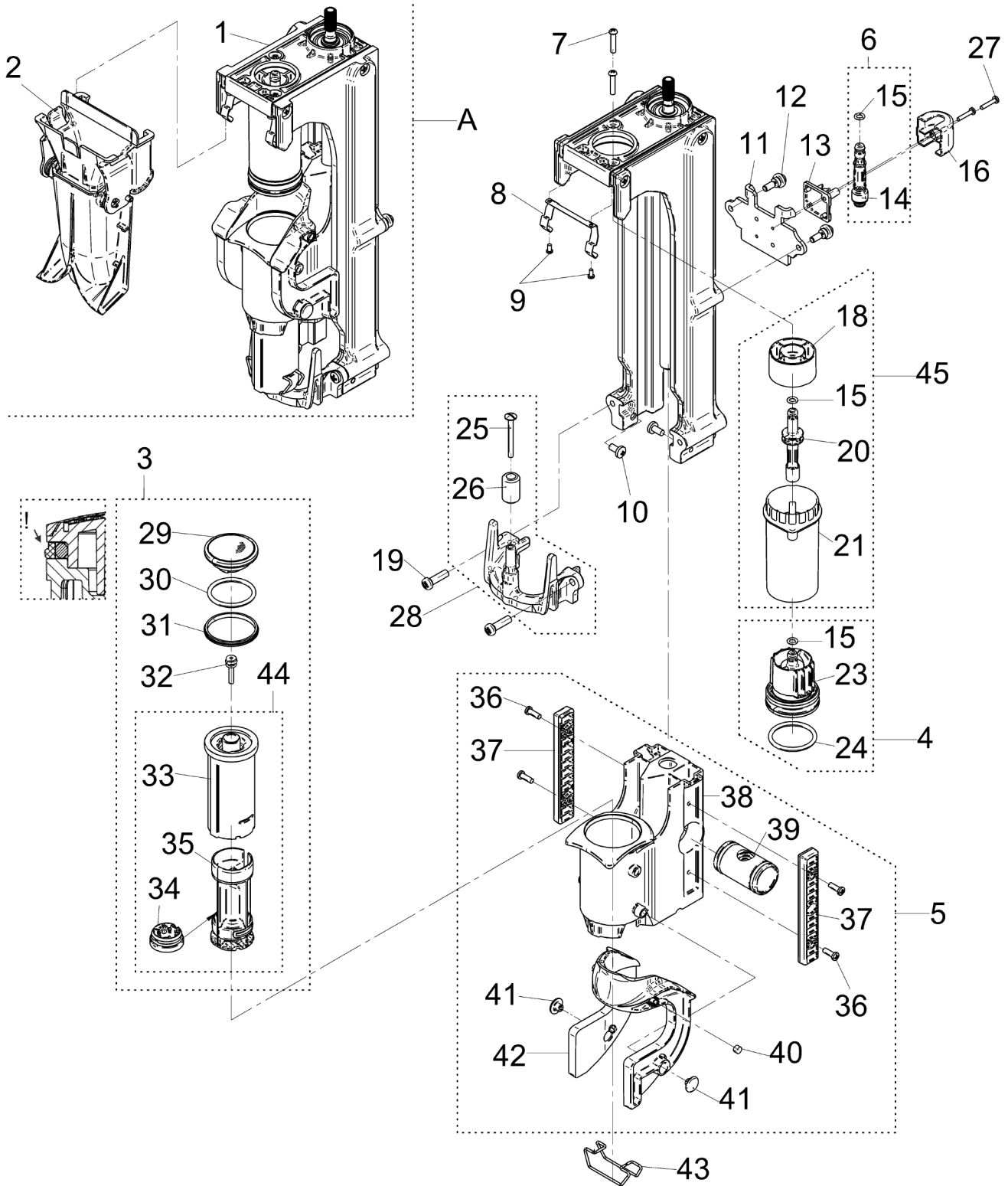
| Pos. | Art.-Nr.<br>Art. no. | Bezeichnung<br>Tech-Info<br>Service-Info  | Designation<br>Tech-Info<br>Service-Info   | EA1 | EA2 |
|------|----------------------|---|--|-----|-----|
| 1    | 33.2277.3099         | Dampfkessel 1,2 L, 240 V-5350 W<br>nur Ausführung USA   | steam boiler 1.2 L, 240 V-5350 W<br>for USA version only                                       | -   | -   |
| 1    | 33.2277.6099         | Dampfkessel 1,2 L, 230 V-2900 W<br>240V-3158W / 220V-2653W /<br>208V-2372W                    | steam boiler 1,2 L, 230 V-2900 W<br>240V-3158W / 220V-2653W /<br>208V-2372W                    | -   | -   |
| 1    | 33.2277.6199         | Dampfkessel 1,2 L, 230 V-2900 W,<br>UK<br>mit Zertifikat, nur für Ausführung UK<br>400V-9000W | Steam Boiler 1,2 L, 230 V-2900 W,<br>UK<br>with certificate, for UK 400V-9000W<br>version only | -   | -   |
| 1    | 33.2277.7099         | Dampfkessel 1,2 L, 230 V-2700 W,<br>UK<br>mit Zertifikat, nur für Ausführung UK<br>230V       | steam boiler 1.2 L, 230 V-2700 W,<br>UK<br>with certificate, for UK 230V version<br>only       | -   | -   |
| 1    | 33.2277.8099         | Dampfkessel 1,2 L, 440 V-3600 W<br>nur für Ausführung Schiff<br>440V-6100W                    | steam boiler 1,2 L, 440 V-3600 W<br>for version ship 440V-6100W only                           | -   | -   |
| 1    | 33.2277.9099         | Dampfkessel 1,2 L, 200 V-2900 W<br>nur für Ausführung Japan                                   | steam boiler 1.2 L, 200 V-2900 W<br>for Japan version only                                     | -   | -   |
| 2    | 33.2616.2100         | Isolierung<br>mit Loch  | insulation<br>with hole  | -   | -   |
| 3    | 33.2616.2000         | Isolierung  | insulation   | -   | -   |
| 4    | 33.4003.6000         | Bügel, Metall<br>93,5 mm  | bracket, metal<br>93.5 mm  | -   | -   |
| 5    | 33.2263.5000         | Schutztülle   | protective sleeve  | -   | 10  |
| 6    | 33.2688.7000         | Sicherheitstemperaturbegrenzer<br>max. Anzugsmoment 100 Ncm                                   | safety temperature limiter<br>max. fastening torque 100 Ncm                                    | -   | 5   |
| 7    | 33.7006.5135         | Klixonbefestigung   | Klixon mount   | -   | 2   |
| 8    | 33.2629.4100         | Temperaturfühler  | temperature sensor   | -   | -   |
| 10   | 33.2879.9199         | Sicherheitsventil 5 bar, UK Zertifikat<br>mit Zertifikat, nur für Ausführung UK               | safety valve 5 bar, UK certificate<br>with certificate, for UK version only                    | -   | -   |
| 10   | 33.2879.9099         | Sicherheitsventil 5 bar   | safety valve 5 bar   | -   | 1   |
| 11   | 33.2298.6000         | Rohr<br>komplett  | pipe<br>compl.   | -   | -   |
| 12   | 33.2646.6000         | Verschraubung, T  | threaded connector, T  | -   | 1   |
| 13   | 33.2254.5000         | Sechskantmutter<br>M12x1-SW17   | hexagon nut<br>M12x1-SW17  | -   | -   |
| 14   | 33.2642.5000         | Winkel<br>Ventilhalterung   | angle<br>valve fastening   | -   | -   |



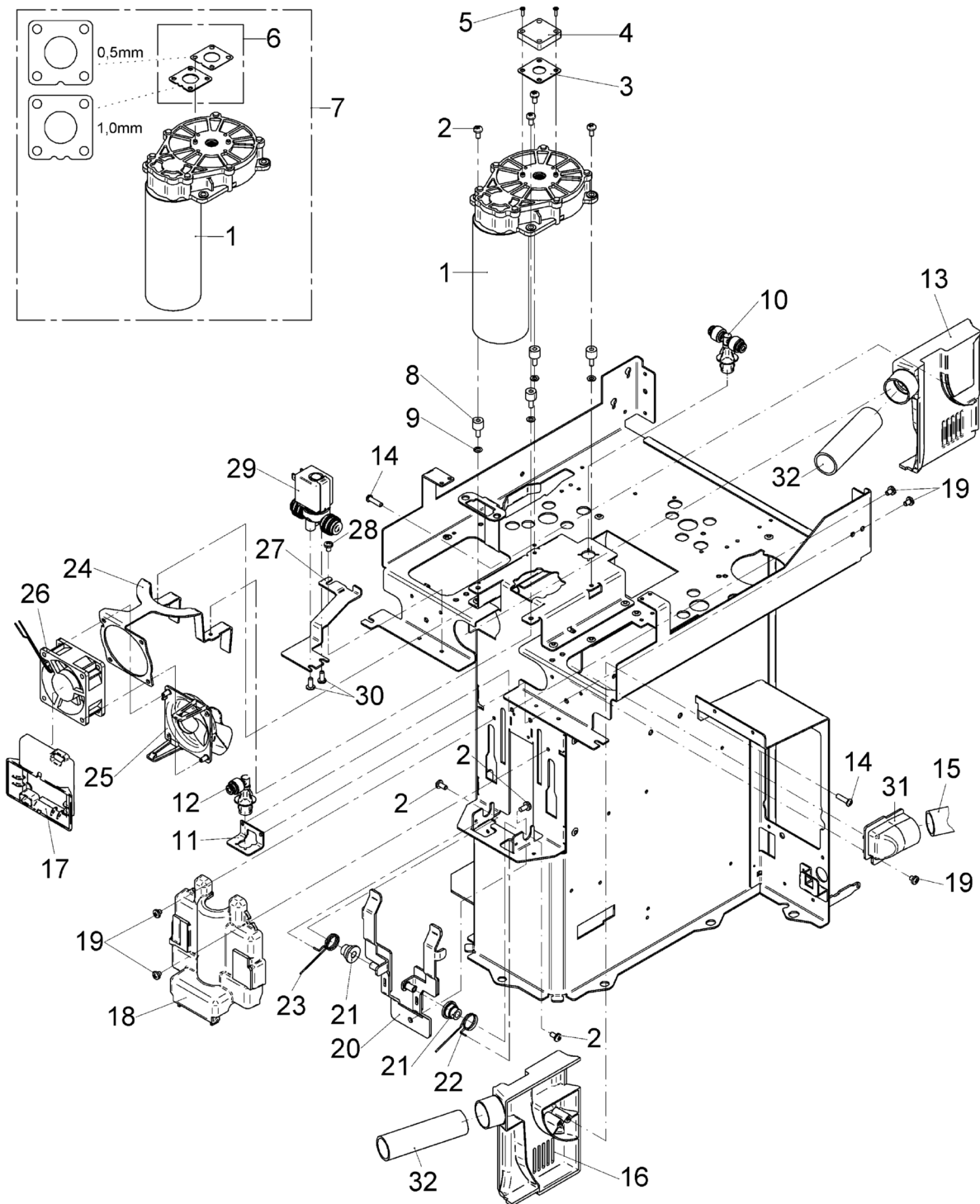
| Pos. | Art.-Nr.<br>Art. no. | Bezeichnung<br>Tech-Info<br>Service-Info                   | Designation<br>Tech-Info<br>Service-Info        | EA1 | EA2 |
|------|----------------------|--|---|-----|-----|
| 16   | 00.0047.3356         | Flkpf-Schraube ISO 7045-M 4x<br>5-1.4301-H                 | pan head screw ISO 7045-M 4x<br>5-1.4301-H      | -   | -   |
| 17   | 33.7006.8423         | Dichtung<br>8x11,5x1 Cu                                    | seal<br>8x11,5x1 Cu                             | -   | 10  |
| 20   | 33.2644.4000         | Kesselisolierung, Deckel                                   | boiler insulation, lid                          | -   | -   |
| 22   | 00.0047.3355         | Flkpf-Schraube ISO 7045-M 4x<br>4-1.4301-H                 | pan head screw ISO 7045-M 4x<br>4-1.4301-H      | -   | -   |
| 23   | 00.0047.3675         | EJOT DELTA PT-Schraube WN<br>5412-H35x10 A2                | oval head tapping screw, for plastic<br>D 3     | -   | -   |
| 24   | 33.4003.7000         | Bügel, Metall<br>79 mm                                     | bracket, metal<br>79 mm                         | -   | -   |
| 25   | 33.2904.7000         | Schlauch<br>5,0x1,5, PTFE, komplett                        | hose<br>5.0x1.5, PTFE, compl.                   | -   | 1   |
| 26   | 33.2820.5100         | Elektrode<br>komplett                                      | electrode<br>compl.                             | -   | 5   |
| 27   | 33.2290.6000         | Überwurfmutter<br>M12x1                                    | union nut<br>M12x1                              | -   | 5   |
| 28   | 00.0048.0090         | Kantenschutz PE natur für Bl.st.1,<br>3-2,2<br>125 mm lang | edge protection PE natur 1,3-2,2<br>125 mm long | -   | -   |
| 29   | 33.4137.9000         | Winkel<br>Erdung Plunger                                   | angle<br>grounding, plunger                     | -   | -   |



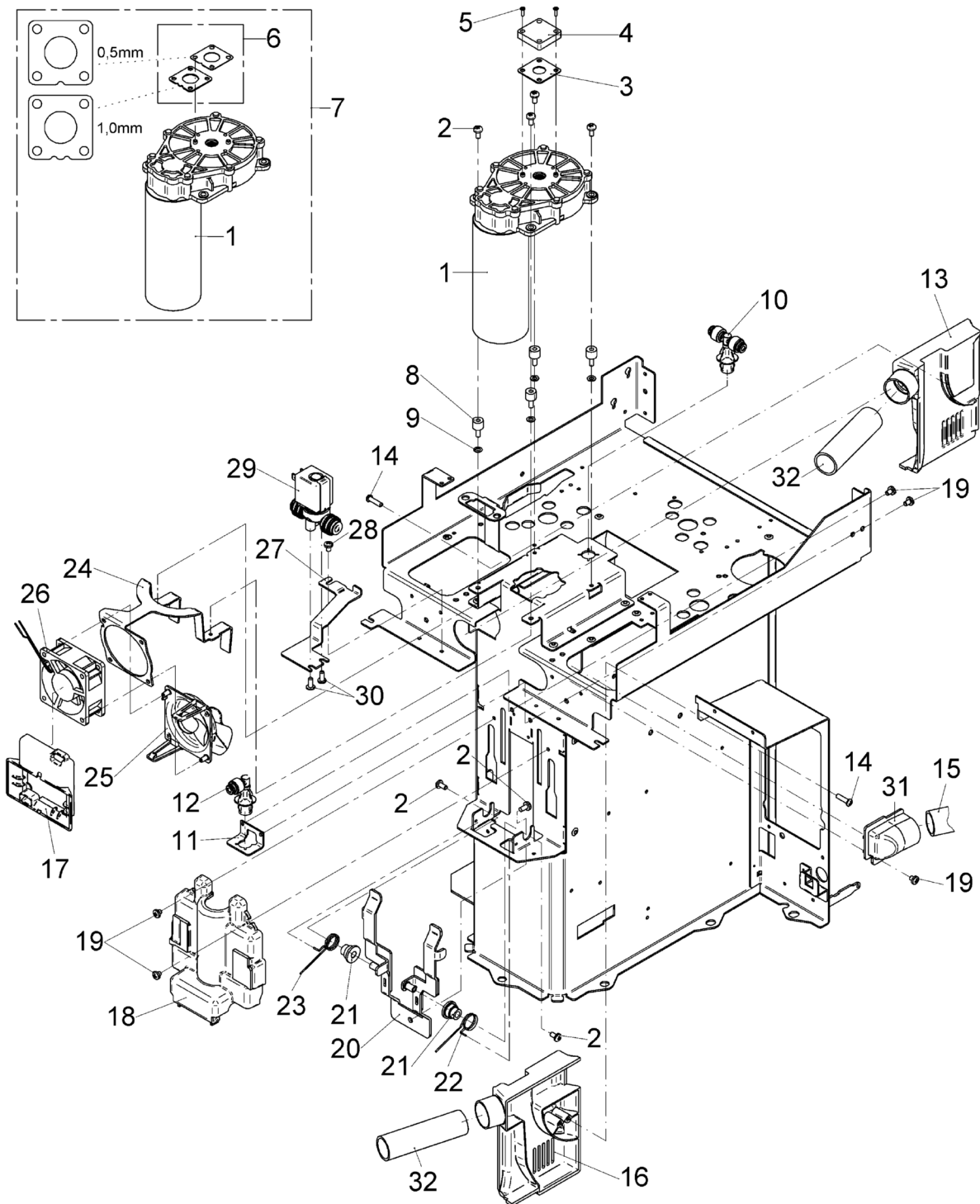
| Pos. | Art.-Nr.<br>Art. no. | Bezeichnung<br>Tech-Info<br>Service-Info  | Designation<br>Tech-Info<br>Service-Info                                | EA1 | EA2 |
|------|----------------------|---|---|-----|-----|
| 1    | 33.2804.0000         | HD-Brüher<br>komplett, nur Ersatzteil   | HD brewer<br>compl., only spare part                                    | 1   | -   |
| 2    | 33.2919.3099         | Pulvertrichter<br>komplett HD, nur Ersatzteil   | powder funnel<br>compl. spare part only                                 | 1   | -   |
| 3    | 33.2920.5000         | Kolben, unten<br>komplett HD, nur Ersatzteil  | piston, bottom<br>compl. spare part only                                | 1   | -   |
| 4    | 33.2920.6000         | Siebträger, oben<br>komplett HD, nur Ersatzteil   | portafilter, top<br>compl. spare part only                              | 1   | -   |
| 4    | 33.2883.5000         | Siebträger, oben<br>komplett HD, nur Ersatzteil, nur für<br>Ausführung FFC                      | portafilter, top<br>compl. HD, only spare part, only for<br>version FFC | -   | -   |
| 5    | 33.2920.7000         | Brühkammer<br>komplett HD, nur Ersatzteil   | brewing chamber   | -   | -   |
| 6    | 33.2920.8000         | Ersatzteilset, Wasseranschluss  | spare parts set, water connection                                       | 1   | -   |
| 7    | 00.0047.3661         | EJOT PT-Schraube KA 40x20-WN<br>1412-A2   | EJOT PT-screw KA 40x20-WN<br>1412-A2                                    | -   | -   |
| 8    | 33.7006.0887         | Federblech<br>Pulvertrichter  | spring plate<br>powder hopper   | -   | -   |
| 9    | 33.7006.2082         | Linsenkopfschraube<br>DIN7500CE-M3x6-Z  | oval head screw<br>DIN7500CE-M3x6-Z                                     | -   | -   |
| 10   | 00.0047.0946         | Zylinderschraube DIN 7984-M<br>5x10-A2  | Cylinder head screw DIN 7984-M<br>5x10-A2                               | -   | -   |
| 12   | 33.7006.0929         | Bolzen, Verriegelung  | bolt, lock  | -   | -   |
| 13   | 33.7006.0884         | Halterplatte<br>Anschluss Brühwasser  | support plate<br>connection brewing water                               | -   | -   |
| 14   | 33.7006.0856         | Wasseranschluss<br>komplett   | water connections<br>compl.   | -   | -   |
| 15   | 33.0398.4000         | O-Ring 5,28x1,78 EPDM<br>SAG Nr. 062693 gefettet mit<br>Molykotte 111, Mat.-Nr. 00 0048<br>7705 | O-ring, 5.28x1.78 EPDM  | 5   | -   |
| 16   | 33.7006.0883         | Abdeckung<br>Anschluss Brühwasser   | cover<br>connection brewing water                                       | -   | -   |
| 19   | 00.0047.0105         | Zylinderschraube ISO 7048-M<br>6x20-A2  | cheese head screw ISO 7048-M<br>6x20-A2                                 | -   | -   |
| 24   | 33.7006.0893         | O-Ring 34,29x5,33 MVQ   | O-ring, 34.29x5.33 MVQ  | 5   | -   |
| 25   | 33.7006.0923         | Becherschraube<br>M4x40 Inox  | round head screw  | -   | -   |



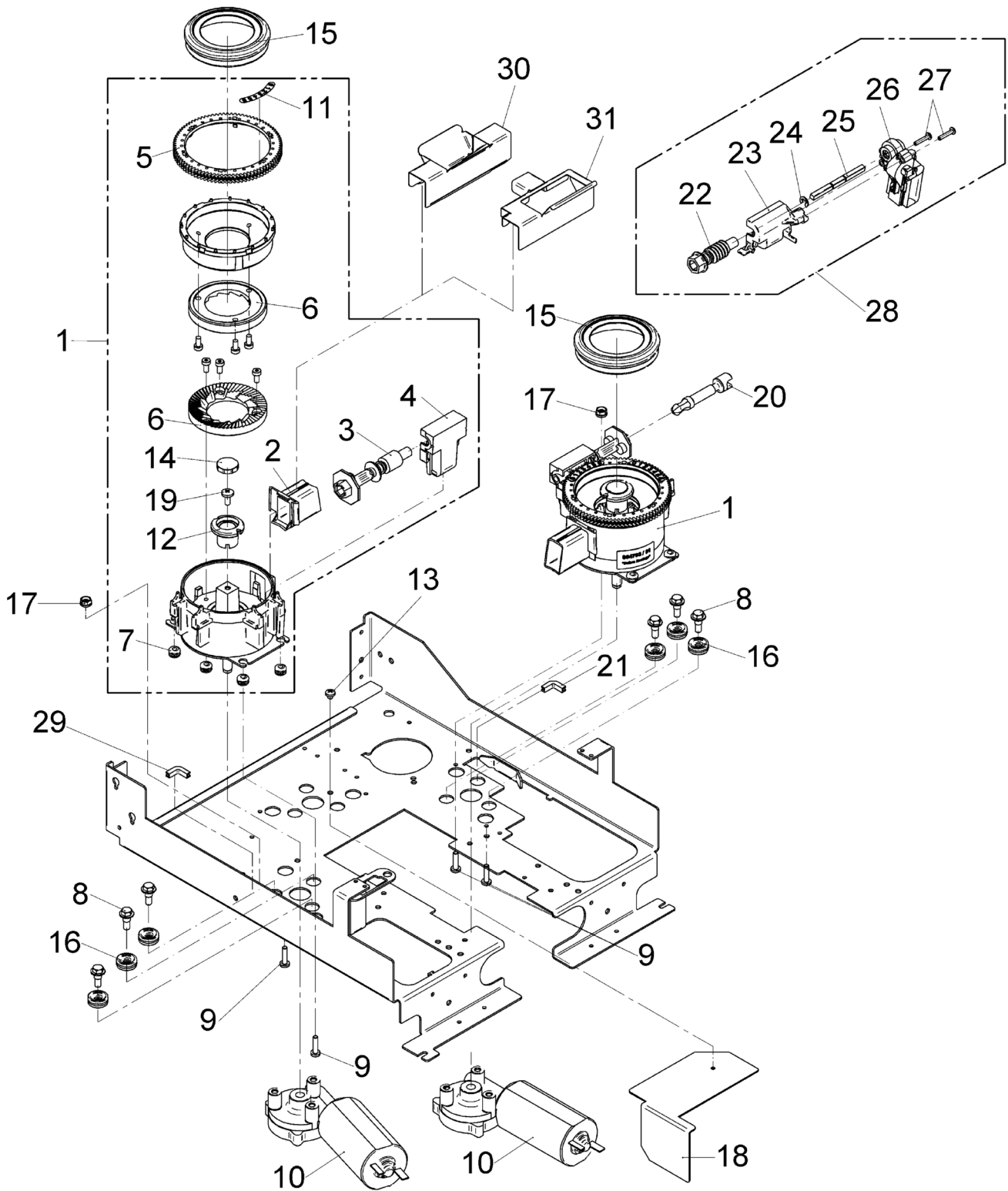
| Pos. | Art.-Nr.<br>Art. no. | Bezeichnung<br>Tech-Info<br>Service-Info    | Designation<br>Tech-Info<br>Service-Info   | EA1 | EA2 |
|------|----------------------|---|--|-----|-----|
| 26   | 33.7007.4486         | Hülse<br>Rückhaltevorrichtung               | sleeve<br>restraining device               | 2   | -   |
| 27   | 00.0047.3326         | Flkopf-Schraube ISO 7045-M<br>3x20-1.4301-H | pan head screw ISO 7045-M<br>3x20-1.4301-H | -   | -   |
| 29   | 33.7006.0847         | Siebträger, unten, geschweißt               | portafilter, bottom, welded                | 1   | -   |
| 30   | 33.1290.8000         | O-Ring 32,92x3,53                           | O-ring 32.92x3.53                          | 5   | -   |
| 31   | 33.1291.0000         | Dichtring                                   | sealing ring                               | 5   | -   |
| 36   | 00.0047.3655         | EJOT PT-Schraube KA 40x12-WN<br>1412-A2     | EJOT PT-screw KA 40x12-WN<br>1412-A2       | -   | -   |
| 37   | 33.7006.0877         | Gleiter                                     | glide                                      | -   | -   |
| 39   | 33.7006.0927         | Spindelmutter<br>Tr14x3 POM                 | spindle nut                                | -   | -   |
| 43   | 33.7006.0902         | Feder<br>Rückhaltevorrichtung               | spring                                     | 1   | -   |
| 44   | 33.7006.0916         | Halterung<br>Kolben unten komplett          | holder<br>piston bottom, compl.            | -   | -   |
| 45   | 33.2920.3000         | Halterung<br>Kolben oben                    | holder<br>upper piston                     | 1   | -   |



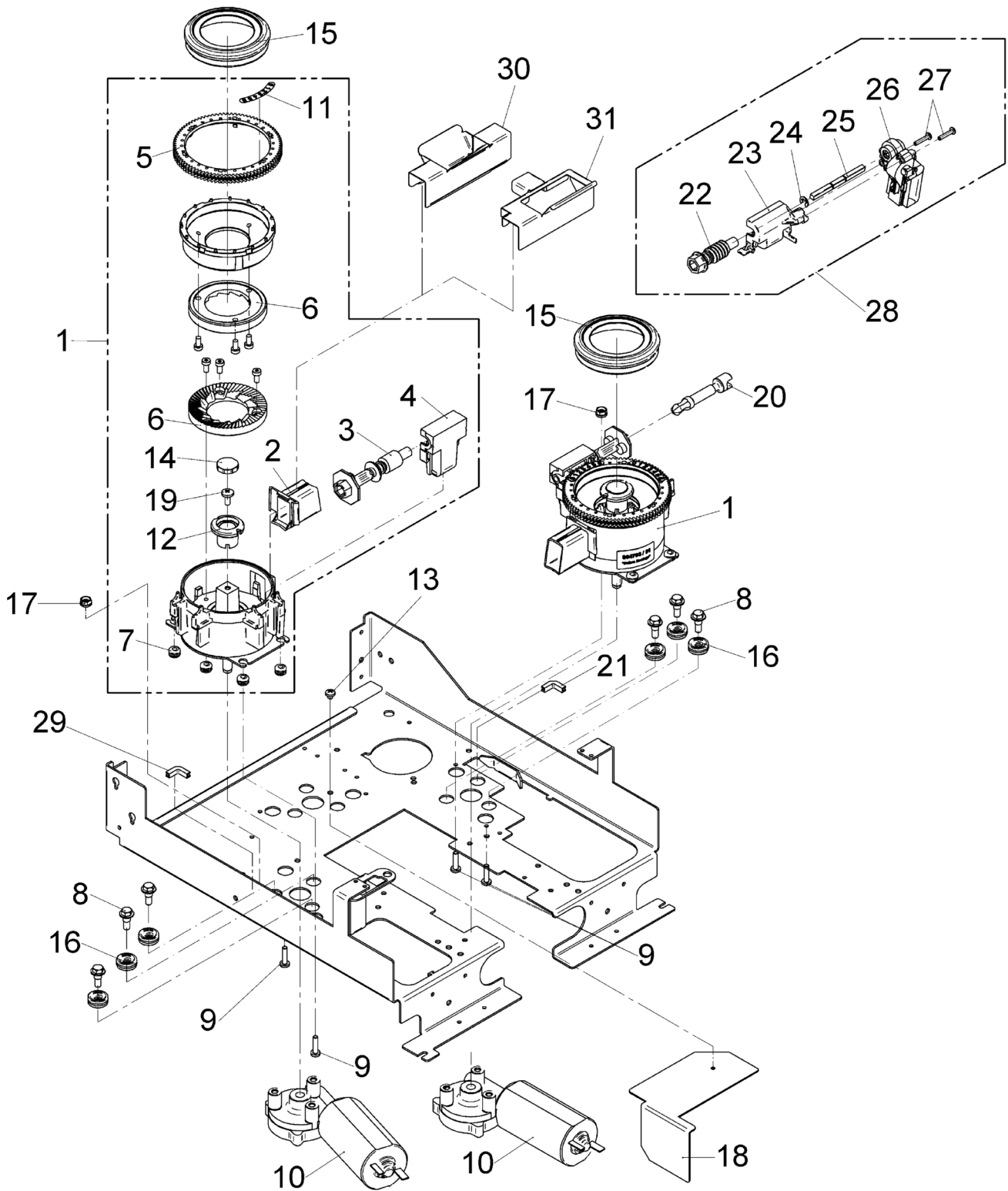
| Pos. | Art.-Nr.<br>Art. no. | Bezeichnung<br>Tech-Info<br>Service-Info                          | Designation<br>Tech-Info<br>Service-Info                              | EA1 | EA2 |
|------|----------------------|---|---|-----|-----|
| 2    | 00.0047.3361         | Flkpf-Schraube ISO 7045-M 4x<br>8-1.4301-H<br>Anzugsmoment 0,3 Nm | pan head screw ISO 7045-M 4x<br>8-1.4301-H<br>fastening torque 0.3 Nm | -   | -   |
| 3    | 33.2647.1100         | Blech, Abstandshalter<br>0,5 mm                                   | plate, spacer<br>0.5 mm   | -   | -   |
| 3    | 33.2647.1000         | Blech, Abstandshalter<br>1,0 mm                                   | plate, spacer<br>1.0 mm   | -   | -   |
| 4    | 33.2433.0000         | Winkelsensor  | angle sensor  | 1   | -   |
| 5    | 00.0047.3664         | EJOT PT-Schraube KA 25x10-WN<br>1411-A2                           | EJOT PT-screw KA 25x10 WN<br>1411-A2                                  | -   | -   |
| 6    | 33.2908.1000         | Set, Distanzbleche<br>0,5 mm + 1,0 mm                             | set, spacers<br>0.5 mm + 1.0 mm                                       | -   | -   |
| 7    | 33.2908.2000         | Brüherantrieb<br>mit Set Distanzbleche                            | brewer drive<br>with set of spacers                                   | -   | -   |
| 8    | 33.2592.8000         | Puffer  | buffer  | -   | -   |
| 9    | 00.0047.2141         | Scheibe ISO 7092- 4-1.4301  | washer ISO 7092- 4-1.4301   | -   | -   |
| 10   | 33.7006.0905         | Buchse<br>Steckanschluss L-Stück                                  | bushing<br>plug-in connection elbow                                   | -   | -   |
| 10   | 33.7006.0906         | Buchse, Steckanschluss<br>T-Stück, Jet-Option                     | bushing, plug-in connection<br>tee piece, jet option                  | 1   | -   |
| 11   | 33.2439.0000         | Winkel<br>Brühwasseranschluss                                     | angle<br>brewing water connection                                     | -   | -   |
| 12   | 33.7006.0905         | Buchse<br>L-Stück   | bushing<br>L-piece  | -   | -   |
| 13   | 33.4020.6000         | Brüherführung, rechts   | brewer guide, right   | -   | -   |
| 14   | 00.0047.3629         | EJOT PT-Schraube KA 40x16-WN<br>1412-A2                           | EJOT PT-screw KA 40x16-WN<br>1412-A2                                  | -   | -   |
| 16   | 33.4020.5000         | Brüherführung, links  | brewer guide, left  | -   | -   |
| 17   | 33.2642.8000         | Elastomerteil<br>Ventilator                                       | elastomere part<br>fan  | -   | -   |
| 18   | 33.4021.7000         | Abdeckung   | cover   | -   | -   |
| 19   | 00.0047.3355         | Flkpf-Schraube ISO 7045-M 4x<br>4-1.4301-H                        | pan head screw ISO 7045-M 4x<br>4-1.4301-H                            | -   | -   |



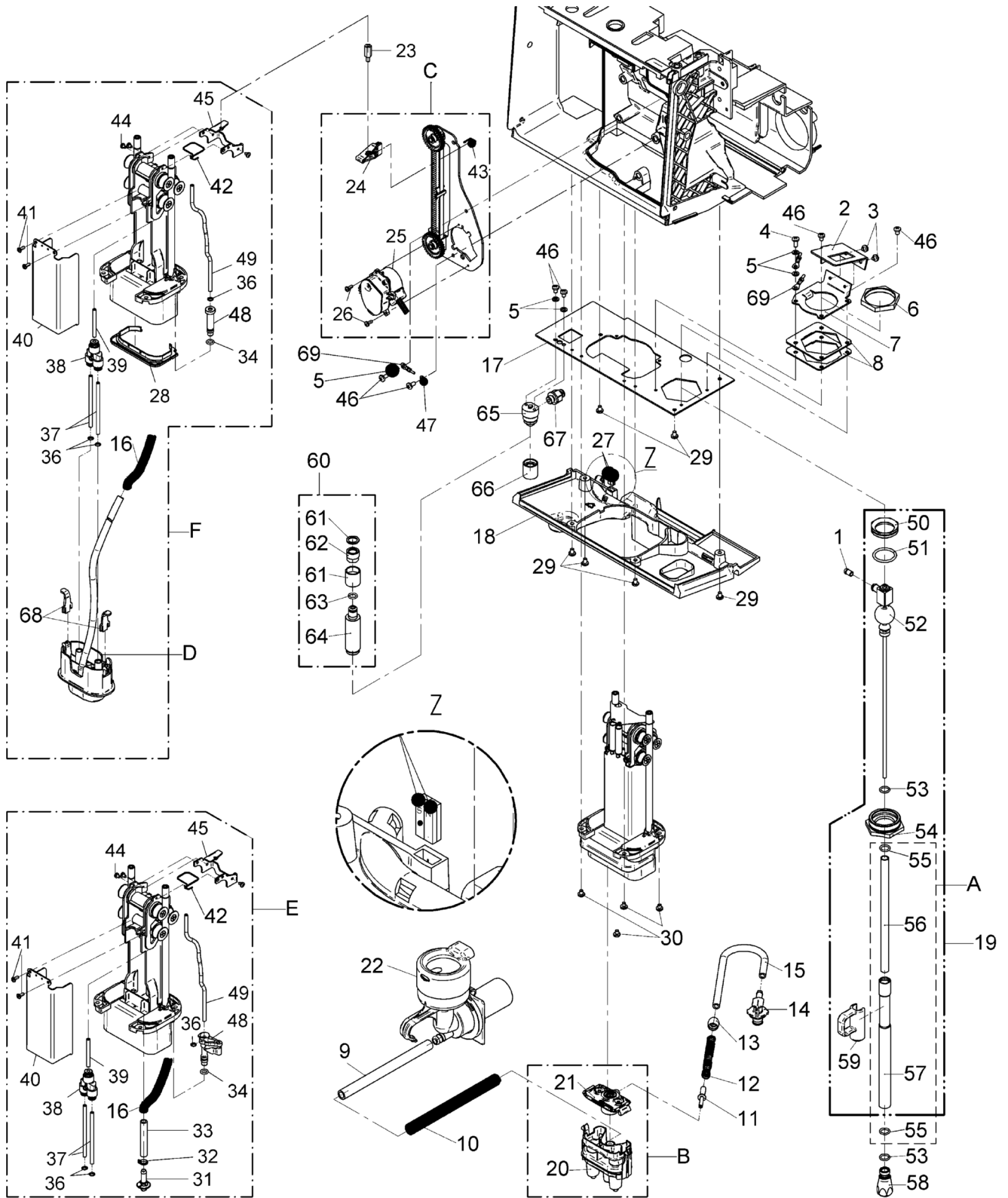
| Pos. | Art.-Nr.<br>Art. no. | Bezeichnung<br>Tech-Info<br>Service-Info                              | Designation<br>Tech-Info<br>Service-Info                              | EA1 | EA2 |
|------|----------------------|---|---|-----|-----|
| 20   | 33.2855.6000         | Verriegelung, Brüher<br>kpl.  | lock, brewer<br>compl.  | -   | -   |
| 21   | 33.4020.7000         | Rolle   | roller  | -   | -   |
| 22   | 33.7006.5197         | Feder, rechts   | spring, right   | -   | -   |
| 23   | 33.7006.5198         | Feder, links  | spring, left  | -   | -   |
| 24   | 33.4019.9000         | Winkel<br>Halterung Ventilator  | angle<br>holder, fan  | -   | -   |
| 25   | 33.4020.4000         | Ventilatorverteiler   | fan manifold  | -   | -   |
| 26   | 33.2588.3000         | Ventilator<br>24 V, low noise   | fan<br>24 V, low noise  | -   | -   |
| 27   | 33.4021.8000         | Winkel<br>Brüherventil  | angle<br>Brewing valve  | -   | -   |
| 28   | 00.0047.3358         | Flkpf-Schraube ISO 7045-M 4x<br>6-1.4301-H                            | pan head screw ISO 7045-M 4x<br>6-1.4301-H                            | -   | -   |
| 30   | 00.0047.3653         | EJOT PT-Schraube KA 40x10 WN<br>1411-A2                               | EJOT PT-screw KA 40x10 WN<br>1411-A2                                  | -   | -   |
| 31   | 33.4027.8000         | Verbindungsstück<br>Entlüftung, Choc                                  | connector piece<br>vent, Choc   | -   | -   |
| 32   | 00.0048.0042         | Ablaufschlauch DN 19 PP grau<br>95 mm lang                            | discharge hose DN 19 PP grey<br>95 mm long                            | -   | -   |
| 33   | 00.0047.3361         | Flkpf-Schraube ISO 7045-M 4x<br>8-1.4301-H<br>Anzugsmoment 0,3 Nm     | pan head screw ISO 7045-M 4x<br>8-1.4301-H<br>fastening torque 0,3 Nm | -   | -   |
| 33   | 00.0047.0726         | Rändelschraube DIN 464-M 4x 6-MS<br>vernick<br>nur bei Ausführung USA | SCREW<br>knurled screw M4x6, only for version<br>USA                  | -   | -   |



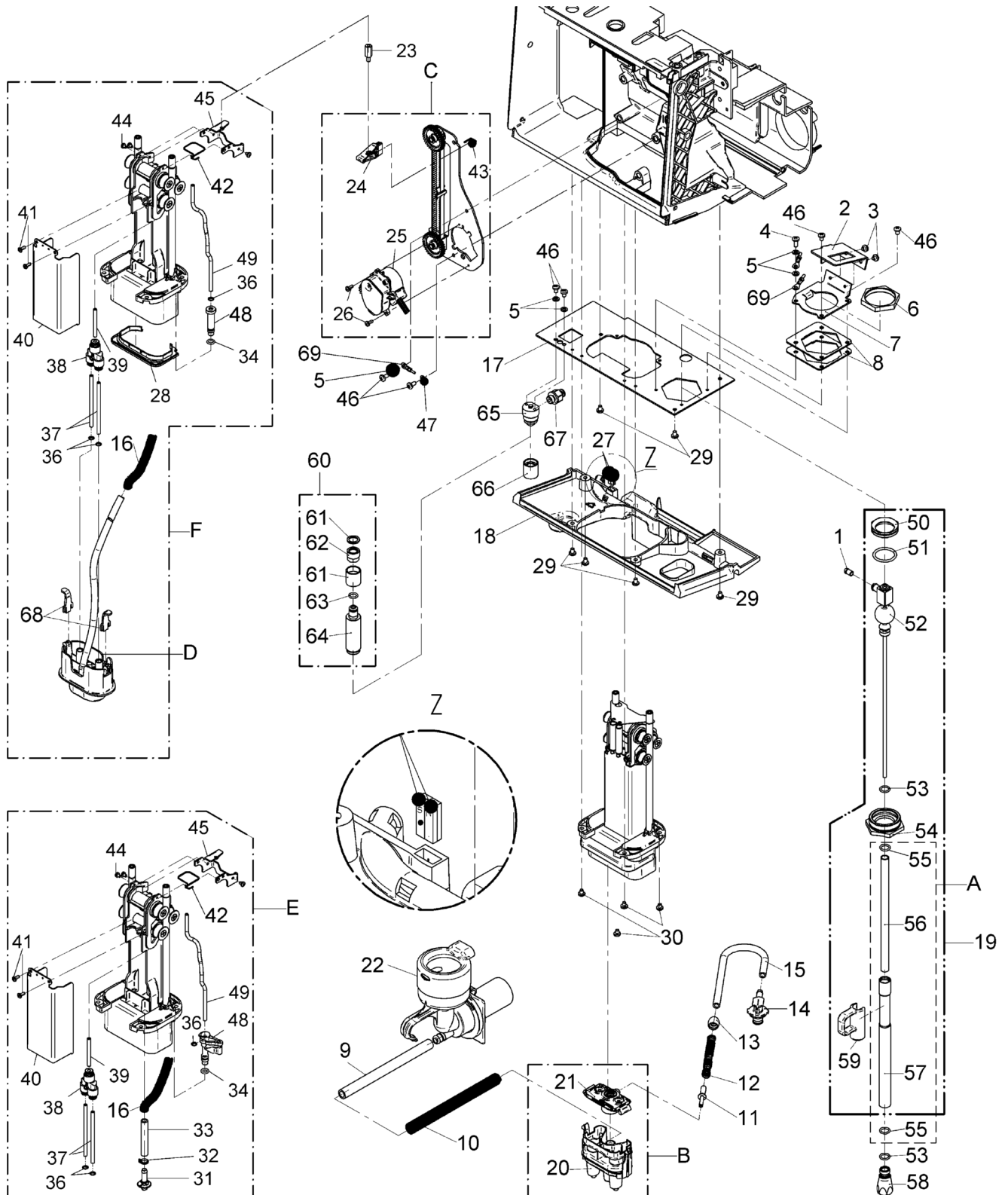
| Pos. | Art.-Nr.<br>Art. no. | Bezeichnung<br>Tech-Info<br>Service-Info  | Designation<br>Tech-Info<br>Service-Info   | EA1 | EA2 |
|------|----------------------|---|--|-----|-----|
| 1    | 33.7006.4704         | Mühle 48, rechts<br>ggf. Pos. 28 montieren  | grinder 48, right<br>if applicable install pos. 28                                       | -   | 1   |
| 1    | 33.7006.4703         | Mühle 47, mitte, links<br>ggf. Pos. 3 + 4 ummontieren oder<br>Pos. 28 montieren         | grinder 47, center, left<br>if applicable re-fit Pos. 3+4 or install<br>Pos. 28          | -   | -   |
| 2    | 33.7006.2437         | Pulverauslauf, kurz<br>nur Ersatzteil   | powder spout, short<br>spare part only   | -   | -   |
| 3    | 33.7006.3718         | Schneckenwelle<br>nur Ersatzteil  | worm shaft<br>spare part only  | -   | -   |
| 4    | 33.7006.2425         | Wellenlager<br>nur Ersatzteil   | shaft bearing<br>spare part only   | -   | -   |
| 5    | 33.7007.0465         | Stirnrad, Mühle<br>nur Ersatzteil   | gear, grinder<br>spare part only   | -   | -   |
| 6    | 33.7007.1412         | Ersatzmahlscheibenset<br>nur Ersatzteil   | replacement grinder disc set<br>spare part only  | -   | -   |
| 7    | 33.1499.9000         | Durchführungstülle<br>nur Ersatzteil  | rubber funnel<br>spare part only   | -   | -   |
| 8    | 00.0047.1450         | Sechskant-Shr. ohne DIN-M 5x14,<br>3-A2K<br>Anzugsmoment 6+0,2Nm                        | hexagon-screw without DIN-M<br>5x14.3-A2K<br>torque 6+0.2 Nm                             | -   | -   |
| 9    | 00.0047.3365         | Flkopf-Schraube ISO 7045-M<br>4x16-1.4301-H   | pan head screw ISO 7045-M<br>4x16-1.4301-H   | -   | -   |
| 10   | 33.2253.2000         | Mühlenmotor   | grinder motor  | -   | 1   |
| 11   | 33.2316.6000         | Klebeschild, Mahlgrad<br>nur Ersatzteil   | adhesive label, grinding degree<br>spare part only                                       | -   | -   |
| 12   | 33.2642.1000         | Fingerschutz<br>nur Ersatzteil  | finger guard<br>spare part only  | -   | -   |
| 13   | 00.0047.3355         | Flkopf-Schraube ISO 7045-M 4x<br>4-1.4301-H<br>nur bei 1 Mühle oder 1 Mühle +<br>Pulver | pan head screw ISO 7045-M 4x<br>4-1.4301-H<br>only at 1 grinder or 1 grinder +<br>powder | -   | -   |
| 14   | 33.7007.0629         | Deckel, Fingerschutz<br>nur Ersatzteil  | lid, finger guard<br>spare part only   | -   | -   |
| 15   | 33.2642.0000         | Reduzierring  | reducing bush  | -   | -   |
| 16   | 33.2602.6000         | Dämmung, Mühle  | insulation, grinder  | -   | -   |
| 17   | 33.2509.0000         | Schnellbefestigungsmutter   | quick-connect nut  | -   | -   |
| 18   | 33.2659.5100         | Abdeckblech-Muehlenmotor_Mitte<br>nur bei 1 Mühle oder 1 Mühle +<br>Pulver              | cover plate grinder motor middle<br>only at 1 grinder or 1 grinder +<br>powder           | -   | -   |



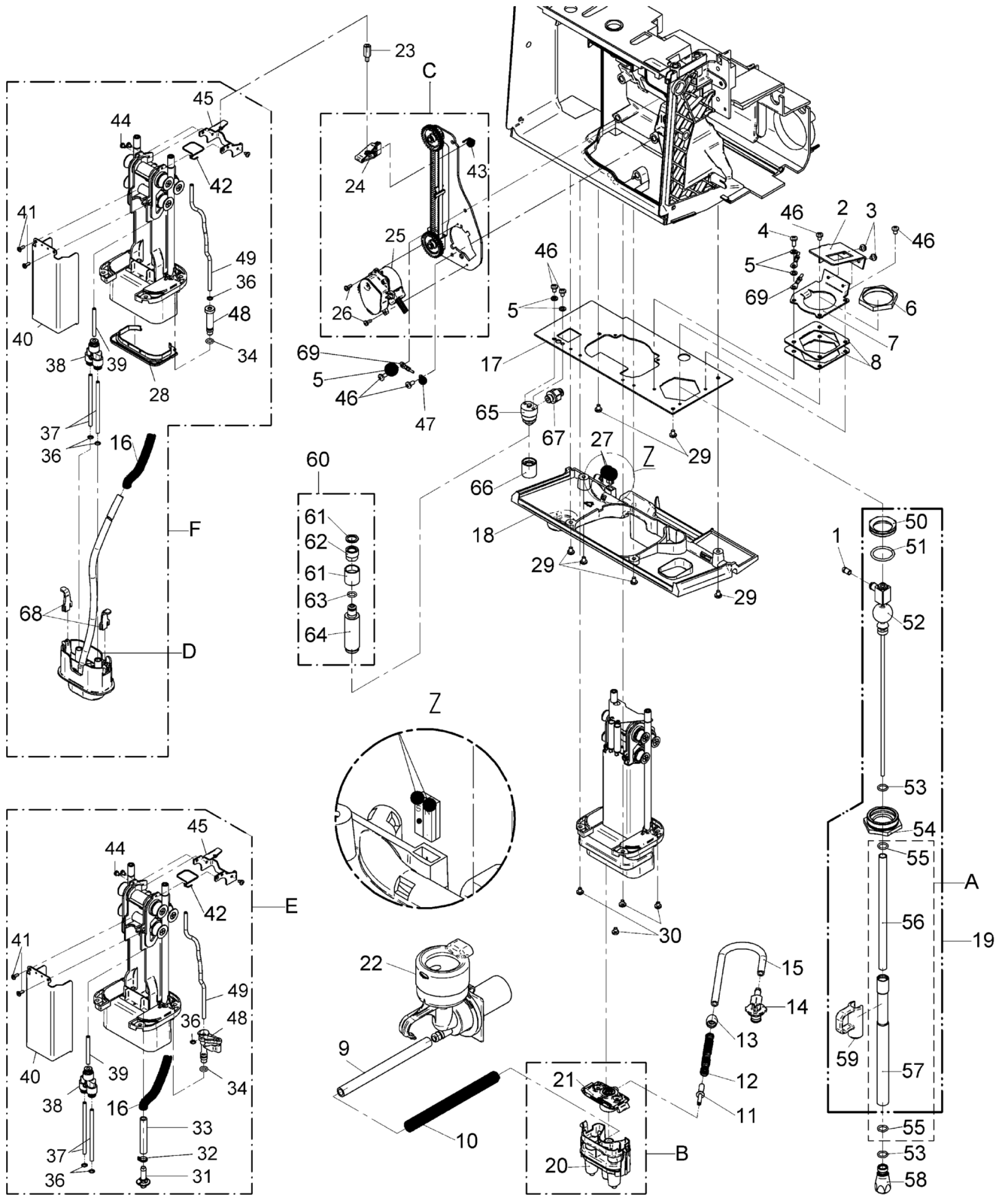
| Pos. | Art.-Nr.<br>Art. no. | Bezeichnung<br>Tech-Info<br>Service-Info                     | Designation<br>Tech-Info<br>Service-Info                      | EA1 | EA2 |
|------|----------------------|--|---|-----|-----|
| 19   | 00.0047.3363         | Flkpf-Schraube ISO 7045-M<br>4x10-1.4301-H<br>nur Ersatzteil | pan head screw ISO 7045-M<br>4x10-1.4301-H<br>spare part only | -   | -   |
| 20   | 33.2640.7000         | Bolzen<br>nur bei 3 Produkten                                | bolt<br>only at 3 products                                    | -   | -   |
| 21   | 00.0048.0090         | Kantenschutz PE natur für Bl.st.1,<br>3-2,2<br>35 mm lang    | edge protection PE natur 1,3-2,2<br>35mm                      | -   | -   |
| 22   | 33.7007.1949         | Schneckenwelle   | worm shaft  | -   | -   |
| 23   | 33.4119.6000         | DC Wellenlager   | DC shaft bearing  | -   | -   |
| 24   | 00.0047.2245         | Sicherungsscheibe DIN 6799-<br>4-1.4122                      | locking washer DIN 6799- 4-1.4122                             | -   | -   |
| 25   | 33.4119.9000         | Vierkantstange   | sqare bar steel   | -   | -   |
| 26   | 33.2921.1000         | Antrieb  | drive   | -   | -   |
| 27   | 00.0047.3642         | EJOT PT-Schraube KA 30x16-WN<br>1411-A2                      | EJOT PT-screw KA 30x16-WN<br>1411-A2                          | -   | -   |
| 28   | 33.2931.9000         | Mahlgradverstellung_elektrisch_DC                            | grind adjustment electric DC                                  | -   | 1   |
| 29   | 00.0048.0090         | Kantenschutz PE natur für Bl.st.1,<br>3-2,2<br>90 mm lang    | edge protection PE natur 1,3-2,2<br>90mm                      | -   | -   |
| 30   | 33.4110.1300         | Streuschutz<br>Mühlen links / rechts                         | dispersion guard  | -   | -   |
| 31   | 33.4325.1000         | Winkel, kpl.<br>Mühlen mitte / rechts                        | angle, compl.   | -   | -   |



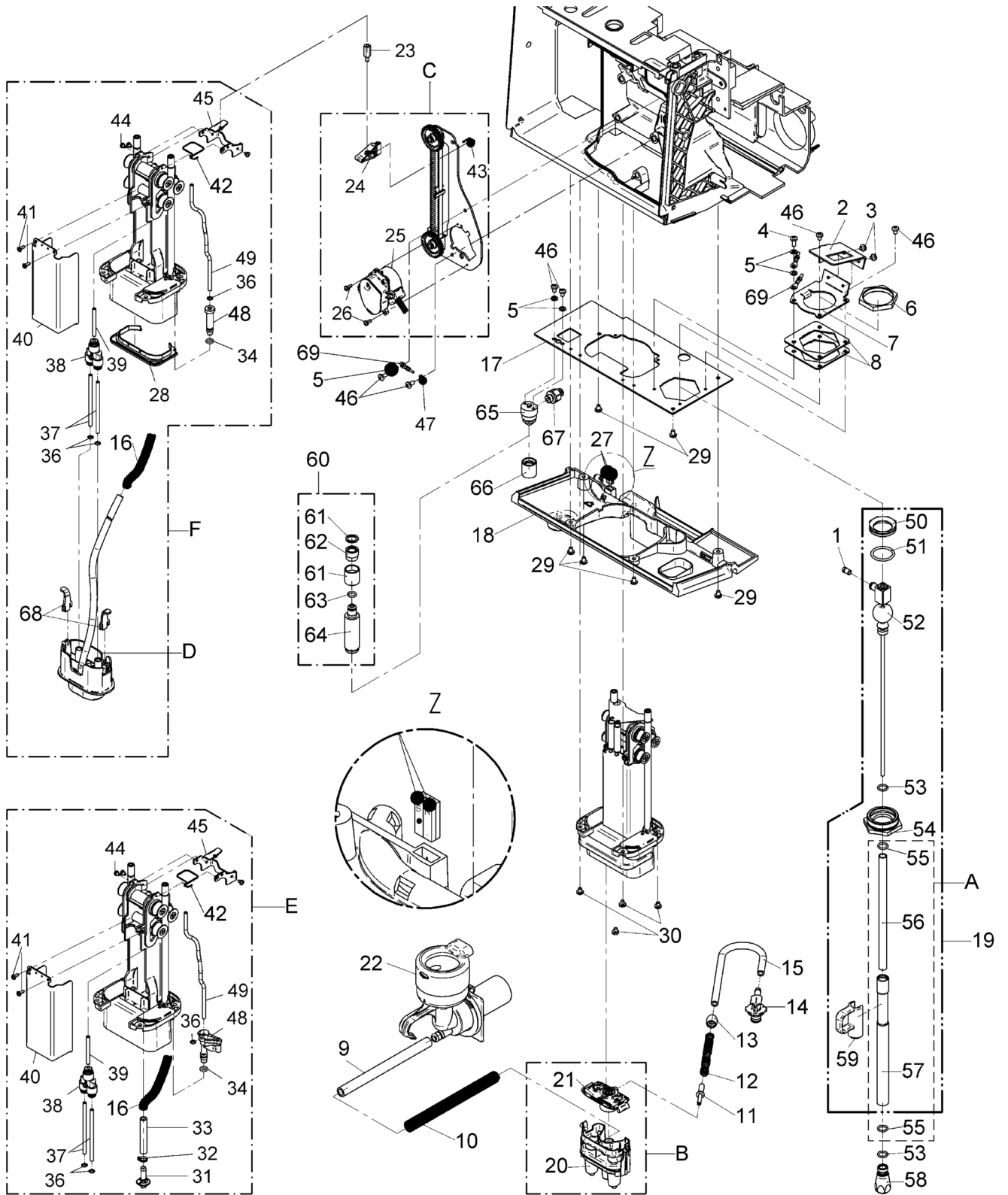
| Pos. | Art.-Nr.<br>Art. no. | Bezeichnung<br>Tech-Info<br>Service-Info                                    | Designation<br>Tech-Info<br>Service-Info                            | EA1 | EA2 |
|------|----------------------|---|---|-----|-----|
| 1    | 33.2508.1000         | Blende 2,2 mm   | aperture 2.2 mm   | -   | -   |
| 2    | 33.2503.8300         | Winkel<br>Steamer   | angle   | -   | -   |
| 3    | 00.0047.3355         | Flkpf-Schraube ISO 7045-M 4x<br>4-1.4301-H                                  | pan head screw ISO 7045-M 4x<br>4-1.4301-H                          | -   | -   |
| 4    | 00.0047.3363         | Flkpf-Schraube ISO 7045-M<br>4x10-1.4301-H                                  | pan head screw ISO 7045-M<br>4x10-1.4301-H                          | -   | -   |
| 5    | 00.0047.2251         | Zahnscheibe DIN 6797-A 4,3-1.4300   | tooth lock washer DIN 6797-A 4,<br>3-1.4300                         | -   | -   |
| 6    | 33.2503.9000         | Mutter  | nut   | -   | -   |
| 7    | 33.2503.8400         | Winkel<br>Steamer unten   | angle<br>steamer bottom   | -   | -   |
| 8    | 33.4024.8000         | Blech, Abstandshalter<br>Steamer  | plate, spacer   | -   | -   |
| 9    | 00.0048.0064         | Schlauch 8,0x2,0 Silicon<br>250 mm lang, nur bei Ausführung<br>Pulver       | tube 8,0x2,0 Silicon<br>250mm. For powder version only              | -   | -   |
| 10   | 33.2292.6100         | Feder<br>nur bei Ausführung Pulver  | spring<br>for powder version only                                   | -   | -   |
| 11   | 33.2614.9000         | Düse, 1,5 mm<br>nur bei Ausführung Easy Milk                                | nozzle, 1.5<br>for Easy Milk only                                   | -   | 5   |
| 12   | 33.0190.3000         | Feder<br>nur bei Ausführung Easy Milk                                       | spring<br>Easy Milk version only                                    | -   | -   |
| 13   | 33.2180.5000         | Hülse<br>nur bei Ausführung Easy Milk                                       | sleeve<br>Easy Milk version only                                    | -   | -   |
| 14   | 33.4073.5000         | Schlauchadapter_Plug_and_Clean<br>_2K                                       | Hose_Connector_Plug_and_Clean<br>_2K                                | -   | -   |
| 15   | 00.0048.4948         | Schlauch 5,0x1,5 Silikon transparent<br>Länge siehe Rohrplan                | tube 5,0x1,5 silicone transparent<br>length refer to piping diagram | -   | -   |
| 16   | 33.2412.9000         | Feder   | spring  | -   | -   |
| 18   | 33.4226.6400         | Kaschierteil, HW  | laminated part, hot water   | -   | -   |
| 18   | 33.4226.6500         | Kaschierteil, Steamer, 1950   | laminated part, steamer, 1950                                       | -   | -   |
| 18   | 33.4226.6100         | Kaschierteil<br>bei Ausführung Heisswasser zentral<br>und ohne Dampfausgabe | laminated part<br>version hot water central and w/o<br>steamer      | -   | -   |



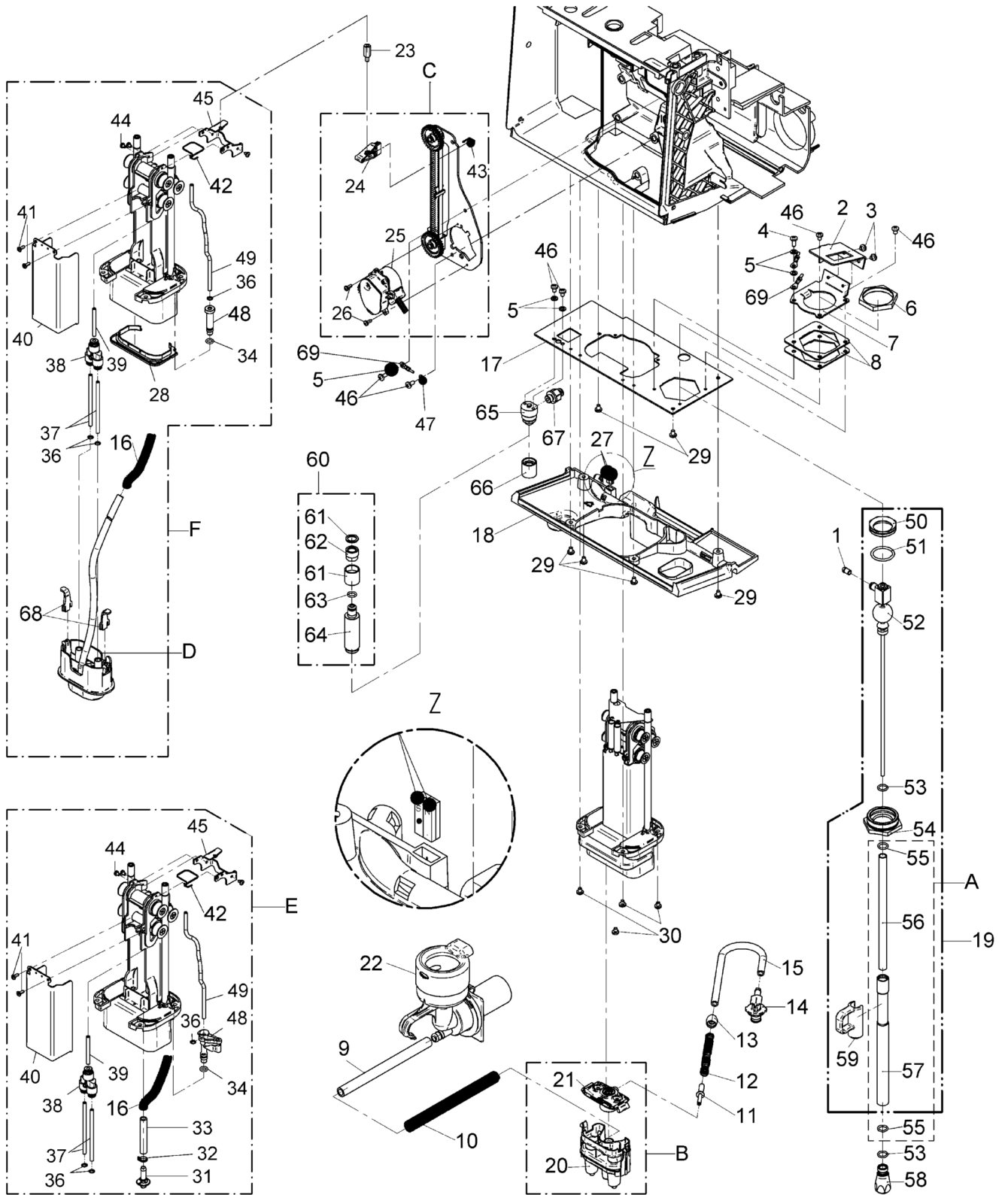
| Pos. | Art.-Nr.<br>Art. no. | Bezeichnung<br>Tech-Info<br>Service-Info   | Designation<br>Tech-Info<br>Service-Info  | EA1 | EA2 |
|------|----------------------|--|---|-----|-----|
| 19   | 33.2882.4099         | Steamer<br>mit Sensor, nur Ersatzteil  | steam wand  | -   | -   |
| 20   | 33.2553.1000         | Milchschaumer, doppel<br>nur Ersatzteil, Easy Milk                                     | milk foamer, double<br>spare part only, Easy Milk   | -   | -   |
| 20   | 33.2549.0400         | Auslauf, Milchschaumer, einzel   | spout, milk foamer, single  | -   | -   |
| 21   | 33.2864.3300         | Dampfdüse<br>nur Ersatzteil, grün  | steam nozzle<br>spare part only, green  | -   | -   |
| 23   | 33.2270.7000         | Abstandsbolzen   | spacer bolt   | -   | -   |
| 24   | 33.4166.0000         | Mitnehmer  | Carrier   | -   | -   |
| 26   | 00.0047.3318         | Flkpf-Schraube ISO 7045-M 3x<br>8-1.4301-H   | pan head screw ISO 7045-M 3x<br>8-1.4301-H  | -   | -   |
| 27   | 33.2658.0000         | Magnet<br>2x in Tasche einlegen links:<br>schwarzer Punkt vorne rechts:<br>andersherum | magnet<br>2x, place in pocket of lamin. prt left:<br>black dot (=south pole) to the front<br>right: other way rd. | -   | -   |
| 28   | 33.4189.0000         | Abdeckung<br>nur bei Ausführung DYM  | cover<br>DYM version only   | -   | -   |
| 29   | 00.0047.3358         | Flkpf-Schraube ISO 7045-M 4x<br>6-1.4301-H   | pan head screw ISO 7045-M 4x<br>6-1.4301-H  | -   | -   |
| 30   | 00.0047.3356         | Flkpf-Schraube ISO 7045-M 4x<br>5-1.4301-H   | pan head screw ISO 7045-M 4x<br>5-1.4301-H  | -   | -   |
| 31   | 33.2696.9000         | Nippel, Anschluss<br>nur bei Ausführung Easy Milk                                      | plug, connection<br>Easy Milk version only  | -   | 2   |
| 32   | 33.2541.8000         | Kabelbinder<br>nur bei Ausführung Easy Milk  | cable clip<br>Easy Milk version only  | -   | -   |
| 33   | 00.0048.4948         | Schlauch 5,0x1,5 Silikon transparent<br>Länge siehe Rohrplan                           | tube 5,0x1,5 silicone transparent<br>length refer to piping diagram   | -   | -   |
| 34   | 33.0397.0000         | O-Ring 6,07x1,78 EPDM  | O-ring, 6.07x1.78 EPDM  | -   | -   |
| 36   | 33.2296.3000         | Kralle   | claw  | -   | -   |
| 37   | 00.0048.4949         | Schlauch 2,0x1,0 PTFE<br>Länge siehe Rohrplan  | Hose 2.0x1.0 PTFE<br>length refer to piping diagram   | -   | -   |
| 38   | 33.2266.6000         | Steckanschluss Y 4-4-4   | plug-in connection Y 4-4-4  | -   | -   |
| 39   | 00.0048.4949         | Schlauch 2,0x1,0 PTFE<br>Länge siehe Rohrplan  | Hose 2.0x1.0 PTFE<br>length refer to piping diagram   | -   | -   |



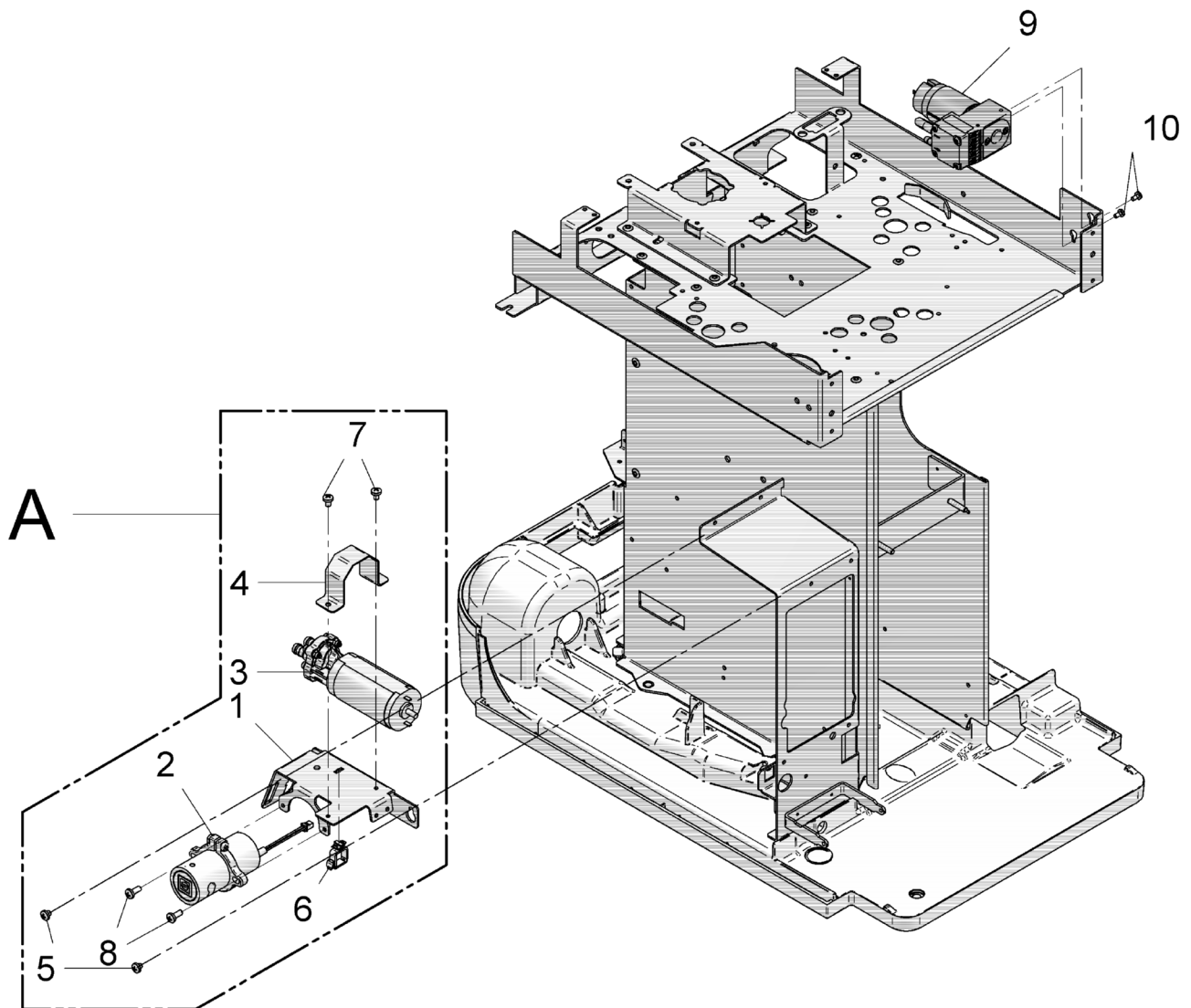
| Pos. | Art.-Nr.<br>Art. no. | Bezeichnung<br>Tech-Info<br>Service-Info                                     | Designation<br>Tech-Info<br>Service-Info                                      | EA1 | EA2 |
|------|----------------------|--|---|-----|-----|
| 40   | 33.4024.3000         | Verkleidung  | cover   | -   | -   |
| 41   | 00.0047.3640         | EJOT PT-Schraube KA 30x 8-WN<br>1411-A2                                      | EJOT PT-screw KA 30x 8-WN<br>1411-A2  | -   | -   |
| 43   | 33.4244.1000         | Federklammer   | spring clip   | -   | -   |
| 44   | 00.0047.3312         | Flkpf-Schraube ISO 7045-M 3x<br>4-A2-H                                       | pan head screw ISO 7045-M 3x<br>4-A2-H  | -   | -   |
| 46   | 00.0047.3361         | Flkpf-Schraube ISO 7045-M 4x<br>8-1.4301-H<br>Anzugsmoment 1,2 Nm            | pan head screw ISO 7045-M 4x<br>8-1.4301-H<br>tightening torque 1,2 Nm        | -   | -   |
| 47   | 00.0047.2211         | Federing DIN 127-B 4-1.4310  | spring washer DIN 127-B 4-1.4310  | -   | -   |
| 48   | 33.4189.3000         | Nippel<br>nur bei DYM HW mittig  | plug<br>in version DYM HW centered only                                       | -   | -   |
| 48   | 33.2553.5000         | Hebel<br>nur bei Ausführung Easy Milk  | lever<br>Easy Milk version only   | -   | -   |
| 49   | 00.0048.0074         | Schlauch 2,5x0,75 PFA natur<br>Länge siehe Rohrplan                          | tube 2,5x0,75 PFA natur<br>length refer to piping diagram                     | -   | -   |
| 50   | 33.2503.7000         | Anschlussstück   | connection piece  | -   | -   |
| 51   | 33.2503.6000         | O-Ring 23,47x2,62 EPDM<br>gefettet mit Molykote 111 Mat.-Nr. 00<br>0048 7705 | O-ring, 23.47x2.62 EPDM<br>greased with Molykote 111 Mat.-Nr.<br>00 0048 7705 | -   | -   |
| 52   | 33.4026.9000         | Temperaturfühler   | temperature sensor  | -   | -   |
| 53   | 33.1580.3000         | O-Ring 8,00x2,00 EPDM  | O-ring, 8.00x2.00 EPDM  | -   | -   |
| 54   | 33.2503.5200         | Mutter   | nut   | -   | -   |
| 55   | 33.0395.3000         | O-Ring 9,25x1,78 EPDM  | O-ring, 9.25x1.78 EPDM  | -   | -   |
| 57   | 33.2621.4200         | Dampfentnahmerohr  | steam extraction pipe   | -   | -   |
| 58   | 33.2658.7000         | Mischdüse  | mixing nozzle   | -   | -   |
| 58   | 33.2658.7100         | Mischdüse, PEEK  | mixing nozzle, PEEK   | -   | -   |
| 59   | 33.2071.9000         | Griff<br>Dampf   | handle<br>steam   | -   | -   |



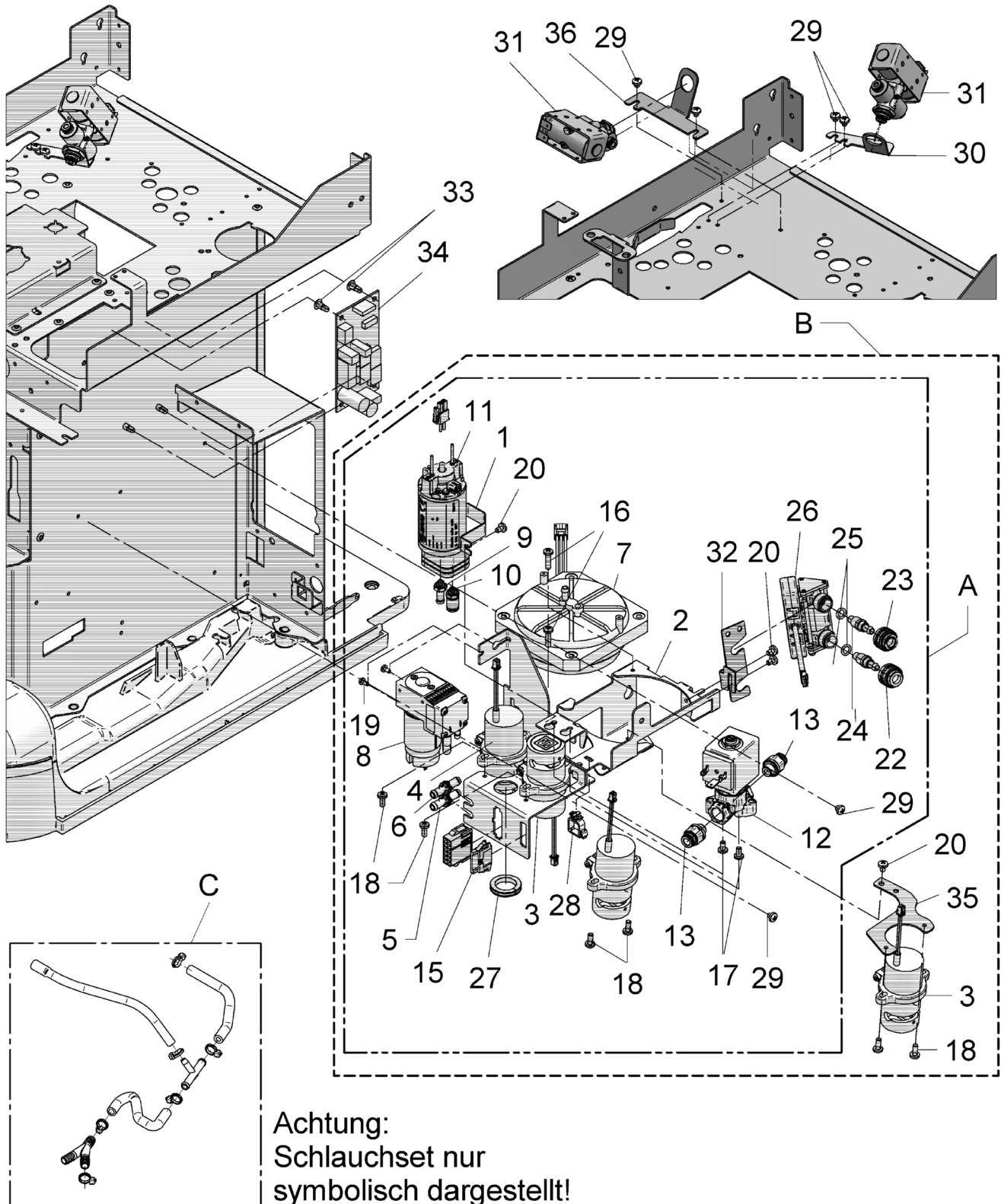
| Pos. | Art.-Nr.<br>Art. no. | Bezeichnung<br>Tech-Info<br>Service-Info                     | Designation<br>Tech-Info<br>Service-Info                       | EA1 | EA2 |
|------|----------------------|--|--|-----|-----|
| 60   | 33.9949.9000         | Auslauf, Heißwasser<br>klein                                 | spout, hot water<br>small                                      | -   | -   |
| 61   | 33.4025.2000         | Strahlregler<br>M16x1, ohne Perlator-Einsatz                 | aerator  | -   | -   |
| 62   | 33.9482.4000         | Auslauf, Heißwasser<br>Adapter klein                         | spout, hot water<br>adapter small                              | -   | -   |
| 63   | 33.0396.1000         | O-Ring 7,65x1,78 NBR   | O-ring, 7.65x1.78 NBR  | -   | -   |
| 65   | 33.4026.1000         | Anschlussstück<br>Heisswasser                                | connection piece<br>hot water                                  | -   | -   |
| 65   | 33.4026.1200         | Anschlussstück<br>nur bei HW mittig mit Steamer              | connection piece<br>only for hot water central with<br>steamer | -   | -   |
| 66   | 33.4025.2000         | Strahlregler<br>M16x1  | aerator  | -   | -   |
| 67   | 33.2393.6000         | Steckanschluss I 4-G1_8<br>gerade, Einschraub-Verbindung 1/8 | plug-in connection I 4-G1_8                                    | -   | -   |
| 68   | 33.4304.2000         | Riegel   | bar  | -   | -   |
| 69   | 33.4350.5000         | Kabelsatz, Schutzleiter                                      | cable set, equipment grounding<br>conductor                    | -   | -   |
| A    | 33.2882.7099         | Rohr, kpl.   | pipe, compl.   | -   | -   |
| B    | 33.2867.5300         | Milchschaumer, doppel<br>grün, Easy Milk                     | milk foamer, double<br>green, Easy Milk                        | -   | 2   |
| B    | 33.2867.6400         | Milchschaumer, einzel  | milk foamer, single  | -   | -   |
| C    | 33.2938.7000         | Motorische Auslaufverstellung                                | Spout drive  | -   | -   |
| D    | 33.2919.0100         | Auslauf, DYM, doppel<br>nur Ersatzteil                       | spout, DYM, double<br>spare part only                          | -   | -   |
| D    | 33.2920.0100         | Auslauf, DYM, einzel<br>nur Ersatzteil                       | spout, DYM, single<br>spare part only                          | -   | -   |
| E    | 33.2912.9900         | Auslauf Basic/Easy Milk Motor HW<br>mittig                   | Spout Basic/Easy Milk Motor HW<br>center                       | -   | -   |
| E    | 33.2912.9800         | Auslauf Basic/Easy Milk Motor HW<br>rechts<br>ohne Pos. 49   | Spout Basic/Easy Milk Motor HW<br>right<br>without pos. 49     | -   | -   |
| E    | 33.2949.0800         | Auslauf, Basic/Easy, Motor, HW,<br>FFC                       | spout, Basic/Easy, motor, HW, FFC                              | -   | -   |



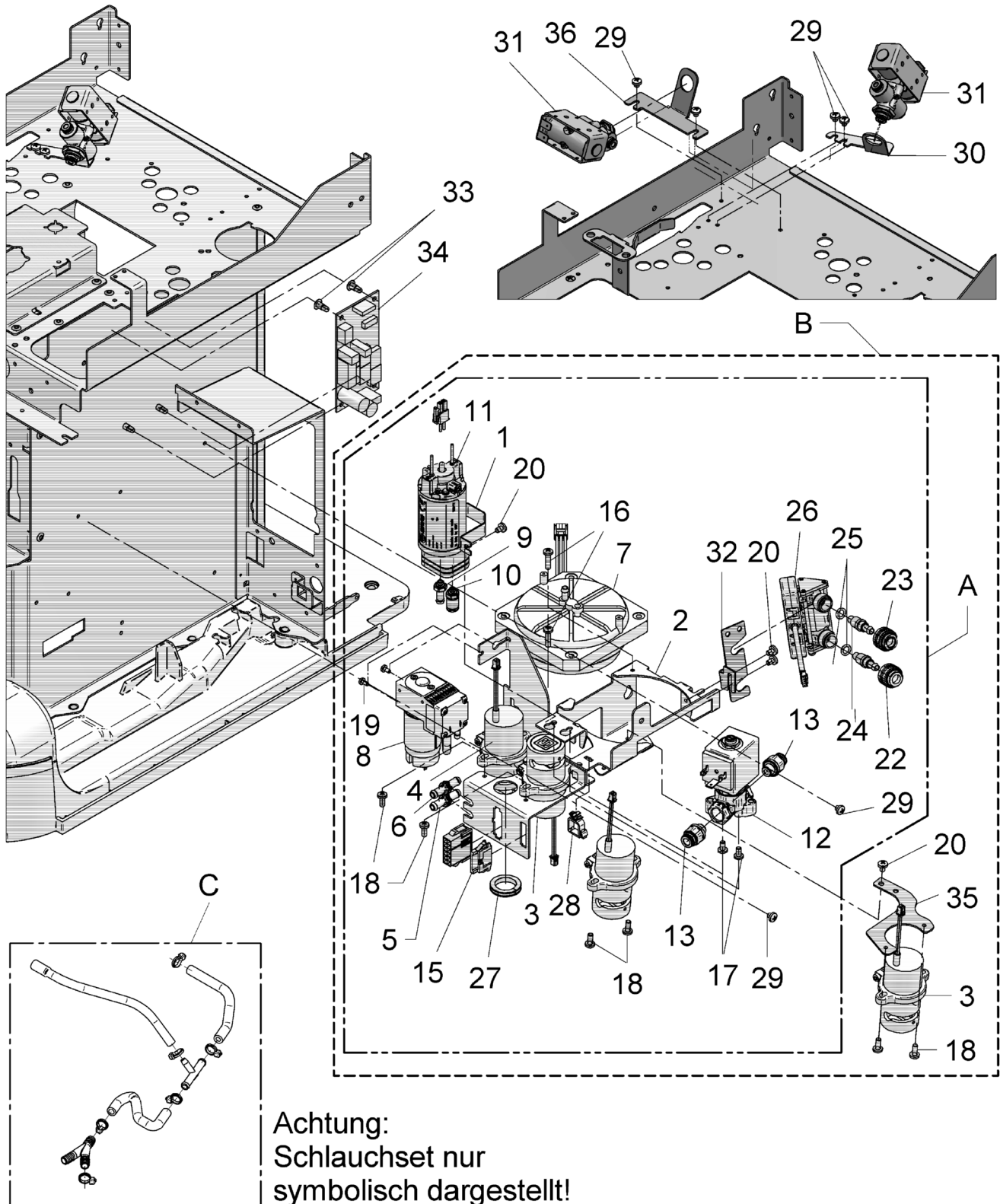
| Pos. | Art.-Nr.<br>Art. no. | Bezeichnung<br>Tech-Info<br>Service-Info                         | Designation<br>Tech-Info<br>Service-Info                      | EA1 | EA2 |
|------|----------------------|--|---|-----|-----|
| E    | 33.2949.3000         | Auslauf, Basic/Easy, Motor, FFC<br>ohne Pos. 49                  | spout, Basic/Easy, motor, FFC<br>without pos. 49              | -   | -   |
| F    | 33.2949.0000         | Auslauf DYM Motor, einzel, HW<br>mittig                          | Spout DYM Motor, single, HW center                            | -   | -   |
| F    | 33.2949.0100         | Auslauf DYM Motor, einzel, HW<br>rechts<br>ohne Pos. 34, 48 + 49 | Spout DYM Motor, single, HW right<br>without pos 34, 48 + 49  | -   | -   |
| F    | 33.2949.0200         | Auslauf DYM Motor, doppel, HW<br>mittig                          | Spout DYM Motor, double, HW<br>center                         | -   | -   |
| F    | 33.2949.0400         | Auslauf DYM Motor doppel, HW<br>mittig, FFC                      | Spout DYM Motor, double, HW<br>center, DTC                    | -   | -   |
| F    | 33.2949.0500         | Auslauf DYM Motor einzel, HW<br>mittig, FFC                      | Spout DYM Motor, single, HW<br>center, DTC                    | -   | -   |
| F    | 33.2949.3200         | Auslauf, DYM, Motor, doppel, FFC<br>ohne Pos. 34, 48 + 49        | spout, DYM, motor, double, FFC<br>without pos. 34, 48 + 49    | -   | -   |
| F    | 33.2949.3300         | Auslauf, DYM, Motor, einzel, FFC<br>ohne Pos. 34, 48 + 49        | spout, DYM, motor, single, FFC<br>without pos. 34, 48 + 49    | -   | -   |
| F    | 33.2912.9700         | Auslauf DYM Motor, doppel, HW<br>rechts<br>ohne Pos. 34, 48 + 49 | Spout DYM motor, double, HW right<br>without pos. 34, 48 + 49 | -   | -   |



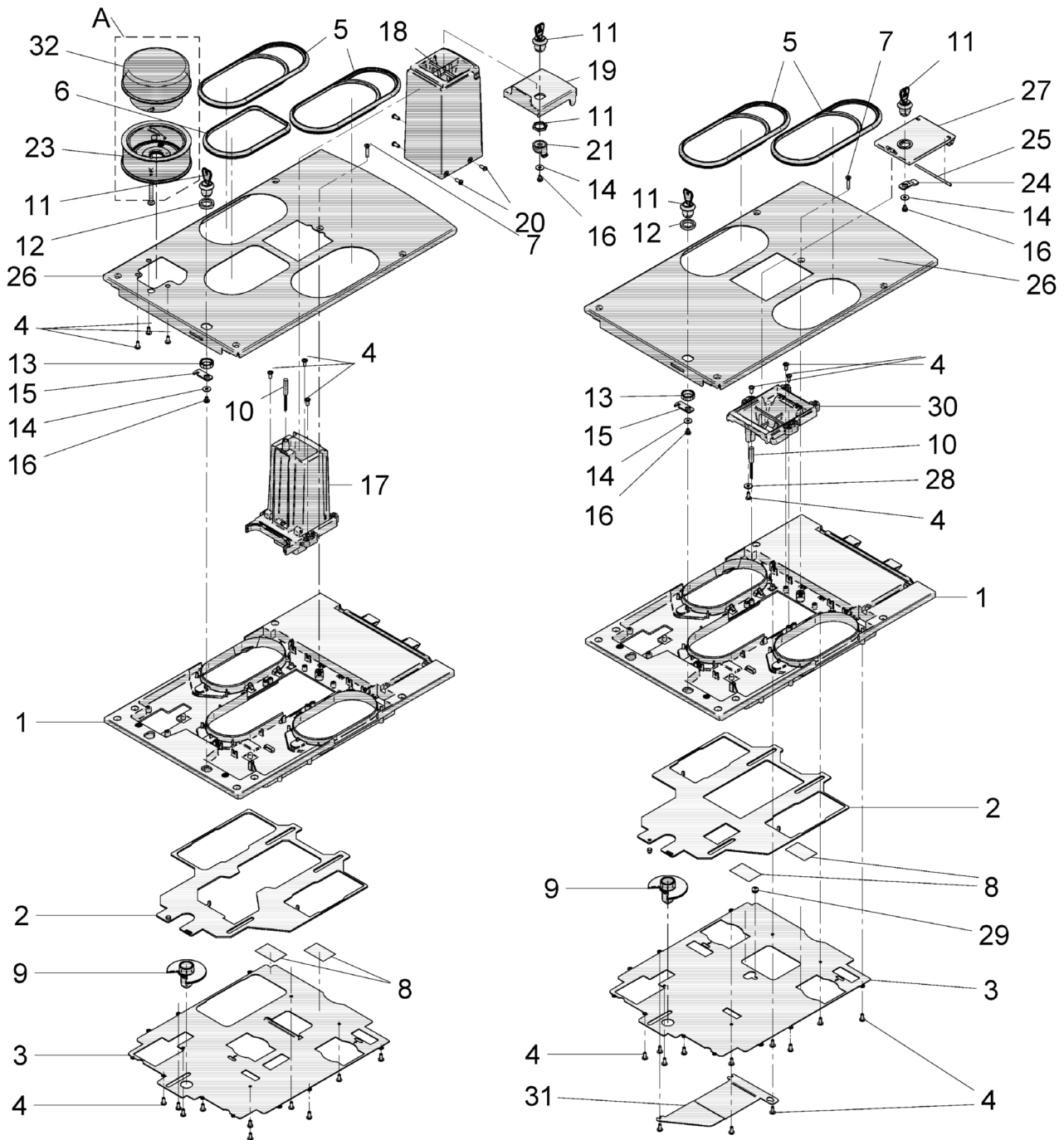
| Pos. | Art.-Nr.<br>Art. no. | Bezeichnung<br>Tech-Info<br>Service-Info  | Designation<br>Tech-Info<br>Service-Info                                  | EA1 | EA2 |
|------|----------------------|---|---|-----|-----|
| 2    | 33.4109.2000         | Klemmventil 2/2, ohne Elektronik  | pinch valve 2/2, no electronics   | -   | -   |
| 3    | 33.2646.9100         | Zahnradpumpe  | gear wheel pump   | -   | -   |
| 4    | 33.2647.0000         | Winkel  | angle   | -   | -   |
| 5    | 00.0047.3355         | Flkpf-Schraube ISO 7045-M 4x<br>4-1.4301-H<br>Anzugsmoment 2,0 Nm                   | pan head screw ISO 7045-M 4x<br>4-1.4301-H<br>torque 2.0 Nm               | -   | -   |
| 6    | 33.4221.1000         | Kabelhalterung mit flachem Rastfuss   | cable clip with flat foot   | -   | -   |
| 7    | 00.0047.3358         | Flkpf-Schraube ISO 7045-M 4x<br>6-1.4301-H<br>Anzugsmoment 1,5 Nm                   | pan head screw ISO 7045-M 4x<br>6-1.4301-H<br>torque 1.5 Nm               | -   | -   |
| 8    | 00.0047.3363         | Flkpf-Schraube ISO 7045-M<br>4x10-1.4301-H<br>Anzugsmoment 1,5 Nm                   | pan head screw ISO 7045-M<br>4x10-1.4301-H<br>torque 1.5 Nm               | -   | -   |
| 9    | 33.2323.0300         | Luftpumpe<br>mit Blende 0,3 mm  | air pump<br>with dazzele 0,3 mm   | -   | -   |
| 9    | 33.2483.1000         | Blende 0,3 mm, mit Schlauch<br>nur Ersatzteil                                       | aperture 0.3 mm, with hose<br>only spare part                             | -   | -   |
| 10   | 00.0047.3316         | Flkpf-Schraube ISO 7045-M 3x<br>6-1.4301-H  | pan head screw ISO 7045-M 3x<br>6-1.4301-H                                | -   | -   |
| 99   | 33.1536.7100         | Ferritkern  | ferrite core  | -   | -   |
| 99   | 33.4112.7000         | Adapterkabel<br>Litzen 5x miteinander verdrehen und<br>durch Ferritkern durchföhren | adapter cable<br>twist wires together 5x and lead<br>through ferrite core | -   | -   |



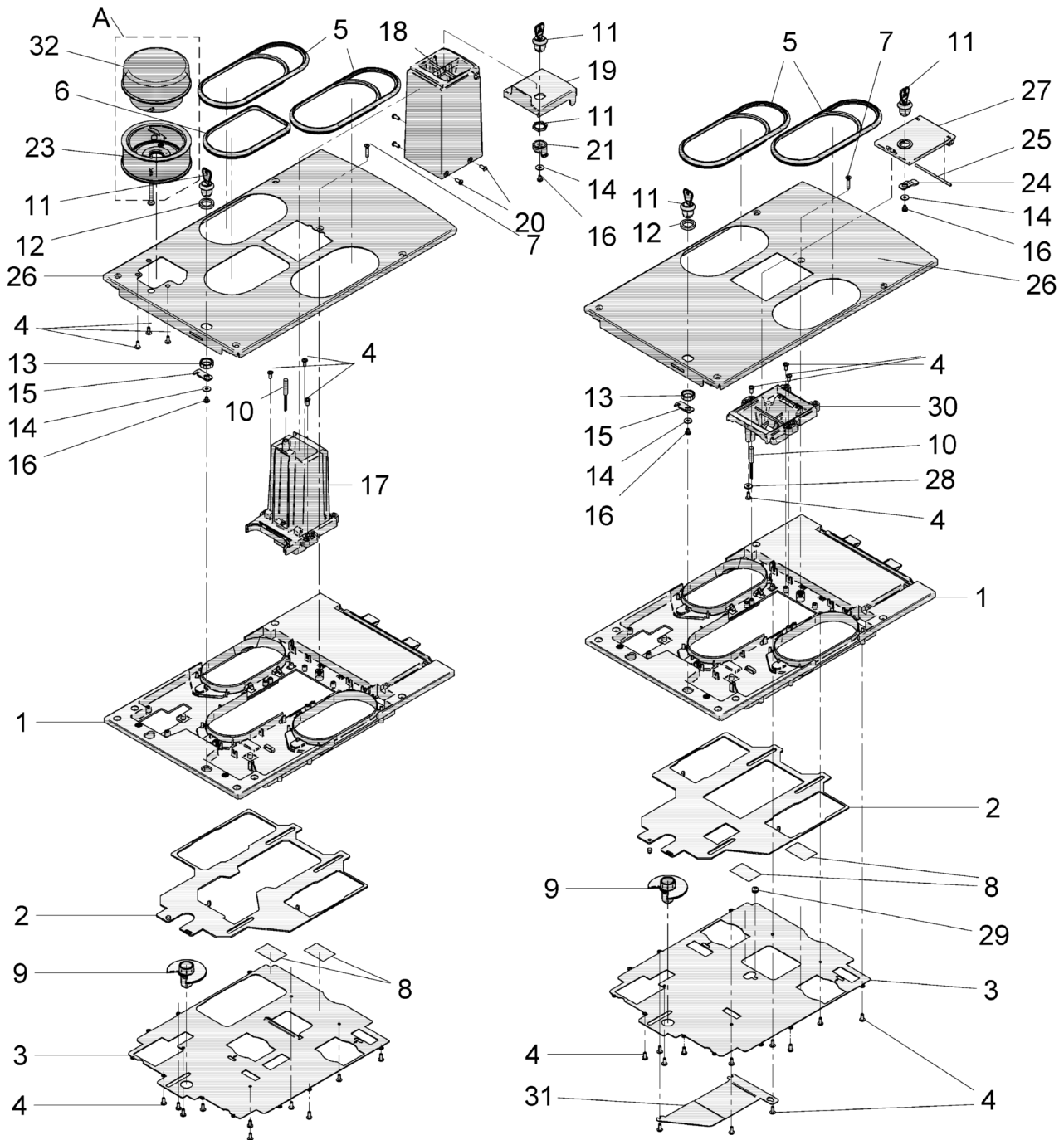
| Pos. | Art.-Nr.<br>Art. no. | Bezeichnung<br>Tech-Info<br>Service-Info                          | Designation<br>Tech-Info<br>Service-Info                    | EA1 | EA2 |
|------|----------------------|---|---|-----|-----|
| 1    | 33.4183.2000         | Klemmbügel  | clamp   | -   | -   |
| 3    | 33.4109.2000         | Klemmventil 2/2, ohne Elektronik                                  | pinch valve 2/2, no electronics                             | -   | -   |
| 4    | 33.4109.6000         | 3-2_Schlauchquetschventil_NC_ohne_Elektre                         | 3-2 Pinch without Electric                                  | -   | -   |
| 5    | 33.4185.9000         | Schlauchverbinder 6_6   | hose connector 6_6  | -   | 5   |
| 6    | 33.4185.9100         | Schlauchverbinder 6_6_schwarz                                     | hose connector 6_6_black                                    | -   | 5   |
| 7    | 33.2928.1100         | Mischer_komplett_mit_Sensor_1_Anschluss                           | mixer_complete_with_sensor_1_connector                      | -   | -   |
| 8    | 33.4070.4000         | Luftpumpe   | air pump  | -   | 1   |
| 9    | 33.4185.1000         | Gerade<br>Einschraubverbindung_M5_4<br>Anzugsmoment 2,5 Nm        | straight screw-connection_M5_4<br>silicone<br>torque 2.5 Nm | -   | -   |
| 10   | 33.4187.4000         | Gerade<br>Einschraubverbindung_M5_6<br>Anzugsmoment 2,5 Nm        | straight screw-connection_M5_6<br>torque 2.5 Nm             | -   | -   |
| 11   | 33.4183.5000         | Zahnradpumpe  | gear wheel pump   | -   | -   |
| 13   | 33.4019.3000         | Steckanschluss I 6-G1_8<br>Anzugsmoment 2,5 Nm                    | plug-in connection I 6-G1_8<br>torque 2.5 Nm                | -   | -   |
| 14   | 33.4197.3000         | Kabelsatz 1920-1950 Milch<br>Ventile-Pumpen                       | Kabelsatz 5000S-FL Milchgr<br>Ventile-Pumpe                 | -   | -   |
| 15   | 33.4197.2000         | Kabelsatz 1920-1950 Milchgruppe<br>Sensoren                       | Kabelsatz 5000S-FL Milchgruppe<br>Sensoren                  | -   | -   |
| 16   | 00.0047.3365         | Flkpf-Schraube ISO 7045-M<br>4x16-1.4301-H<br>Anzugsmoment 1,5 Nm | pan head screw ISO 7045-M<br>4x16-1.4301-H<br>torque 1.5 Nm | -   | -   |
| 17   | 00.0047.3361         | Flkpf-Schraube ISO 7045-M 4x<br>8-1.4301-H<br>Anzugsmoment 1,5 Nm | pan head screw ISO 7045-M 4x<br>8-1.4301-H<br>torque 1.5 Nm | -   | -   |
| 18   | 00.0047.3363         | Flkpf-Schraube ISO 7045-M<br>4x10-1.4301-H<br>Anzugsmoment 1,5 Nm | pan head screw ISO 7045-M<br>4x10-1.4301-H<br>torque 1.5 Nm | -   | -   |
| 19   | 00.0047.3316         | Flkpf-Schraube ISO 7045-M 3x<br>6-1.4301-H<br>Anzugsmoment 0,5 Nm | pan head screw ISO 7045-M 3x<br>6-1.4301-H<br>torque 0.5 Nm | -   | -   |
| 20   | 00.0047.3358         | Flkpf-Schraube ISO 7045-M 4x<br>6-1.4301-H<br>Anzugsmoment 1,5 Nm | pan head screw ISO 7045-M 4x<br>6-1.4301-H<br>torque 1.5 Nm | -   | -   |



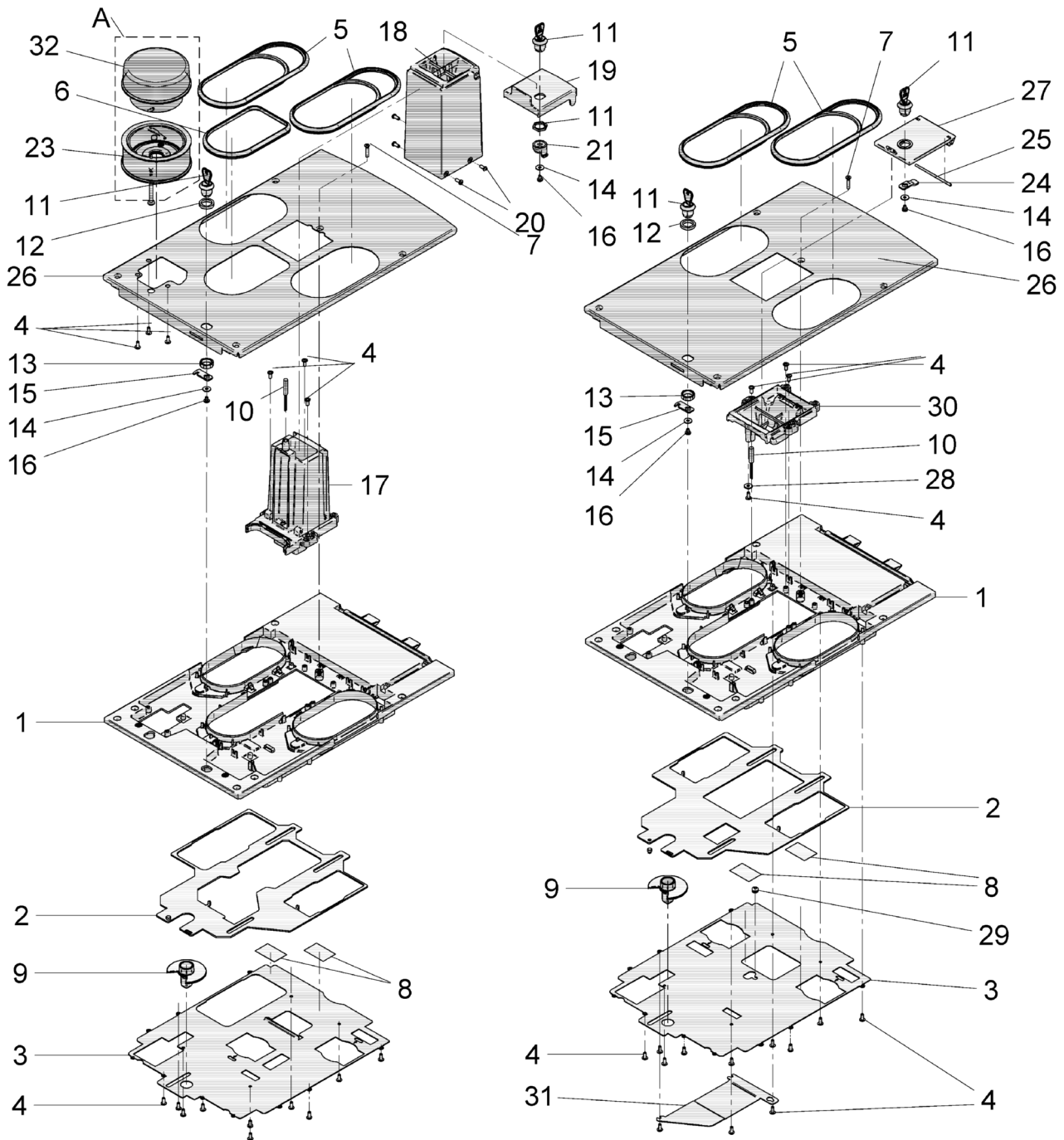
| Pos. | Art.-Nr.<br>Art. no. | Bezeichnung<br>Tech-Info<br>Service-Info                          | Designation<br>Tech-Info<br>Service-Info                    | EA1 | EA2 |
|------|----------------------|---|---|-----|-----|
| 21   | 33.1691.1000         | Kabelbinder   | cable clip  | -   | -   |
| 22   | 33.2275.0000         | Überwurfmutter, weiß, 8 mm  | union nut, white, 8 mm                                      | -   | -   |
| 23   | 33.2275.1000         | Überwurfmutter, schwarz, 8 mm                                     | union nut, black, 8 mm                                      | -   | -   |
| 24   | 33.4165.1000         | Schlauchnippel  | hose nipple   | -   | -   |
| 25   | 33.2274.0000         | O-Ring 6,07x1,78 EPDM   | O-ring, 6.07x1.78 EPDM                                      | -   | -   |
| 26   | 33.4159.6000         | Ultrasonic-flow-sensor  | Ultrasonic-flow-sensor                                      | -   | -   |
| 27   | 00.0048.0090         | Kantenschutz PE natur für Bl.st.1,<br>3-2,2<br>60 mm lang         | edge protection PE natur 1,3-2,2<br>60 mm                   | -   | -   |
| 28   | 33.4221.1000         | Kabelhalterung mit flachem Rastfuss                               | cable clip with flat foot                                   | -   | -   |
| 29   | 00.0047.3355         | Flkpf-Schraube ISO 7045-M 4x<br>4-1.4301-H<br>Anzugsmoment 2,0 Nm | pan head screw ISO 7045-M 4x<br>4-1.4301-H<br>torque 2.0 Nm | -   | -   |
| 33   | 33.2280.3000         | Abstandshalter  | spacer  | -   | -   |
| 34   | 33.4035.8000         | Motor-Controller  | motor controller  | -   | -   |
| C    | 33.4708.0000         | Schlauchset<br>Dynamic Milk                                       | hose set  | -   | -   |



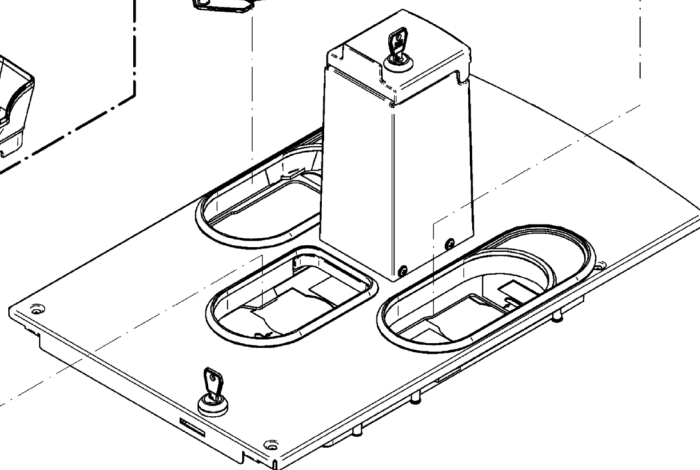
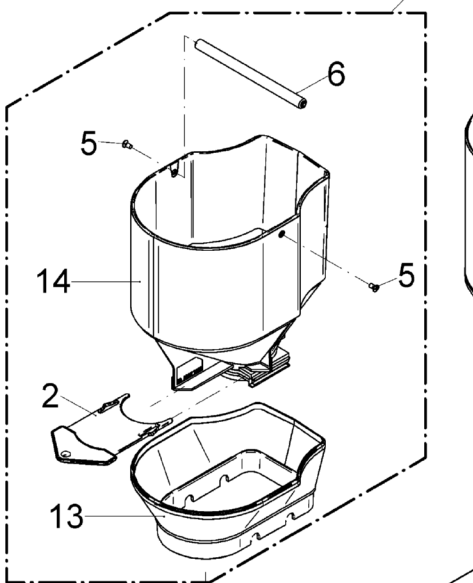
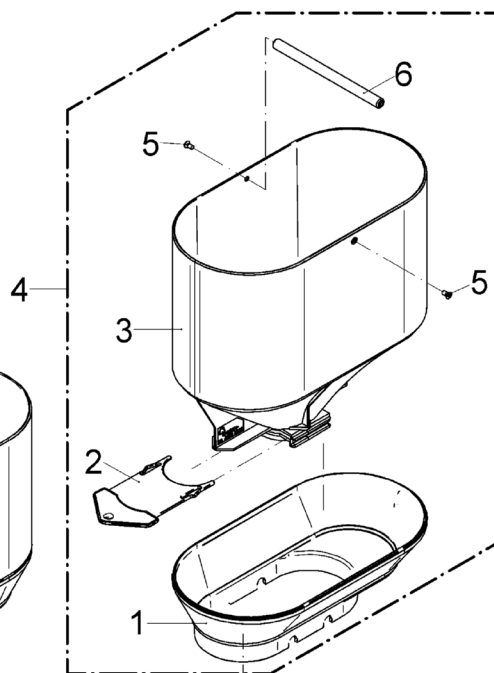
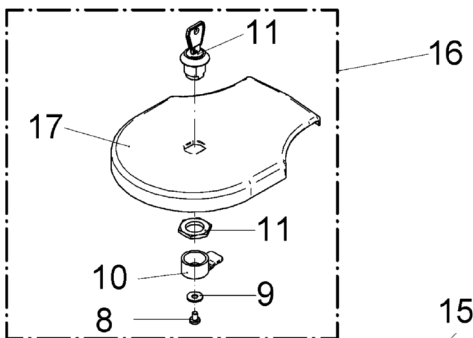
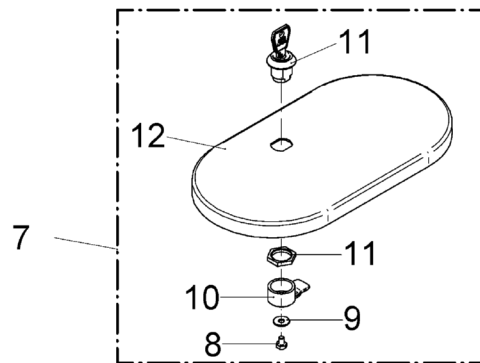
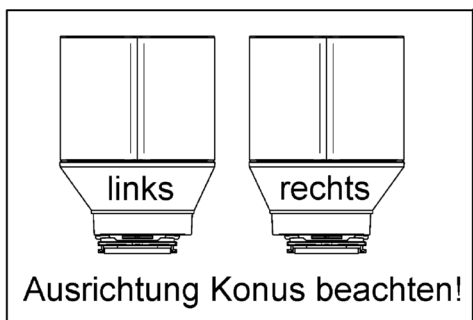
| Pos. | Art.-Nr.<br>Art. no. | Bezeichnung<br>Tech-Info<br>Service-Info | Designation<br>Tech-Info<br>Service-Info  | EA1 | EA2 |
|------|----------------------|--|---|-----|-----|
| 0    | 33.2948.2099         | Maschinendeckel Handeinwurf 1M o. 2M     | top cover, 1G or 2G                       | -   | -   |
| 0    | 33.2948.3099         | Maschinendeckel Tabletteneinwurf 2M+P    | top cover, 2G+P                           | -   | -   |
| 0    | 33.2948.4099         | Maschinendeckel Handeinwurf 1M+P+DTC     | top cover, 1G+P+DTC                       | -   | -   |
| 0    | 33.2948.5099         | Maschinendeckel Handeinwurf 1M+P         | top cover, 1G+P                           | -   | -   |
| 0    | 33.2948.6099         | Maschinendeckel Handeinwurf 1M+DP+DTC    | top cover, 1G+DP+DTC                      | -   | -   |
| 0    | 33.2948.7099         | Maschinendeckel Handeinwurf 1M+DP        | top cover, 1G+DP                          | -   | -   |
| 0    | 33.2948.8099         | Maschinendeckel Tabletteneinw. 2M+DP+DTC | top cover, 2G+DP+DTC                      | -   | -   |
| 0    | 33.2948.9099         | Maschinendeckel Tabletteneinwurf 2M+DP   | top cover, 2G+DP                          | -   | -   |
| 0    | 33.2946.5099         | Maschinendeckel Tabletteneinw. 2M+P+DTC  | top cover, 2G+P+DTC                       | -   | -   |
| 0    | 33.2948.1099         | Maschinendeckel Handeinwurf 1M o. 2M+DTC | top cover, 1G or 2G+DTC                   | -   | -   |
| 4    | 00.0047.3653         | EJOT PT-Schraube KA 40x10 WN 1411-A2     | EJOT PT-screw KA 40x10 WN 1411-A2         | -   | -   |
| 5    | 33.4021.0000         | Leuchtring<br>Auflage groß               | illuminated ring<br>big rest              | -   | -   |
| 6    | 33.2640.5000         | Auflage<br>Leuchtring Mitte              | rest<br>illuminated ring, center          | -   | -   |
| 7    | 00.0047.3120         | Senkschraube ISO 7046-2-M 4x16-1.4301-H  | counter sunk screw ISO 7046-2-M 4x16-1.4  | -   | -   |
| 9    | 33.4185.0000         | Verriegelungsrad                         | locking gear                              | -   | 2   |
| 10   | 33.2650.4400         | Kabelsatz, Handeinwurf 380mm+ DTC + PE   | cable set, manual insert 380mm+ DTC + PE  | -   | -   |
| 10   | 33.2650.4300         | Kabelsatz, Handeinwurf 300mm + DTC + PE  | cable set, manual insert 300mm + DTC + PE | -   | -   |
| 10   | 33.2650.4100         | Kabelsatz, Handeinwurf 300 mm            | cable set, manual insert 300 mm           | -   | -   |



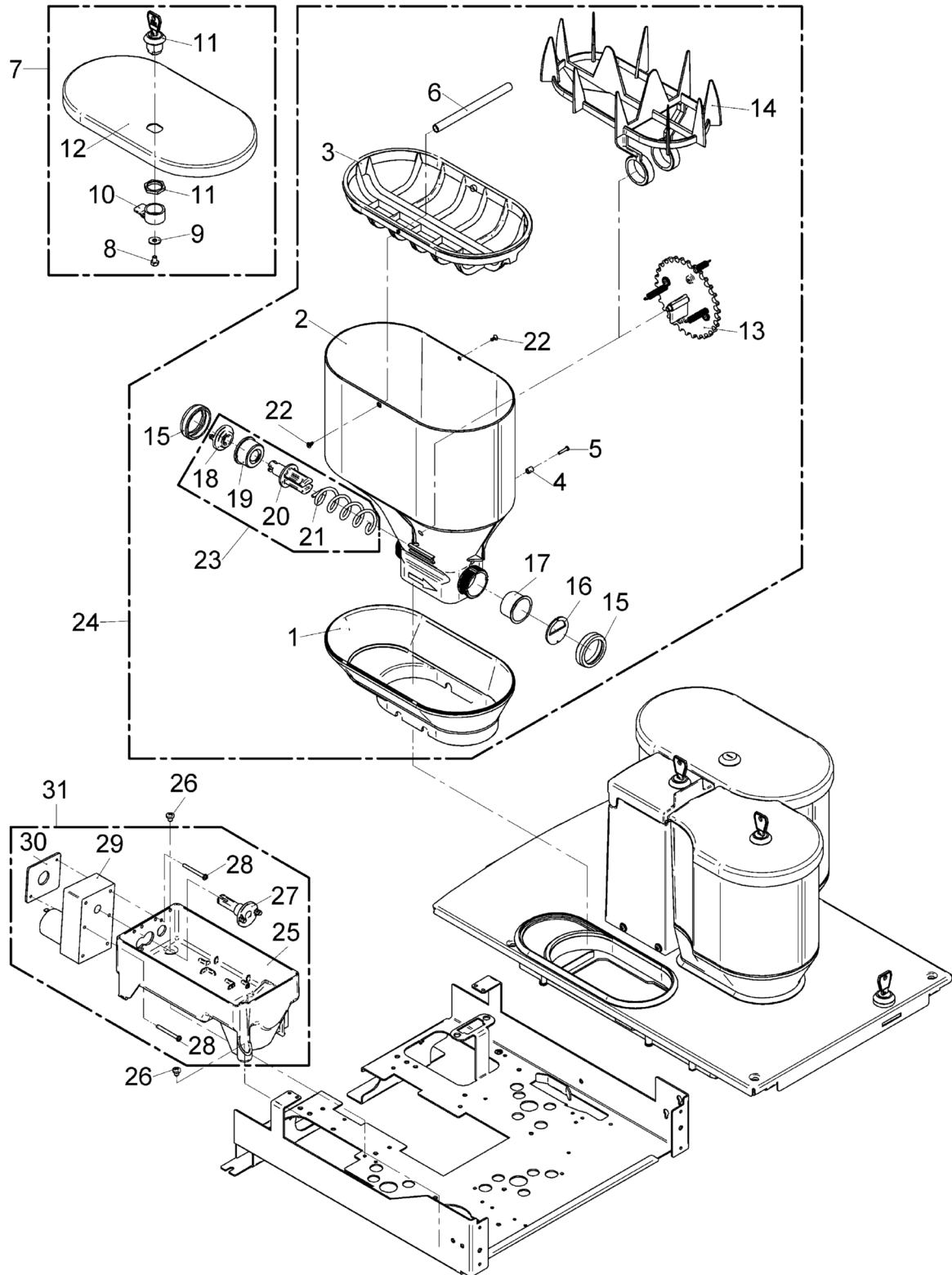
| Pos. | Art.-Nr.<br>Art. no. | Bezeichnung<br>Tech-Info<br>Service-Info                        | Designation<br>Tech-Info<br>Service-Info                | EA1 | EA2 |
|------|----------------------|---|---|-----|-----|
| 10   | 33.2650.4500         | Kabelsatz, Handeinwurf<br>380 mm                                | cable set, manual insert                                | -   | -   |
| 11   | 33.2071.8000         | Zylinderschloss   | cylinder lock   | -   | -   |
| 12   | 33.4033.0000         | Distanzhülse  | distance sleeve   | -   | -   |
| 13   | 33.4036.4000         | Mutter<br>M16x1, nur bei Ausführung USA                         | nut<br>M16x1, USA only                                  | -   | -   |
| 13   | 33.4033.3000         | Mutter<br>M16x1   | nut<br>M16x1  | -   | -   |
| 14   | 00.0047.2197         | Scheibe ISO<br>7093-1-4-200HV-1.4301                            | washer ISO 7093-1-4-200HV-1.4301                        | -   | -   |
| 15   | 33.4032.6000         | Schließhebel  | locking lever   | -   | -   |
| 16   | 00.0047.3358         | Flkopf-Schraube ISO 7045-M 4x<br>6-1.4301-H                     | pan head screw ISO 7045-M 4x<br>6-1.4301-H              | -   | -   |
| 17   | 33.4181.5000         | Turm-Handeinwurf-innen  | manual-insert-tower-inner-part                          | -   | -   |
| 18   | 33.4181.7000         | Turm-Handeinwurf-aussen   | manual-insert-tower-outer-part                          | -   | -   |
| 19   | 33.4181.6000         | Deckel-Turm-Handeinwurf   | manual-insert-lid                                       | -   | -   |
| 20   | 00.0047.3670         | EJOT PT-Shr. KA 40x10-WN<br>1412-1.5523-DS                      | EJOT PT-screw KA 40x10-WN<br>1412-1.5523-DS             | -   | -   |
| 21   | 33.4186.0000         | Schliesshebel   | locking lever   | -   | -   |
| 23   | 33.4206.3000         | DTC Unterteil komplett-PMONT                                    | Drip lower part complete                                | -   | -   |
| 24   | 33.2299.8000         | Schließhebel  | locking lever   | -   | -   |
| 25   | 33.2271.1000         | Welle<br>nur bei 1 oder 2 Produkte                              | shaft<br>at 1 or 2 products only                        | -   | -   |
| 27   | 33.2296.7100         | Deckel, Handeinwurf, abschließbar<br>nur bei 1 oder 2 Produkten | lid, manual insert, lockable<br>at 1 or 2 products only | -   | -   |
| 28   | 00.0047.2189         | Scheibe 4,3 DIN 7349-1.4301                                     | washer 4,3 DIN 7349-1.4301                              | -   | -   |
| 29   | 33.1499.9000         | Durchführungsstülle   | rubber funnel   | -   | -   |



| <b>Pos.</b> | <b>Art.-Nr.<br/>Art. no.</b> | <b>Bezeichnung<br/>Tech-Info<br/>Service-Info</b>      | <b>Designation<br/>Tech-Info<br/>Service-Info</b> | <b>EA1</b> | <b>EA2</b> |
|-------------|------------------------------|--|---|------------|------------|
| 30          | 33.2640.6000                 | Trichter<br>Handeinwurf, nur bei 1 oder 2<br>Produkten | funnel<br>at 1 or 2 products only                 | -          | -          |
| 32          | 33.4703.2000                 | DTC Oberteil komplett-PMONT                            | DTC upper part complete                           | -          | -          |



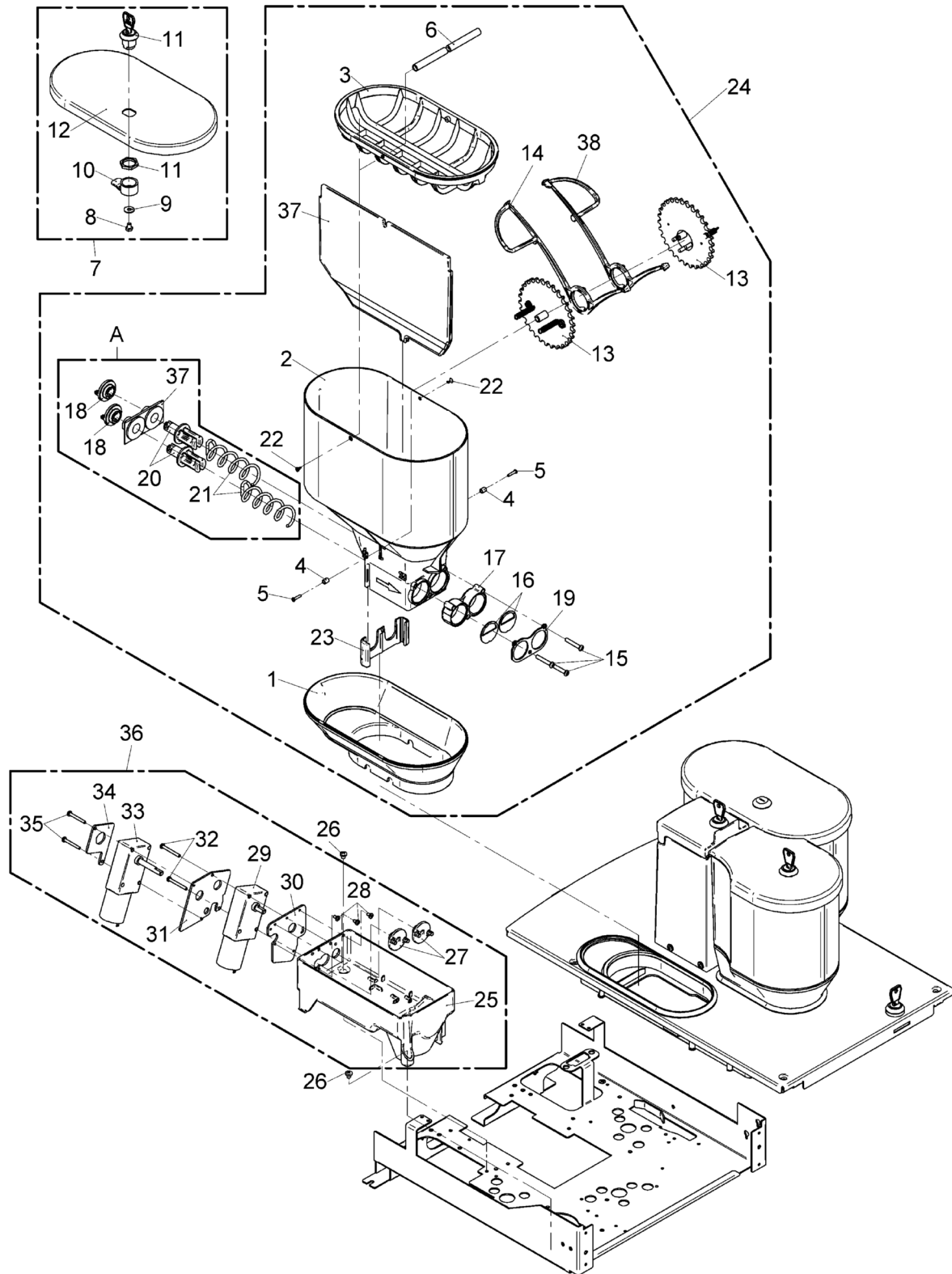
| Pos. | Art.-Nr.<br>Art. no. | Bezeichnung<br>Tech-Info<br>Service-Info  | Designation<br>Tech-Info<br>Service-Info                                    | EA1 | EA2 |
|------|----------------------|---|---|-----|-----|
| 2    | 33.2351.2000         | Verriegelung  | lock  | -   | 2   |
| 4    | 33.2911.8099         | Bohnenbehälter, rechts<br>nur Ersatzteil  | bean hopper, right<br>spare part only                                       | -   | 1   |
| 4    | 33.2913.2099         | Bohnenbehälter, links<br>nur Ersatzteil   | bean hopper, left<br>spare part only  | -   | 1   |
| 5    | 00.0047.3105         | Senkschraube ISO 7046-2-M 3x<br>6-1.4301-H                                      | counter sunk screw ISO 7046-2-M 3x<br>6-1.4                                 | -   | -   |
| 6    | 33.2695.6000         | Bolzen, Verriegelung  | bolt, lock  | -   | -   |
| 7    | 33.2855.7099         | Behälterdeckel  | hopper lid  | -   | -   |
| 8    | 00.0047.1400         | Sechskant-Shr. ISO 4017-M 4x<br>6-1.4301<br>eingeklebt mit Mat.Nr. 00 0048 4906 | hexagon-screw ISO 4017-M 4x<br>6-1.4301<br>glued in w/ Mat.Nr. 00 0048 4906 | -   | -   |
| 9    | 00.0047.2197         | Scheibe ISO<br>7093-1-4-200HV-1.4301  | washer ISO 7093-1-4-200HV-1.4301  | -   | -   |
| 10   | 33.2560.8000         | Schließhebel  | locking lever   | -   | -   |
| 11   | 33.2071.8000         | Zylinderschloss   | cylinder lock   | -   | -   |
| 12   | 33.4022.7000         | Deckel  | lid   | -   | -   |
| 15   | 33.2946.8099         | Bohnenbehaelter_Mitte_hoch_komp<br>l_abschl<br>nur Ersatzteil                   | Bean container middle high complete   | -   | -   |
| 16   | 33.4704.1099         | Deckel_Mitte_komplett_abschliessb<br>ar   | bean hopper lid middle complete   | -   | -   |
| 17   | 33.4185.4000         | Deckel-Behaelter-Mitte-Edelstahl-a<br>usgesp                                    | Lid_middle_stainless-steel_recessed   | -   | -   |



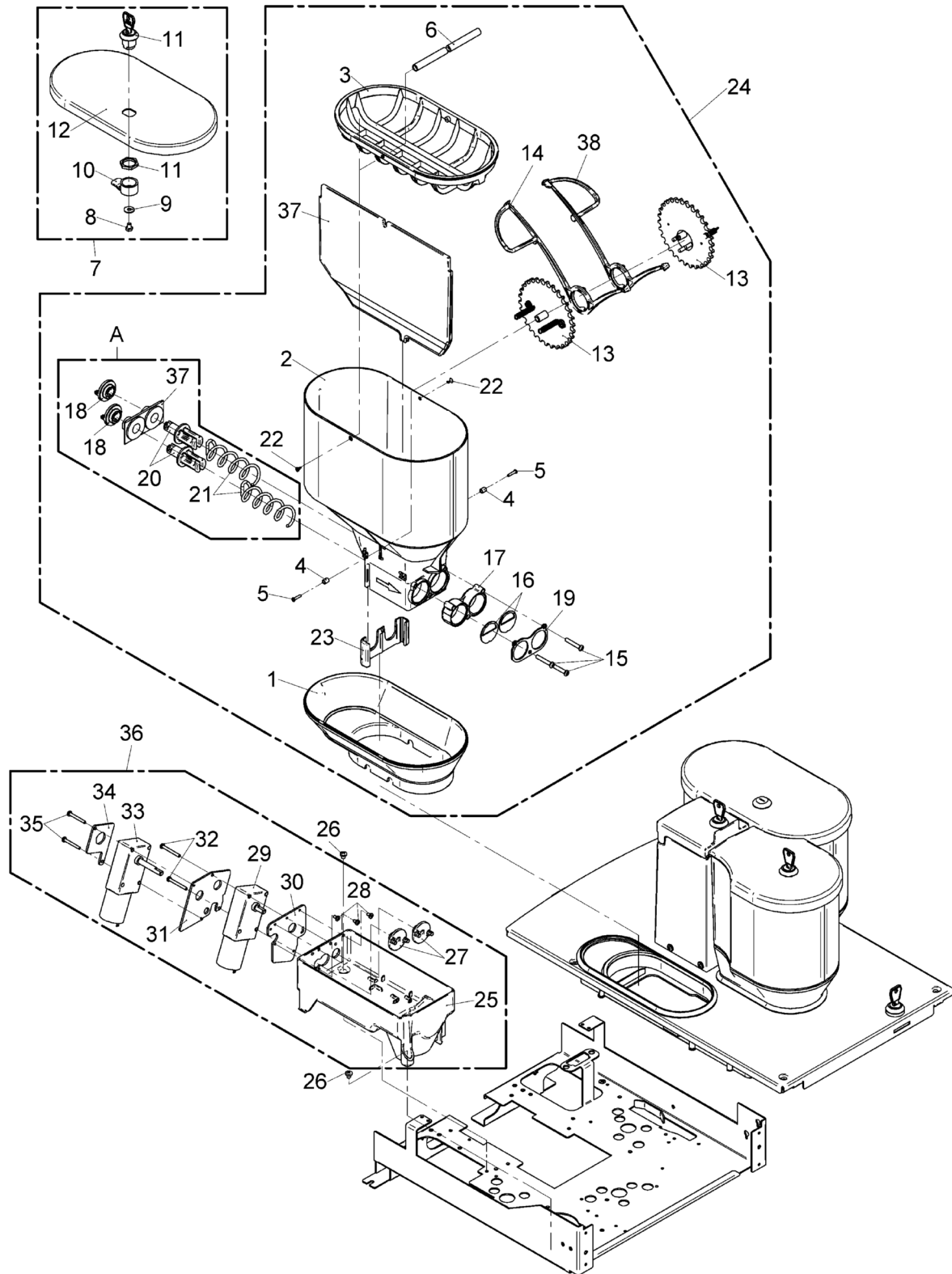
| Pos. | Art.-Nr.<br>Art. no. | Bezeichnung<br>Tech-Info<br>Service-Info                 | Designation<br>Tech-Info<br>Service-Info                     | EA1 | EA2 |
|------|----------------------|--|--|-----|-----|
| 3    | 33.4021.6000         | Eingreifschutz<br>groß                                   | intervening protection<br>large                              | -   | -   |
| 5    | 00.0047.3626         | EJOT PT-Schraube KA 25x12-WN<br>1412-1.4567              | EJOT PT-screw KA 25x12-WN<br>1412-1.4567                     | -   | -   |
| 6    | 33.2695.7000         | Bolzen, Verriegelung                                     | bolt, lock   | -   | -   |
| 7    | 33.2855.7099         | Behälterdeckel<br>abschließbar, kpl.                     | hopper lid<br>lockable, compl.                               | -   | -   |
| 8    | 00.0047.1400         | Sechskant-Shr. ISO 4017-M 4x<br>6-1.4301                 | hexagon-screw ISO 4017-M 4x<br>6-1.4301                      | -   | -   |
| 9    | 00.0047.2197         | Scheibe ISO<br>7093-1-4-200HV-1.4301                     | washer ISO 7093-1-4-200HV-1.4301                             | -   | -   |
| 10   | 33.2560.8000         | Schließhebel   | locking lever  | -   | -   |
| 11   | 33.2071.8000         | Zylinderschloss  | cylinder lock  | -   | -   |
| 12   | 33.4022.7000         | Deckel<br>abschließbar, Produktbehälter groß             | lid<br>lockable, product hopper large                        | -   | -   |
| 15   | 33.1325.0000         | Mutter   | nut  | -   | -   |
| 16   | 33.2293.7000         | Blech<br>Choc  | plate<br>Choc  | -   | -   |
| 17   | 33.2316.4100         | Hülse  | sleeve   | -   | -   |
| 18   | 33.2321.6000         | Mitnehmer<br>Abtrieb                                     | pusher<br>output   | -   | -   |
| 19   | 33.2291.8000         | Buchse   | bushing  | -   | -   |
| 22   | 00.0047.3657         | EJOT PT-Schraube KA 30x 6-WN<br>1413-A2                  | EJOT PT-screw KA 30x 6-WN<br>1413-A2                         | -   | -   |
| 23   | 33.2824.4000         | Schnecke, kpl.   | worm, compl.   | -   | -   |
| 24   | 33.2911.7099         | Pulverbehälter, groß, Single, kpl.<br>groß, Single, kpl. | powder hopper, large, Single, compl.<br>large, single, compl | -   | 1   |
| 26   | 00.0047.3356         | Flkpf-Schraube ISO 7045-M 4x<br>5-1.4301-H               | pan head screw ISO 7045-M 4x<br>5-1.4301-H                   | -   | -   |
| 27   | 33.2642.7000         | Mitnehmer<br>Antrieb lang                                | pusher<br>drive, long  | -   | -   |



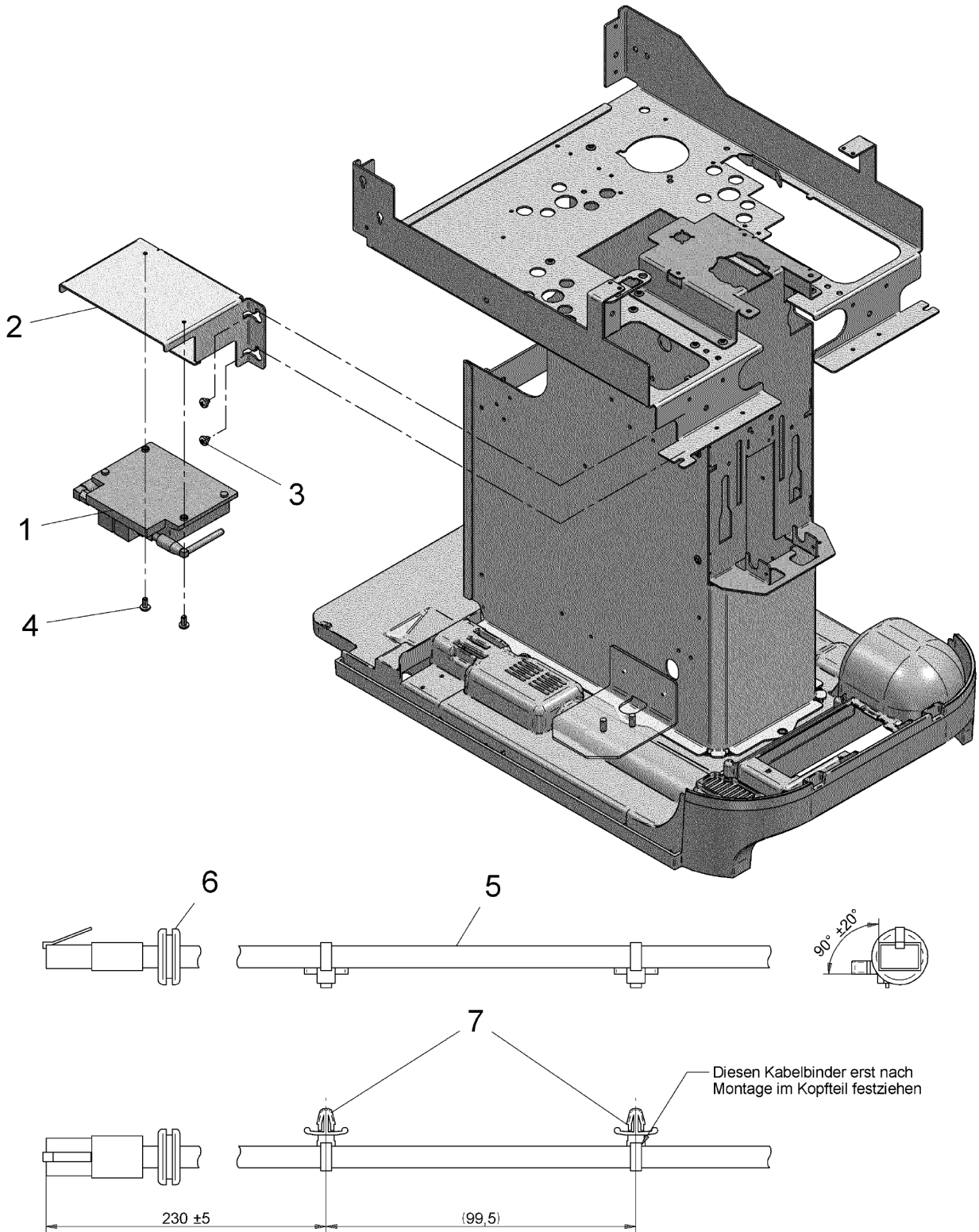
| <b>Pos.</b> | <b>Art.-Nr.<br/>Art. no.</b> | <b>Bezeichnung<br/>Tech-Info<br/>Service-Info</b> | <b>Designation<br/>Tech-Info<br/>Service-Info</b> | <b>EA1</b> | <b>EA2</b> |
|-------------|------------------------------|---|---|------------|------------|
| 28          | 00.0047.3330                 | Flkpf-Schraube ISO 7045-M<br>3x30-1.4301-H        | pan head screw ISO 7045-M<br>3x30-1.4301-H        | -          | -          |
| 29          | 33.2367.6000                 | Motor 24V   | motor 24V   | -          | 1          |
| 30          | 33.2621.7000                 | Platte, Choc<br>single                            | plate, Choc<br>single                             | -          | -          |



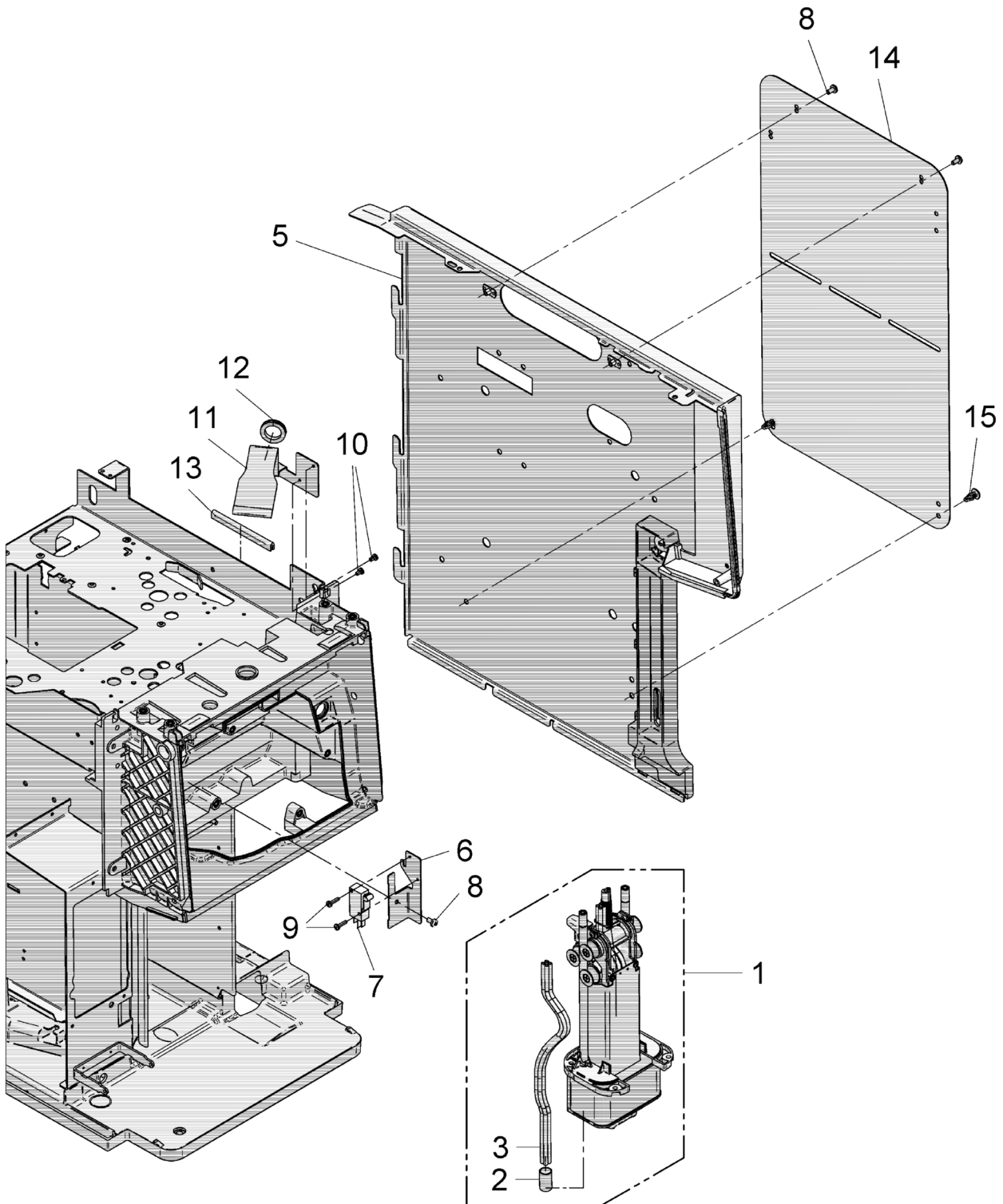
| Pos. | Art.-Nr.<br>Art. no. | Bezeichnung<br>Tech-Info<br>Service-Info      | Designation<br>Tech-Info<br>Service-Info                  | EA1 | EA2 |
|------|----------------------|---|---|-----|-----|
| 3    | 33.4021.6000         | Eingreifschutz<br>groß                        | intervening protection<br>large                           | -   | -   |
| 6    | 33.2695.7100         | Bolzen<br>Pulver Twin                         | bolt<br>powder, twin                                      | -   | -   |
| 7    | 33.2855.7099         | Behälterdeckel<br>abschließbar, kpl.          | hopper lid<br>lockable, compl.                            | -   | -   |
| 8    | 00.0047.1400         | Sechskant-Schr. ISO 4017-M 4x<br>6-1.4301     | hexagon-screw ISO 4017-M 4x<br>6-1.4301                   | -   | -   |
| 9    | 00.0047.2197         | Scheibe ISO<br>7093-1-4-200HV-1.4301          | washer ISO 7093-1-4-200HV-1.4301                          | -   | -   |
| 10   | 33.2560.8000         | Schließhebel                                  | locking lever   | -   | -   |
| 11   | 33.2071.8000         | Zylinderschloss<br>abschließbar               | cylinder lock<br>lockable                                 | -   | -   |
| 12   | 33.4022.7000         | Deckel<br>abschließbar, Produktbehälter groß  | lid<br>lockable, product hopper large                     | -   | -   |
| 18   | 33.2321.6000         | Mitnehmer<br>Abtrieb                          | pusher<br>output  | -   | -   |
| 19   | 33.2311.6000         | Blech   | plate   | -   | -   |
| 22   | 00.0047.3657         | EJOT PT-Schraube KA 30x 6-WN<br>1413-A2       | EJOT PT-screw KA 30x 6-WN<br>1413-A2                      | -   | -   |
| 23   | 33.2311.2000         | Klammer                                       | clamp   | -   | -   |
| 24   | 33.2911.9099         | Pulverbehälter, Twin, groß<br>Twin groß, kpl. | powder hopper, twin, large<br>Twin Topping, large, compl. | -   | -   |
| 26   | 00.0047.3356         | Flkpf-Schraube ISO 7045-M 4x<br>5-1.4301-H    | pan head screw ISO 7045-M 4x<br>5-1.4301-H                | -   | -   |
| 27   | 33.2310.7000         | Mitnehmer<br>Antrieb Twin                     | pusher<br>drive, Twin                                     | -   | -   |
| 28   | 00.0047.3313         | Flkpf-Schraube ISO 7045-M 3x<br>5-1.4301-H    | pan head screw ISO 7045-M 3x<br>5-1.4301-H                | -   | -   |
| 29   | 33.4188.7000         | Motor_24V_kurze_Welle_156U_min<br>kurze Welle | motor_24V_short_shaft_156Rpm<br>short shaft               | -   | -   |
| 30   | 33.2621.8000         | Platte<br>Twin                                | plate<br>Twin   | -   | -   |
| 31   | 33.2310.5000         | Winkel<br>Motor                               | angle<br>motor  | -   | -   |



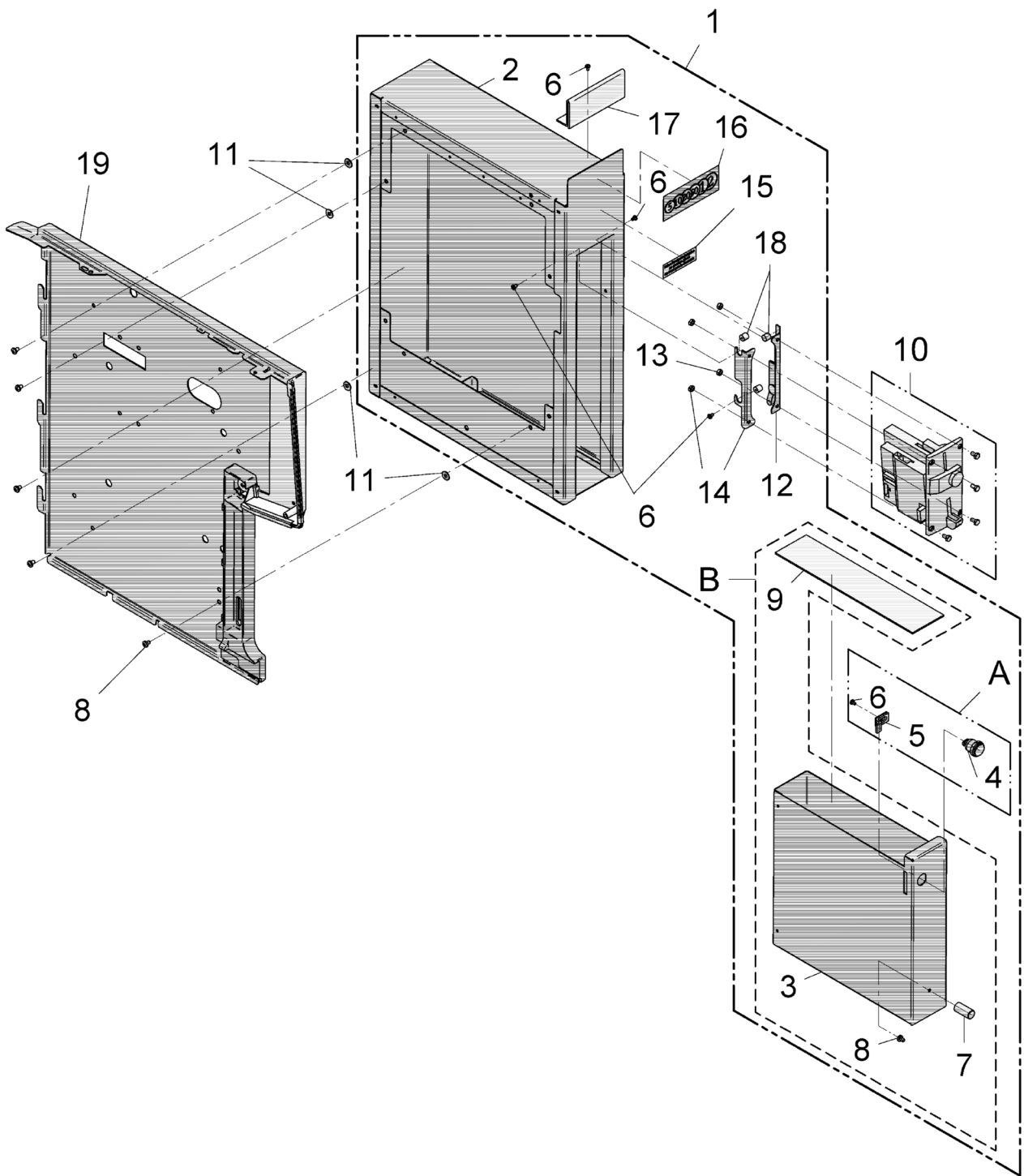
| Pos. | Art.-Nr.<br>Art. no. | Bezeichnung<br>Tech-Info<br>Service-Info       | Designation<br>Tech-Info<br>Service-Info   | EA1 | EA2 |
|------|----------------------|--|--|-----|-----|
| 32   | 00.0047.3329         | Flkpf-Schraube ISO 7045-M<br>3x28-1.4301-H     | pan head screw ISO 7045-M<br>3x28-1.4301-H | -   | -   |
| 33   | 33.4188.6000         | Motor_24V_lange_Welle _156U_min<br>lange Welle | motor_24V_long_shaft_156Rpm<br>long shaft  | -   | -   |
| 34   | 33.2333.8000         | Blech  | plate                                      | -   | -   |
| 35   | 00.0047.3328         | Flkpf-Schraube ISO 7045-M<br>3x25-1.4301-H     | pan head screw ISO 7045-M<br>3x25-1.4301-H | -   | -   |
| A    | 33.2851.4000         | Schnecke<br>Twin, kpl., nur Ersatzteil         | worm<br>Twin, compl.                       | -   | -   |



| Pos. | Art.-Nr.<br>Art. no. | Bezeichnung<br>Tech-Info<br>Service-Info                          | Designation<br>Tech-Info<br>Service-Info                   | EA1 | EA2 |
|------|----------------------|---|--|-----|-----|
| 0    | 33.4238.9000         | Aufkleber<br>Positionierung siehe Blatt Aufkleber                 | sticker  | -   | -   |
| 1    | 33.4220.9600         | Telemetriemodul, RU<br>CM Gateway Russland                        | telemetry module, RU<br>CM Gateway Russia                  | -   | -   |
| 1    | 33.4220.9000         | Telemetriemodul, EU<br>CM Gateway EU                              | telemetry module, EU<br>CM Gateway EU                      | -   | -   |
| 1    | 33.4220.9200         | Telemetriemodul, US<br>CM Gateway USA                             | telemetry module, US<br>CM Gateway USA                     | -   | -   |
| 1    | 33.4239.7000         | Externe Klebeantenne CM-Gateway<br>nur Ersatzteil                 | external adhesive antenna<br>CM-Gateway<br>spare part only | -   | -   |
| 1    | 33.4220.9400         | Telemetriemodul, AU<br>CM Gateway Australien                      | telemetry module, AU<br>CM Gateway Australia               | -   | -   |
| 1    | 33.4220.9100         | Telemetriemodul, JP<br>CM Gateway Japan                           | telemetry module, JP<br>CM Gateway Japan                   | -   | -   |
| 3    | 00.0047.3355         | Flkpf-Schraube ISO 7045-M 4x<br>4-1.4301-H<br>Anzugsmoment 2,5 Nm | pan head screw ISO 7045-M 4x<br>4-1.4301-H<br>torque 2.5Nm | -   | -   |
| 4    | 00.0047.3361         | Flkpf-Schraube ISO 7045-M 4x<br>8-1.4301-H                        | pan head screw ISO 7045-M 4x<br>8-1.4301-H                 | -   | -   |
| 5    | 33.2494.8200         | Kabel Netzwerkanschluss 800mm                                     | cable network 800mm  | -   | -   |
| 6    | 33.4240.6000         | Durchführungsstülle   | rubber funnel  | -   | -   |
| 7    | 33.1691.1000         | Kabelbinder   | cable clip   | -   | -   |
| 8    | 33.4239.3000         | Kabelsatz, Telemetriemodul<br>in Zeichnung nicht dargestellt      | cable kit, telemetry module<br>not shown                   | -   | -   |



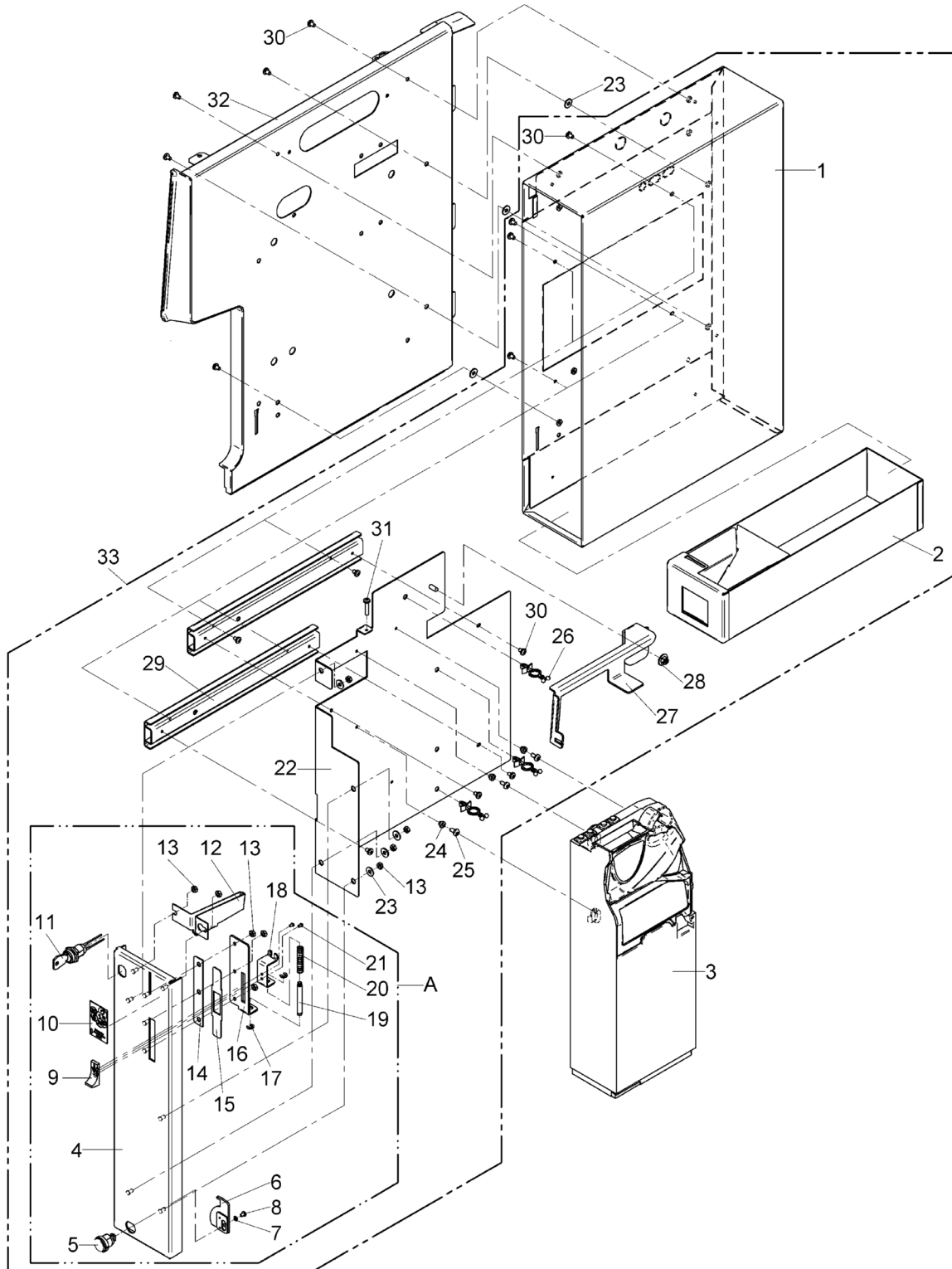
| Pos. | Art.-Nr.<br>Art. no. | Bezeichnung<br>Tech-Info<br>Service-Info   | Designation<br>Tech-Info<br>Service-Info  | EA1 | EA2 |
|------|----------------------|--|---|-----|-----|
| 1    | 33.2949.0300         | Auslauf DYM Motor Sirup, doppel,<br>HW re.   | Spout DYM Motor, Sirup, double,<br>HW right                                       | -   | -   |
| 1    | 33.2949.0600         | Auslauf, DYM, Motor, einzel, Sirup   | spout, DYM, motor, single, syrup  | -   | -   |
| 2    | 33.9577.7000         | Auslauf_Sirup  | spout_Sirup   | -   | -   |
| 3    | 00.0048.0074         | Schlauch 2,5x0,75 PFA natur<br>900 mm lang   | tube 2,5x0,75 PFA natur<br>900 mm long  | -   | -   |
| 5    | 33.4710.3099         | Seitenwand, rechts, kpl.,<br>Anbaugeräte   | side cover, right, cpl.,add-on<br>equipment                                       | -   | -   |
| 7    | 33.1669.5000         | Mikroschalter  | micro switch  | -   | -   |
| 8    | 00.0047.3361         | Flkpf-Schraube ISO 7045-M 4x<br>8-1.4301-H   | pan head screw ISO 7045-M 4x<br>8-1.4301-H  | -   | -   |
| 9    | 00.0047.3321         | Flkpf-Schraube ISO 7045-M<br>3x12-1.4301-H<br>mit Loctite Mat. Nr. 00 0048 4906<br>sichern | pan head screw ISO 7045-M<br>3x12-1.4301-H<br>use Loctite Mat. No. 00 0048 4906   | -   | -   |
| 10   | 00.0047.3316         | Flkpf-Schraube ISO 7045-M 3x<br>6-1.4301-H   | pan head screw ISO 7045-M 3x<br>6-1.4301-H  | -   | -   |
| 12   | 00.0048.0090         | Kantenschutz PE natur für Bl.st.1,<br>3-2,2<br>55 mm lang                                  | edge protection PE natur 1,3-2,2<br>55 mm long                                    | -   | -   |
| 13   | 00.0048.0093         | Kantenschutz PVC schwarz Klemb.<br>1,0 mm<br>80 mm lang, bündig zum Winkel<br>platzieren   | edge protection PVC black clamp. 1,<br>0 mm<br>80 mm long, place flush with angle | -   | -   |
| 15   | 33.4248.3000         | Spreizniet   | expanding rivet   | -   | -   |



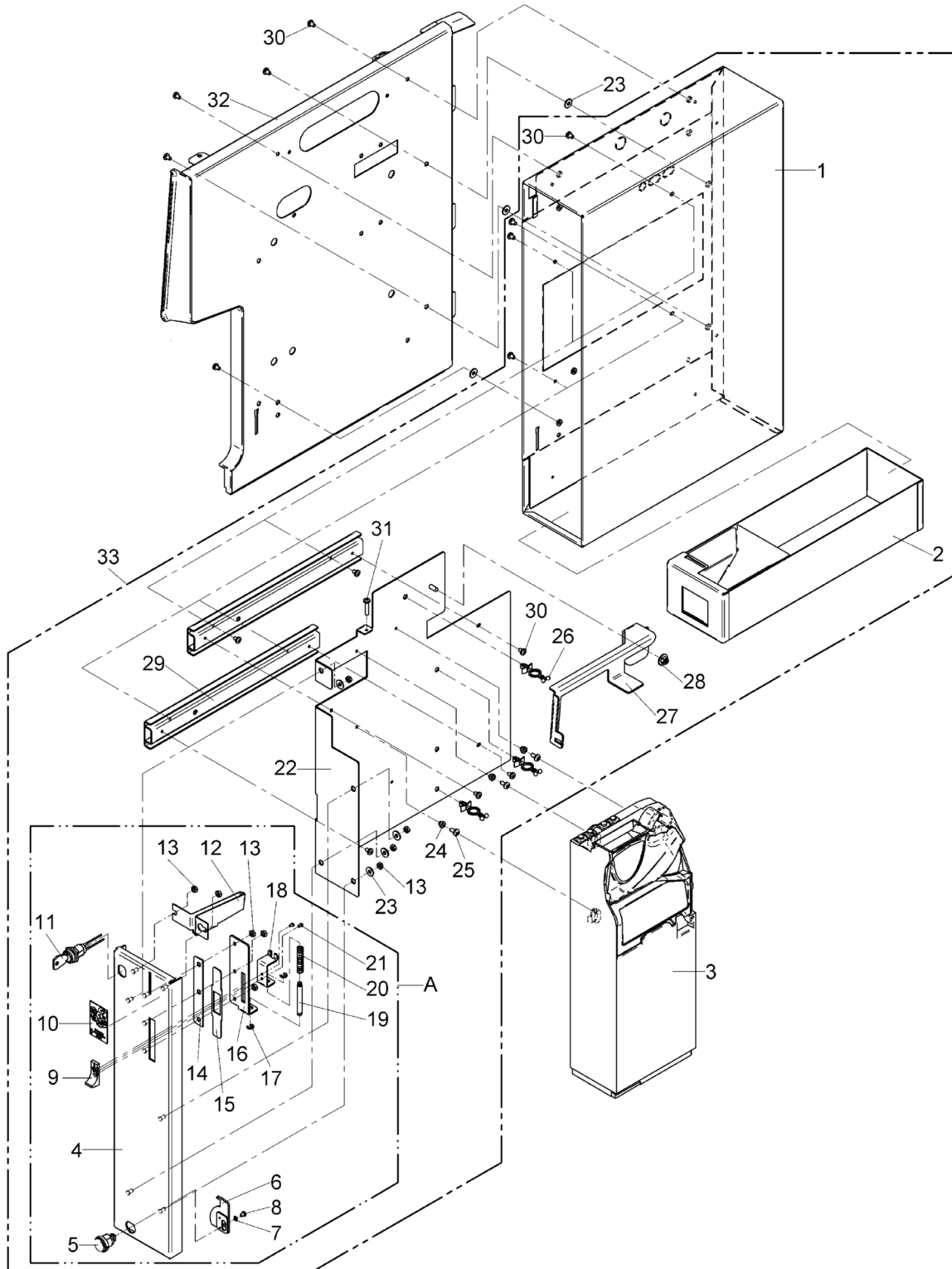
| Pos. | Art.-Nr.<br>Art. no. | Bezeichnung<br>Tech-Info<br>Service-Info          | Designation<br>Tech-Info<br>Service-Info          | EA1 | EA2 |
|------|----------------------|---|---|-----|-----|
| 0    | 33.4112.3000         | Kabelsatz, MDB                                    | cable set, MDB                                    | -   | -   |
| 0    | 33.2263.4000         | Kabel MP- MDB                                     | Cabel MP- MDB                                     | -   | -   |
| 1    | 33.2825.1000         | Münzprüfergehäuse<br>ohne Münzprüfer-Einsatz      | coin checker housing<br>w/o coin checker insert   | -   | -   |
| 2    | 33.2825.3000         | Verkleidung                                       | cover   | -   | -   |
| 3    | 33.2825.2000         | Behälter  | hopper  | -   | -   |
| 4    | 33.1529.1000         | Zylinderschloss                                   | cylinder lock                                     | -   | -   |
| 5    | 33.0714.2000         | Schließhebel                                      | locking lever                                     | -   | -   |
| 6    | 00.0047.3313         | Flkpf-Schraube ISO 7045-M 3x<br>5-1.4301-H        | pan head screw ISO 7045-M 3x<br>5-1.4301-H        | -   | -   |
| 7    | 33.2212.9000         | Griff   | handle  | -   | -   |
| 8    | 00.0047.3358         | Flkpf-Schraube ISO 7045-M 4x<br>6-1.4301-H        | pan head screw ISO 7045-M 4x<br>6-1.4301-H        | -   | -   |
| 9    | 33.2323.5000         | Einlage   | inlay   | -   | -   |
| 10   | 33.2263.2100         | Münzprüfer, MDB<br>CH                             | coin checker, MDB<br>CH                           | -   | -   |
| 10   | 33.2263.2200         | Münzprüfer, MDB<br>GB                             | coin checker, MDB<br>GB                           | -   | -   |
| 10   | 33.2263.2500         | Münzprüfer, MDB<br>Token, Coffee Center, Schweden | coin checker, MDB<br>Token, Coffee Center, Sweden | -   | -   |
| 10   | 33.2263.2400         | Münzprüfer, MDB<br>Norwegen/Schweden              | coin checker, MDB<br>Norway/Sweden                | -   | -   |
| 10   | 33.2263.2900         | Münzprüfer, MDB<br>Dänemark                       | coin checker, MDB<br>Denmark                      | -   | -   |
| 10   | 33.2263.2000         | Münzprüfer, MDB<br>Euro                           | coin checker, MDB<br>Euro                         | -   | -   |
| 11   | 00.0047.2197         | Scheibe ISO<br>7093-1-4-200HV-1.4301              | washer ISO 7093-1-4-200HV-1.4301                  | -   | -   |
| 12   | 33.2825.7000         | Winkel, Federblech, kpl.                          | angle, spring plate, compl.                       | -   | -   |



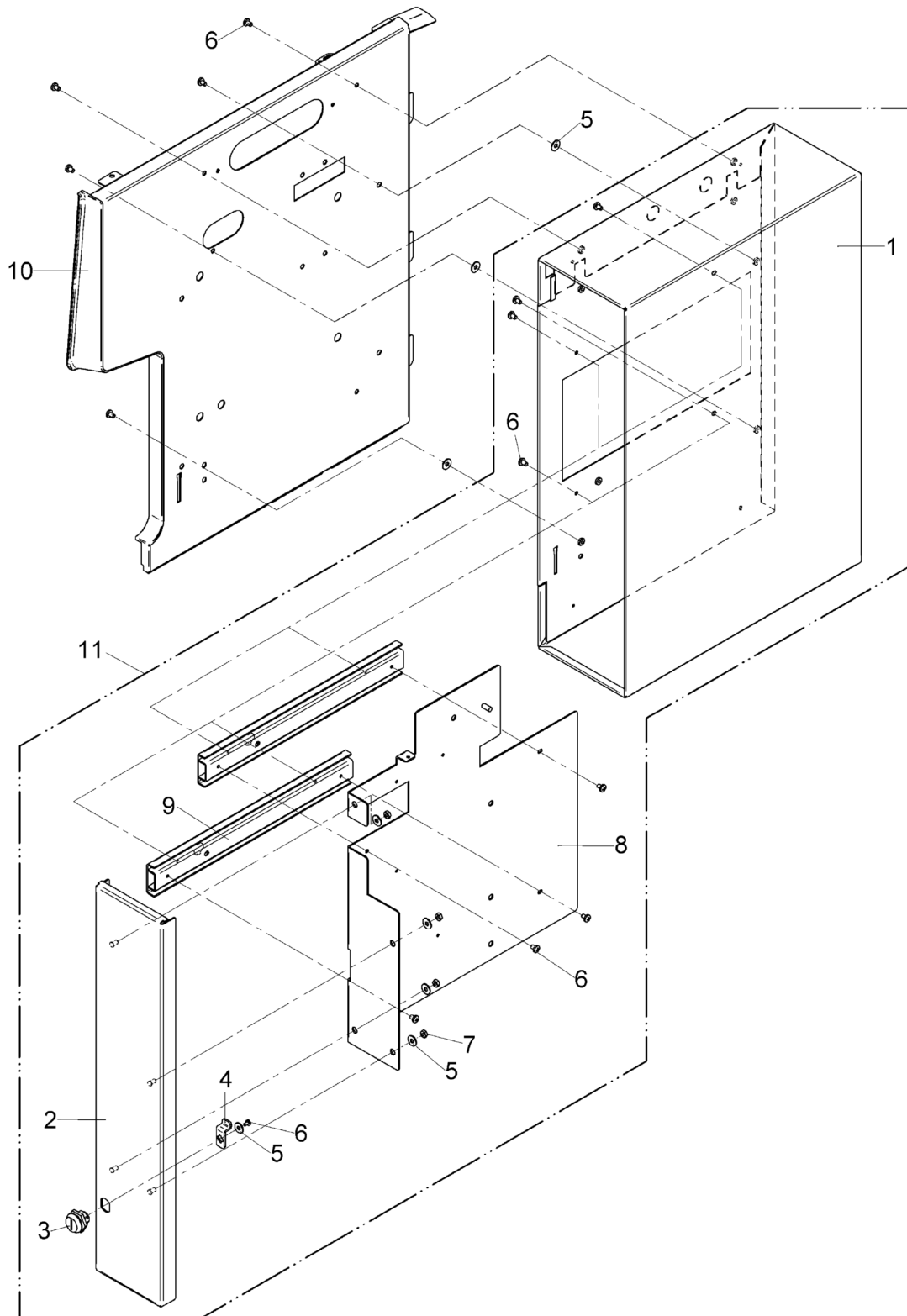
| Pos. | Art.-Nr.<br>Art. no. | Bezeichnung<br>Tech-Info<br>Service-Info | Designation<br>Tech-Info<br>Service-Info | EA1 | EA2 |
|------|----------------------|--|--|-----|-----|
| 13   | 00.0047.2049         | Sechskantmutter ISO 4032-M<br>4-1.4301   | hexagonnut ISO 4032-M 4-1.4301           | -   | -   |
| 14   | 33.2323.7000         | Winkel<br>kpl.                           | angle<br>compl.                          | -   | -   |
| 15   | 33.9506.5000         | Klebeschild                              | adhesive labels                          | -   | -   |
| 16   | 33.2327.8000         | Schild<br>Euro                           | label<br>Euro                            | -   | -   |
| 17   | 33.2322.9000         | Halterung, Schild                        | holder, label                            | -   | -   |
| 18   | 33.2287.4000         | Bolzen                                   | bolt                                     | -   | -   |
| 19   | 33.2881.4100         | Seitenwand, rechts                       | side cover, right                        | -   | -   |
| A    | 33.2826.5000         | Schloss mit Schließhebel<br>kpl.         | lock with locking lever<br>compl.        | -   | -   |
| B    | 33.2826.7000         | Münzkassette, kpl.                       | coin cartridge, compl.                   | -   | -   |



| Pos. | Art.-Nr.<br>Art. no. | Bezeichnung<br>Tech-Info<br>Service-Info                                   | Designation<br>Tech-Info<br>Service-Info          | EA1 | EA2 |
|------|----------------------|--|---|-----|-----|
| 0    | 33.4112.3000         | Kabelsatz, MDB   | cable set, MDB                                    | -   | -   |
| 0    | 33.4087.9000         | Adapterkabel   | adapter cable                                     | -   | -   |
| 0    | 33.4247.8000         | Blech, Abdeckung<br>nur bei Vorbereitung MW + KL                           | plate, cover                                      | -   | -   |
| 0    | 33.4248.3000         | Spreizniet<br>nur bei Vorbereitung MW + KL                                 | expanding rivet                                   | -   | -   |
| 0    | 00.0047.3361         | Flkpf-Schraube ISO 7045-M 4x<br>8-1.4301-H<br>nur bei Vorbereitung MW + KL | pan head screw ISO 7045-M 4x<br>8-1.4301-H        | -   | -   |
| 1    | 33.2827.0000         | Verkleidung, kpl.  | cover, compl.                                     | -   | -   |
| 2    | 33.2826.9000         | Münzkassette, kpl.   | coin cartridge, compl.                            | -   | -   |
| 3    | 33.2589.3000         | Kombi-Münztubenkassette<br>Münzwechsler 7900 MDB                           | combo coin tube cassette<br>coin changer 7900 MDB | -   | -   |
| 3    | 33.2108.1299         | Münzwechsler<br>7900 MDB   | coin changer<br>7900 MDB                          | -   | -   |
| 4    | 33.2328.7000         | Bedienblende   | operating panel                                   | -   | -   |
| 5    | 33.1529.1000         | Zylinderschloss<br>mit Schlüssel   | cylinder lock<br>with key                         | -   | -   |
| 6    | 33.2826.2000         | Schließhebel, kpl.   | locking lever, compl.                             | -   | -   |
| 7    | 00.0047.2250         | Zahnscheibe DIN 6797-A 3,2-1.4300  | tooth lock washer DIN 6797-A 3,<br>2-1.4300       | -   | -   |
| 8    | 00.0047.3313         | Flkpf-Schraube ISO 7045-M 3x<br>5-1.4301-H                                 | pan head screw ISO 7045-M 3x<br>5-1.4301-H        | -   | -   |
| 9    | 33.1482.4000         | Schieber   | slider  | -   | -   |
| 10   | 33.2336.6000         | Klebeschild<br>Münzwechsler  | adhesive labels<br>coin changer                   | -   | -   |
| 11   | 33.2331.5000         | Schlüsselschalter, kpl.  | switch lock, compl.                               | -   | -   |
| 13   | 00.0047.2049         | Sechskantmutter ISO 4032-M<br>4-1.4301                                     | hexagonnut ISO 4032-M 4-1.4301                    | -   | -   |
| 14   | 33.1179.5000         | Führung  | guide   | -   | -   |



| Pos. | Art.-Nr.<br>Art. no. | Bezeichnung<br>Tech-Info<br>Service-Info | Designation<br>Tech-Info<br>Service-Info     | EA1 | EA2 |
|------|----------------------|--|--|-----|-----|
| 15   | 33.1180.7000         | Platte                                   | plate  | -   | -   |
| 16   | 33.1179.4000         | Führung                                  | guide  | -   | -   |
| 17   | 00.0047.2245         | Sicherungsscheibe DIN 6799-4-1.4122      | locking washer DIN 6799- 4-1.4122            | -   | -   |
| 18   | 33.1179.6100         | Winkel                                   | angle  | -   | -   |
| 19   | 33.1368.2000         | Bolzen                                   | bolt   | -   | -   |
| 20   | 33.0191.4000         | Druckfeder                               | pressure spring                              | -   | -   |
| 21   | 00.0047.3656         | EJOT PT-Schraube KA 25x 5-WN 1412-A2     | EJOT PT-screw KA 25x 5-WN 1412-A2            | -   | -   |
| 22   | 33.2327.4000         | Winkel, Führung                          | angle, guide                                 | -   | -   |
| 23   | 00.0047.2197         | Scheibe ISO 7093-1-4-200HV-1.4301        | washer ISO 7093-1-4-200HV-1.4301             | -   | -   |
| 24   | 33.1310.2000         | Hülse                                    | sleeve                                       | -   | -   |
| 25   | 00.0047.3361         | Flkpf-Schraube ISO 7045-M 4x 8-1.4301-H  | pan head screw ISO 7045-M 4x 8-1.4301-H      | -   | -   |
| 26   | 33.1502.2000         | Kabelhalterung                           | cable support                                | -   | -   |
| 27   | 33.2334.4000         | Winkel<br>Betätigungshebel               | angle<br>actuation lever                     | -   | -   |
| 28   | 00.0047.2101         | Comby-SHB-Mutter-M5-Selbstsichernd-A2K   | Comby-SHB-nut-M5-Selbstsichernd-A2K          | -   | -   |
| 29   | 33.2333.1000         | Teleskopschiene<br>Paar                  | telescoping rail<br>pair                     | -   | -   |
| 30   | 00.0047.3358         | Flkpf-Schraube ISO 7045-M 4x 6-1.4301-H  | pan head screw ISO 7045-M 4x 6-1.4301-H      | -   | -   |
| 31   | 00.0047.3368         | Flkpf-Schraube ISO 7045-M 4x20-1.4301-H  | pan head screw ISO 7045-M 4x20-1.4301-H      | -   | -   |
| 32   | 33.4710.3099         | Seitenwand, rechts, kpl.,<br>Anbaugeräte | side cover, right, cpl., add-on<br>equipment | -   | -   |
| A    | 33.2819.3000         | Bedienblende, kpl.<br>Münzwechsler       | operating panel, compl.<br>coin changer      | -   | -   |



| Pos. | Art.-Nr.<br>Art. no. | Bezeichnung<br>Tech-Info<br>Service-Info                                   | Designation<br>Tech-Info<br>Service-Info     | EA1 | EA2 |
|------|----------------------|--|--|-----|-----|
| 0    | 33.4112.3000         | Kabelsatz, MDB   | cable set, MDB                               | -   | -   |
| 0    | 33.4248.3000         | Spreizniet<br>nur bei Vorbereitung MW + KL                                 | expanding rivet                              | -   | -   |
| 0    | 33.4247.8000         | Blech, Abdeckung<br>nur bei Vorbereitung MW + KL                           | plate, cover                                 | -   | -   |
| 0    | 00.0047.3361         | Flkpf-Schraube ISO 7045-M 4x<br>8-1.4301-H<br>nur bei Vorbereitung MW + KL | pan head screw ISO 7045-M 4x<br>8-1.4301-H   | -   | -   |
| 0    | 33.4087.9000         | Adapterkabel   | adapter cable                                | -   | -   |
| 1    | 33.2808.4000         | Verkleidung  | cover  | -   | -   |
| 1    | 33.2808.4100         | Verkleidung  | cover  | -   | -   |
| 2    | 33.2355.2000         | Bedienblende   | operating panel                              | -   | -   |
| 3    | 33.2071.8000         | Zylinderschloss  | cylinder lock                                | -   | -   |
| 4    | 33.2119.3000         | Schließhebel   | locking lever                                | -   | -   |
| 5    | 00.0047.2197         | Scheibe ISO<br>7093-1-4-200HV-1.4301                                       | washer ISO 7093-1-4-200HV-1.4301             | -   | -   |
| 6    | 00.0047.3358         | Flkpf-Schraube ISO 7045-M 4x<br>6-1.4301-H                                 | pan head screw ISO 7045-M 4x<br>6-1.4301-H   | -   | -   |
| 7    | 00.0047.2049         | Sechskantmutter ISO 4032-M<br>4-1.4301                                     | hexagonnut ISO 4032-M 4-1.4301               | -   | -   |
| 8    | 33.2327.4000         | Winkel, Führung  | angle, guide                                 | -   | -   |
| 9    | 33.2333.1000         | Teleskopschiene  | telescoping rail                             | -   | -   |
| 10   | 33.4710.3099         | Seitenwand, rechts, kpl.,<br>Anbaugeräte                                   | side cover, right, cpl., add-on<br>equipment | -   | -   |
| 11   | 33.2808.8000         | Kartenleser  | card reader                                  | -   | -   |



| Pos. | Art.-Nr.<br>Art. no. | Bezeichnung<br>Tech-Info<br>Service-Info    | Designation<br>Tech-Info<br>Service-Info    | EA1 | EA2 |
|------|----------------------|---|---|-----|-----|
| 1    | 33.3320.3000         | Nachr.Satz Füße 100mm<br>1500/5000/9000     | Retrof.kit feet 100mm<br>1500/5000/9000     | -   | -   |
| 2    | 33.3330.2000         | Nachr.Satz Füße 40mm<br>1100/1500/5000/9000 | Retrof.kit feet 40mm<br>1100/1500/5000/9000 | -   | -   |
| 4    | 33.3332.8000         | Nachrüstsatz, Füße, 60mm für<br>1500/5000   | retrofit kit, feet, 60mm for 9192           | -   | -   |
| 5    | 33.3322.8000         | Nachrüstsatz, Tassenanschlag<br>-8800/ff.   | Cup stopper -8800/1910/1900                 | -   | -   |
| 6    | 33.3324.4000         | Nachrüstsatz, MW o.<br>Einsatz-1910/1950    | retrofit kit, coin changer w/o<br>ins.-1910 | -   | -   |
| 7    | 33.3324.5000         | Nachrüstsatz, MW m.<br>Einsatz-1910/1950    | retrofit kit coin changer w.<br>insert-1910 | -   | -   |
| 8    | 33.3324.6000         | Nachrüstsatz, MP o.<br>Einsatz-1910/1950    | retrofit kit coin checker w/o ins.-1910     | -   | -   |
| 9    | 33.3324.7000         | Nachrüstsatz, MP m.<br>Einsatz-1910/1950    | retrofit kit coin checker w.<br>insert-1910 | -   | -   |
| 10   | 33.3324.8000         | Nachrüstsatz, KL o.<br>Einsatz-1910/1950    | retrofit kit Card Reader w/o<br>insert-1910 | -   | -   |
| 11   | 33.3321.2000         | Nachrüstsatz, Satz durch<br>Theke-1900/ff.  | retrofit kit grounds disposal through<br>co | -   | -   |
| 12   | 33.3332.5000         | Nachrüstsatz, Seitenwand, VKG<br>Sirup      | retrofitkit, side cover, VKG syrup          | -   | -   |
| 13   | 33.3331.0100         | Nachrüstsatz, CM Gateway, JP                | Retrofit Kit, CM Gateway, JP                | -   | -   |
| 14   | 33.3331.0200         | Nachrüstsatz, CM Gateway, US                | Retrofit Kit, CM Gateway, US                | -   | -   |
| 16   | 33.3331.0400         | Nachrüstsatz, CM Gateway, AU                | Retrofit Kit, CM Gateway, AU                | -   | -   |
| 18   | 33.3331.0600         | Nachrüstsatz, CM Gateway, RU                | Nachrüstsatz, CM Gateway, RU                | -   | -   |
| 19   | 33.3331.0000         | Nachrüstsatz, CM Gateway, EU                | Retrofit Kit, CM Gateway, EU                | -   | -   |
| 20   | 33.3333.0000         | Nachrüstsatz, 24V-Reset<br>KL-1920/1950     | retrofit kit, 24V-Reset card reader         | -   | -   |
| 21   | 33.3325.1000         | Nachrüsts. Ser. Schnittst.oKS<br>-1900-1950 | retrofit kit serial interface without wa    | -   | -   |



| <b>Pos.</b> | <b>Art.-Nr.<br/>Art. no.</b> | <b>Bezeichnung<br/>Tech-Info<br/>Service-Info</b> | <b>Designation<br/>Tech-Info<br/>Service-Info</b> | <b>EA1</b> | <b>EA2</b> |
|-------------|------------------------------|---|---|------------|------------|
| 22          | 33.2808.2000                 | Abwasserkanister_13l_mit_Vollmel-<br>dung         |   | -          | -          |